



USER MANUAL

MICROWAVE OVEN



The illustration is a reference image, your device may differ.

Read this manual carefully and keep it for future reference.

AMW2701

IMPORTANT SAFEGUARDS	4
INSTALLATION	6
CLEANING	7
PRODUCT INSTRUCTION	9
OPERATION OF CONTROL PANEL	11
OPERATION	13
UTENSILS GUIDELINE	14
COOKING TIPS.....	14
MAINTENANCE.....	16

SAVE THESE INSTRUCTIONS

IMPORTANT SAFEGUARDS

WARNING: If the door or door seals are damaged, the oven must not be operated until it has been repaired by a trained person.

WARNING: It is hazardous for anyone other than a trained person to carry out any service or repair operation, which involves the removal of any cover, which gives protection against exposure to microwave energy. **WARNING:** Liquids or other food must not be heated in sealed containers since they are liable to explode.

1. Only use utensils that are suitable for use in microwave ovens.
2. Metallic containers for food and beverages are not allowed during microwave cooking.
3. When heating food in plastic or paper containers, keep an eye on the oven due to the possibility of ignition.
4. The microwave oven is intended for heating food and beverages. Drying of food or clothing and heating of warming pads, slippers, sponges, damp cloth and similar may lead to risk of injury, ignition or fire.
5. If smoke is observed, switch off or unplug the appliance and keep the door closed in order to stifle any flames microwave heating of beverages can result in delayed eruptive boiling, therefore care has to be taken when handling the container.
6. The contents of feeding bottles and baby food jars are to be stirred or shaken and the temperature is to be checked before consumption, in order to avoid burns.
7. Eggs in their shell and whole hard-boiled eggs shall not be heated in microwave ovens since they may explode, even after microwave heating has ended.
8. Failure to maintain the oven in a clean condition could lead to deterioration of the surface that could adversely affect the life of the appliance and possibly result in a hazardous situation.

9. The appliance must not be placed in a cabinet.
10. Care should be taken not to displace the turntable when removing containers from the appliance.
11. The appliance shall not be cleaned with a steam cleaner.

Warning: When the appliance is operated in the combination mode, children should only use the oven under adult supervision due to the temperatures generated.



CAUTION: HOT SURFACE

12. If the supply cord is damaged, it must be replaced by the manufacturer or its service agent or a similarly qualified person in order to avoid a hazard.
13. This appliance can be used by children aged from 8 years and above and persons with reduced physical, sensory or mental capabilities or lack of experience and knowledge if they have been given supervision or instruction concerning use of the appliance in a safe way and understand the hazards involved.
14. Children shall not play with the appliance.
15. Cleaning and user maintenance shall not be made by children without supervision.
16. Do not directly put cold water into the glass plate after use. It needs to place the glass plate for at least 20 minutes, and then put it into the water to avoid cracking.
17. Group 2 Class B appliance

Group 2 ISM equipment: group 2 contains all ISM equipment in which radio-frequency energy is intentionally generated and/or used in the form of electromagnetic radiation for the treatment of material, and EDM and arc welding equipment.

Class B equipment is equipment suitable for use in domestic establishments and in establishments directly connected to a

low voltage power supply network which supplies buildings used for domestic purposes.

18. This product internal light source LED light on < 60lm.
19. "To be in compliance EN 61000-3-11, the product shall be connected only to a supply of the system impedance: $|Z_{sys}| = 0.40089$ ohms or less. Before connect the product to public power network, please consult your local power supply authority to ensure the power network meet above requirement."
20. After plug in or complete of operating, the appliance go into off mode, off mode: < 0.3W.

INSTALLATION

1. Take out all the packing. If there is a safe film over the oven, tear it off before use. Check carefully for damage. If any, immediately notify dealer or send to the manufacturer's service center.
2. Microwave ovens must be placed under dry and non-corrosiveness environments, kept away from heat and humidity, such as gas burner or water tank.
3. To ensure sufficient ventilation, the distance of the back of microwave to the wall should be at least 20 cm, the side to the wall should be at least 5 cm, the free distance above the top surface at least 20 cm. the distance of the microwave to the ground should be at least 85 cm.
4. The position of the oven shall be such that it is far from the TV,

Radio or antenna as picture disturbance, or noise may occur. The distance should be more than 5m.

5. The appliance must be positioned so that the plug is accessible, and must ensure a good grounding in case leakage, ground loop can be formed to avoid electric shock.
6. The microwave oven must be operated with the door closed.
7. The microwave oven must not be placed in a cabinet. The microwave oven is intended to be used freestanding. This appliance is intended for domestic use only.
8. As there is manufacturing residue or oil remained on the oven cavity or heat element, it usually would smell the odor, even a slight smoke, It is normal case and would not occur after several times use, keep the door or window open to ensure good ventilation. So it is strongly recommended to place a cup of water in the cavity, setting at high power and operate for several times.

CLEANING

MICROWAVE OVEN CARE

CAUTION

The oven should be cleaned regularly and any food deposits removed.

WARNING

- a. Remove the power cord from the wall outlet before cleaning. After cooling products. Don't immerse the appliance in water or other fluids when cleaning.
- b. Failure to maintain the oven in a clean condition could lead to deterioration of the surface that could adversely affect the life of the appliance and possibly result in a hazardous situation.
- c. Never use hard detergent, gasoline, abrasive powder or metal brush to clean any part of the appliance.
- d. Do not remove the waveguide cover.
- e. When the microwave oven has been used for a long time, there may be some strange odors exist in oven, following 3 methods can get rid of them:

- 1) Place several lemon slices in a cup, then heat with high micro power for 2-3 min.
 - 2) Place a cup of red tea in oven, then heat with high micro power.
 - 3) Put some orange peel into oven, and then heat them with high micro power for 1 minute.
- f. When the product is not used, it should be placed in dry and ventilated areas as well as possible.



WARNING

Details how to clean surfaces in contact with food:

After use wipe the waveguide cover with a damp cloth, followed by dry cloth to remove any food splashes and grease. Built-up grease may overheat and begin to cause smoke or catch fire.

TIPS FOR CLEANING

Details for cleaning door seals, cavity and adjacent parts:

Exterior:

Wipe the enclosure with a dampened soft cloth

Door:

Using a dampened soft cloth, wipe clean the door and window

Wipe the door seals and adjacent parts to remove any spill or spatter

Wipe the control panel with a slightly dampened soft cloth

Interior walls:

Wipe clean the interior surfaces with a dampened soft cloth

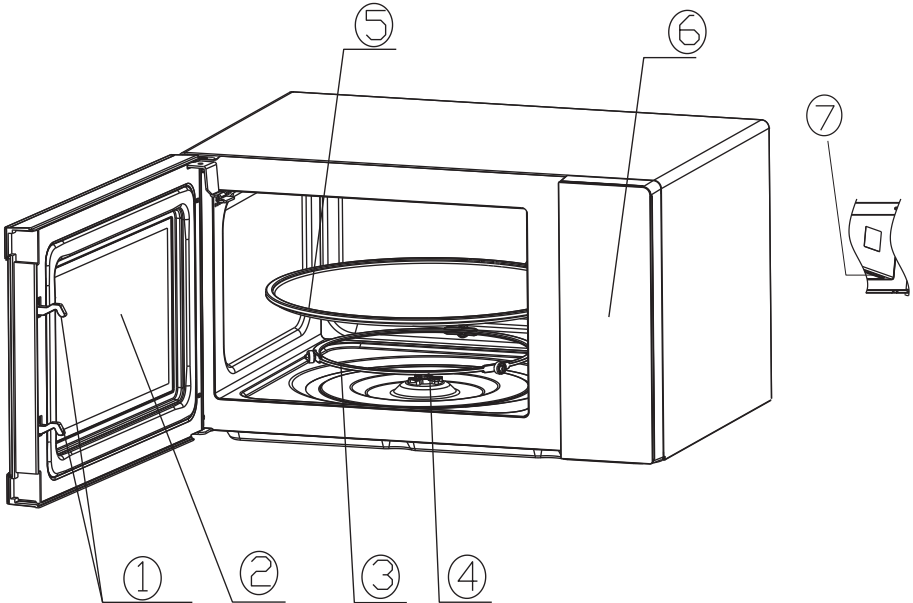
Wipe clean the waveguide cover to remove any food splashed

Turntable / Rotation ring / Rotation axis:

Wash with mild soap water

Rinse with clean water and allow drying thoroughly

PRODUCT INSTRUCTION



1) Door lock

Microwave oven door must be properly closed in order for it to operate

2) Viewing window

Allow user to see the cooking status

3) Rotating ring

The glass turntable sits on its wheels; it supports the turntable and helps it to balance when rotating

4) Rotating axis

The glass turntable sits on the axis; the motor underneath it drives the turntable to rotate

5) Turntable

The food sits on the turntable, its rotation during operation helps to cook food evenly

CAUTION

- Place the rotating ring first

- Fit the turntable onto the rotating axis and make sure that it is geared in properly

6) Control panel

See below in details (the control panel is subject to change without prior notice)

7) Waveguide cover

It is inside the microwave oven, next to the wall of control panel.

WARNING

Never remove the waveguide cover

WARNING

Remember to regularly clean the small interior mica plate placed on the right to prevent burning.

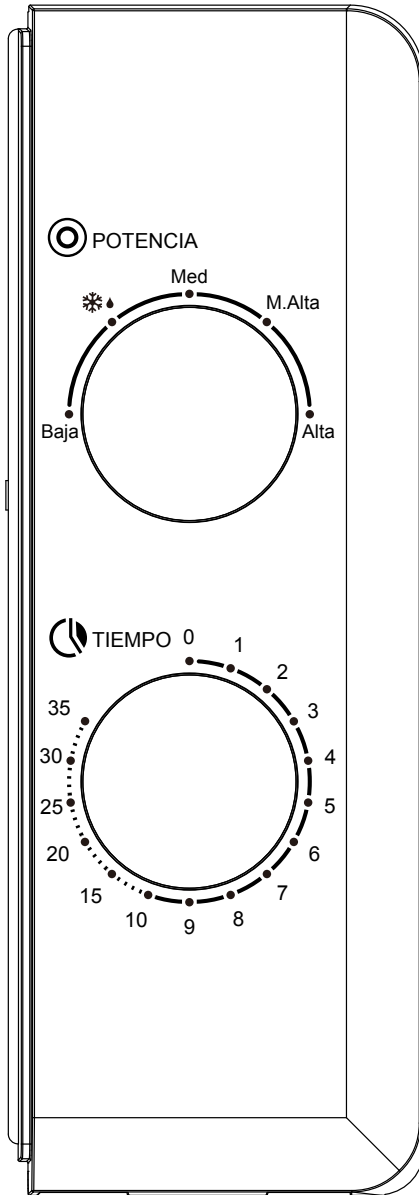
HOW TO CLEAN THE MICA PLATE

1. **Turn off and unplug the microwave.** Make sure the microwave is turned off and unplugged to avoid accidents.
2. **Dampen a cloth or sponge with water.** Do not use harsh chemicals or abrasive sponges, as they can damage the mica!
3. **Wipe gently.** Wipe the damp cloth or sponge over the mica to remove grease and dirt residue. Do not apply too much pressure to avoid damaging the material!
4. **Dry.** After wiping with the damp cloth, wipe the mica with a clean, completely dry cloth.

Note: A damaged mica can affect the operation of the microwave and be a safety risk.



OPERATION OF CONTROL PANEL



1. CLOCK SETTING

The maximum setting is 35 minutes, there is a ringtone at the end, and the knob returns to the “0” position.

2. MICROWAVE FUNCTION

No.	ENERGÍA DE MICROONDAS	RELACIÓN DE SALIDA DE MICROONDAS
1	Baja	17% de potencia de salida
2	Descongelar/M.Baja	30% de potencia de salida
3	Med	55% de potencia de salida
4	M.Alta	80% de potencia de salida
5	Alta	100% de potencia de salida

Below is some food defrosting time advice:

No.	Weight (g)	Defrost time
1	200g	About 4 minutes
2	400g	About 8 minutes
3	600g	About 12 minutes

OPERATION

1) Connect the cord

-Before connecting the cord, make sure the timer is set to “0” position.

- Do not block the ventilation.

2) Place the food on the glass turntable tray and close the door

- Food must be contained in a utensil.

- Do not operate the microwave oven without load, otherwise it will cause damage to the microwave oven.

3) Select the desired microwave power level.

4) Set the timer.

If the desired time is less than 2 minutes, turn the microwave power knob to over 3 minutes position and then turn back to the desired time setting.

5) Once the desired time is set, the cooking begins. If pausing in midway is needed, just open the door at any time, and close it to resume operation.

6) When it times out and cooking ends, the microwave oven produces a bell ring, the inside lamp will also be automatically turned off.

If food is removed before time out, make sure to set back the timer to “0” position, this avoids the microwave oven from operating in empty load.

7) It is recommended to wear gloves when removing the cooked food from oven and be careful do not touch the inner wall of cavity.

CAUTION

Heating food fast, generally only 2 to 3 minutes, please control in 5 minutes. Please pay attention to the cooking condition of the food at any time and adjust it according to your taste preference. Avoid overheating. When heating porridge, congee, should first stir evenly, and then covered with plastic film (leave corners for

ventilation) or with a perforated lid heating.

At mid-point to defrosting time, please open the door to turn the food, so that the defrosting effect is more uniform.

UTENSILS GUIDELINE

Depending on the cooking method, it is necessary to choose a safe and suitable vessel. If it is not properly selected, it will not only affect the cooking effect, but also cause damage to the vessel or microwave oven. Please refer to the table below for use:

Material of container	Microwave	Notes
Heat-resistant ceramic	Yes	Never use the ceramics which are decorated with metal rim or glazed. Recommend using ceramic, heat-resistant glass, and plastic containers that can withstand temperatures above 120°C.
Heat-resistant plastic	Yes	Cannot be used for long time microwave cooking
Heat-resistant glass	Yes	
Grill rack	No	
Plastic film	Yes	It should not be used when cooking meat or chops as the over-temperature may do damage to the film

COOKING TIPS

The following factors may affect the cooking result:

Food arrangement

Place thicker areas towards outside of dish, the thinner part

towards the centre and spread it evenly. Do not overlap if possible.

Cooking time length

Start cooking with a short time setting, evaluate it after it times out and extend it according to the actual need. Over cooking may result in smoke and burns.

Cooking food evenly

Food such as chicken, hamburger or steak should be turned once during cooking.

Depending on the type of food, if applicable, stir it from outside to centre of dish once or twice during cooking.

Allow standing time

After cooking times out, leave the food in the oven for an adequate length of time, this allows it to complete its cooking cycle and cooling it down in a gradual manner.

Whether the food is done

Color and hardness of food help to determine if it is done, these include:

- Steam coming out from all parts of food, not just the edge
- Joints of poultry can be moved easily
- Pork or poultry shows no signs of blood
- Fish is opaque and can be sliced easily with a fork

Browning dish

When using a browning dish or self-heating container, always place a heat-resistant insulator such as a porcelain plate under it to prevent damage to the turntable and rotating ring.

Microwave safe plastic wrap

When cooking food with high fat content, do not allow the plastic wrap come into contact with food as it may melt.

Microwave safe plastic cookware

Some microwave safe plastic cookware might not be suitable for cooking foods with high fat and sugar content. Also, the

preheating time specified in the dish instruction manual must not be exceeded.

MAINTENANCE

SERVICING

Please check the following before calling for services.

1. Place one cup of water (approx.150ml) in a glass measure in the oven and close the door securely. Oven lamp should go off if the door is closed properly. Let the oven work for 1 min.
2. Does the oven lamp light?
3. Does the cooling fan work?
(Put your hand over the rear ventilation openings.)
4. Does the turntable rotate?
(The turntable can rotate clockwise or counter clockwise. This is quite normal.)
5. Is the water inside the oven hot?

If “NO” is the answer to any of the above questions, please check your wall socket and the fuse in your meter box.

If both the wall socket and the fuse are functioning properly, CONTACT YOUR NEAREST SERVICE CENTER APPROVED.

SERVICING SAFEGUARDS

Caution: MICROWAVE RADIATION

1. The high voltage capacitor remains charge after disconnection; short the negative terminal of H. V capacitor to the oven chassis (use a screwdriver) to discharge before touching.
2. During servicing below listed parts are liable to be removed and give access to potentials above 250V to earth.
 - Magnetron
 - High voltage transformer
 - High voltage capacitor
 - High voltage diode
 - High voltage fuse

The actual configuration in order to prevail in kind.

3. The following conditions may cause undue microwave exposure during servicing.
- Improper fitting of magnetron;
 - Improper matching of door interlock, door hinge and door;
 - Improper fitting of switch support;
 - Door, door seal or enclosure has been damaged.

Correct disposal of this product



This marking indicates that this product should not be disposed with other household wastes throughout the EU. To prevent possible harm to the environment or human health from uncontrolled waste disposal, recycle it responsibly to promote the sustainable reuse of material resources. To return your used device, please use the return and collection systems or contact the retailer where the product was purchased. They can take this product for environmental safe recycling.

Package Information



Packaging materials of the product are manufactured from recyclable materials in accordance with our National Environment Regulations. Do not dispose of the packaging materials together with the domestic or other wastes. Take them to the packaging material collection points designated by the local authorities.



MANUAL DE USUARIO

MICROONDAS



La ilustración es una imagen de referencia, su dispositivo puede ser diferente.

Lea este manual atentamente y consérvelo para futuras consultas.

AMW2701

MEDIDAS DE SEGURIDAD IMPORTANTES	21
INSTALACIÓN	24
LIMPIEZA.....	25
INSTRUCCIONES DEL PRODUCTO	27
FUNCIONAMIENTO DEL PANEL DE CONTROL.....	29
OPERACIÓN.....	31
GUÍA DE UTENSILIOS.....	33
CONSEJOS DE COCINA	34
MANTENIMIENTO	36

GUARDE ESTAS INSTRUCCIONES

MEDIDAS DE SEGURIDAD IMPORTANTES

ADVERTENCIA: Si la puerta o los sellos de la puerta están dañados, el horno no debe utilizarse hasta que haya sido reparado por una persona capacitada.

ADVERTENCIA: Es peligroso para cualquier persona que no esté capacitada realizar cualquier operación de servicio o reparación que implique retirar cualquier cubierta que proteja contra la exposición a la energía de microondas. **ADVERTENCIA:** No se deben calentar líquidos ni otros alimentos en recipientes sellados, ya que pueden explotar.

1. Utilice únicamente utensilios aptos para su uso en hornos microondas.
2. No se permiten envases metálicos para alimentos y bebidas. Durante la cocción en microondas.
3. Al calentar alimentos en recipientes de plástico o papel, tenga cuidado en el horno por posibilidad de ignición.
4. El horno microondas está diseñado para calentar alimentos y Bebidas. El secado de alimentos o ropa y el calentamiento de almohadillas térmicas, pantuflas, esponjas, paños húmedos y similares pueden provocar riesgo de lesiones, ignición o incendio.
5. Si observa humo, apague o desenchufe el aparato y Mantenga la puerta cerrada para sofocar cualquier llama. El calentamiento de bebidas con microondas puede provocar un hervor eruptivo retardado, por lo tanto, se debe tener cuidado al manipular el recipiente.
6. El contenido de los biberones y tarritos de comida para bebés debe ser revuelto o agitado y se debe controlar la temperatura antes de consumirlo, para evitar quemaduras.

7. No se permitirán huevos con cáscara ni huevos duros enteros calentados en hornos microondas, ya que pueden explotar, incluso después de finalizar el calentamiento por microondas.
8. No mantener el horno limpio podría provocar deterioro de la superficie que podría afectar negativamente la vida útil del aparato y posiblemente provocar una situación peligrosa.
9. El aparato no debe colocarse dentro de un armario.
10. Se debe tener cuidado de no desplazar el plato giratorio cuando retire los contenedores del aparato.
11. El aparato no debe limpiarse con un limpiador a vapor.

Advertencia: Cuando el aparato funciona en modo combinado, los niños solo deben utilizar el horno bajo la supervisión de un adulto debido a las temperaturas generadas.



PRECAUCIÓN: SUPERFICIE CALIENTE

12. Si el cable de alimentación está dañado, debe ser reemplazado por el fabricante o su agente de servicio o una persona igualmente calificada para evitar un peligro.
13. Este aparato puede ser utilizado por niños a partir de 8 años y superiores y personas con capacidades físicas, sensoriales o mentales reducidas o con falta de experiencia y conocimientos, si han recibido supervisión o instrucciones sobre el uso del aparato de forma segura y comprenden los peligros que conlleva.
14. Los niños no deben jugar con el aparato.
15. La limpieza y el mantenimiento del usuario no deberán ser realizados por niños sin supervisión.
16. No coloque agua fría directamente en la placa de vidrio después de su uso. Es necesario colocar la placa de vidrio durante al menos 20 minutos y luego ponerla en el agua para evitar que se agriete.
17. Aparato doméstico de clase B del grupo 2
Equipos ISM del grupo 2: el grupo 2 contiene todos los equipos ISM en el que se genera y/o utiliza intencionadamente energía de radiofrecuencia en forma de radiación electromagnética

para el tratamiento de material, y equipos de soldadura por arco y por electroerosión.

Los equipos de clase B son equipos adecuados para su uso en el ámbito doméstico. establecimientos y en establecimientos directamente conectados a un

Red de suministro eléctrico de baja tensión que abastece a los edificios. utilizado para fines domésticos.

18. La fuente de luz LED interna de este producto está encendida <60 lm.
19. “Para cumplir con la norma EN 61000-3-11, el producto deberá ser Conectado únicamente a una fuente de alimentación con una impedancia del sistema: $|Z_{sys}| = 0,40089$ ohmios o menos. Antes de conectar el producto a la red eléctrica pública, consulte con la autoridad de suministro de energía local para asegurarse de que la red eléctrica cumpla con los requisitos anteriores.
20. Después de enchufarlo o de terminar de usarlo, el aparato se apaga. modo, modo apagado: <0,3W.

INSTALACIÓN

1. Retire todo el embalaje. Si hay una película protectora sobre el horno, quítelo antes de usarlo. Verifique cuidadosamente si tiene algún daño. Si lo tiene, notifique inmediatamente al distribuidor o envíelo al centro de servicio del fabricante.
2. Los hornos microondas deben colocarse en ambientes secos y no corrosivos, alejados del calor y humedad, como un quemador de gas o un tanque de agua.
3. Para garantizar una ventilación suficiente, la distancia de la parte posterior del microondas a la pared debe ser de al menos 20 cm, y el lateral a la pared debe tener al menos 5 cm, la distancia libre sobre la superficie superior al menos 20 cm. La distancia del microondas al suelo debe ser de al menos 85 cm.
4. La posición del horno deberá ser tal que esté alejado del televisor, radio o antena como perturbaciones en la imagen o puede producirse ruido. La distancia debe ser superior a 5 m.
5. El aparato debe colocarse de manera que el enchufe sea accesible y debe garantizar una buena conexión a tierra en caso de que se pueden formar fugas y bucles de tierra para evitar descargas eléctricas.
6. El horno microondas debe utilizarse con la puerta cerrada.
7. El horno microondas no debe colocarse dentro de un armario. El horno microondas está diseñado para usarse de forma independiente. El aparato está destinado únicamente para uso doméstico.
8. Como quedan residuos de fabricación o aceite en el horno. En la cavidad o elemento calefactor, normalmente se percibe un olor, incluso un ligero humo. Es un caso normal y no se producirá después de varios usos. Mantenga la puerta o la ventana abiertas para garantizar una buena ventilación. Por lo tanto, se recomienda encarecidamente colocar una taza de agua en la cavidad, configurar a alta potencia y hacer funcionar el aparato varias veces.

LIMPIEZA

CUIDADO DEL HORNO MICROONDAS

Precaución

El horno debe limpiarse periódicamente y cualquier depósito de comida remota.

ADVERTENCIA

- a. Retire el cable de alimentación del tomacorriente de pared antes de limpiarlo. Después de enfriar los productos, no sumerja el aparato en agua ni en otros líquidos durante la limpieza.
- b. No mantener el horno limpio podría provocar deterioro de la superficie que podría afectar negativamente la vida útil del aparato y posiblemente provocar una situación peligrosa.
- c. Nunca utilice detergentes fuertes, gasolina, polvos abrasivos o Cepillo metálico para limpiar cualquier parte del aparato.
- d. No retire la cubierta de la guía de ondas.
- e. Cuando el horno microondas se haya utilizado durante mucho tiempo, Es posible que existan algunos olores extraños en el horno. Siga estos 3 métodos para eliminarlos:
 - 1) Coloque varias rodajas de limón en una taza y luego caliéntelas a potencia máxima durante 2-3 min.
 - 2) Coloque una taza de té rojo en el horno, luego caliéntela con el microondas al máximo de potencia.
 - 3) Ponga algunas cáscaras de naranja en el horno y luego caliéntelas con alta micropotencia durante 1 minuto.
- f. Cuando el producto no se utilice, deberá colocarse en un lugar seco y zonas ventiladas lo mejor posible.

ADVERTENCIA

Detalles sobre cómo limpiar superficies en contacto con alimentos:

Después de su uso, limpie la cubierta de la guía de ondas con un paño húmedo y luego limpie con un paño seco las salpicaduras de comida y la grasa. La grasa acumulada puede sobrecalentarse y comenzar a generar humo o incendiarse.

CONSEJOS PARA LA LIMPIEZA

Detalles para la limpieza de sellos de puertas, cavidades y piezas adyacentes:

Exterior:

Limpie la carcasa con un paño suave humedecido.

Puerta:

Con un paño suave humedecido, limpie la puerta y la ventana. Limpie los sellos de la puerta y las partes adyacentes para eliminar cualquier derrame o salpicadura.

Limpie el panel de control con un paño suave ligeramente humedecido.

Paredes interiores:

Limpie las superficies interiores con un paño suave humedecido.

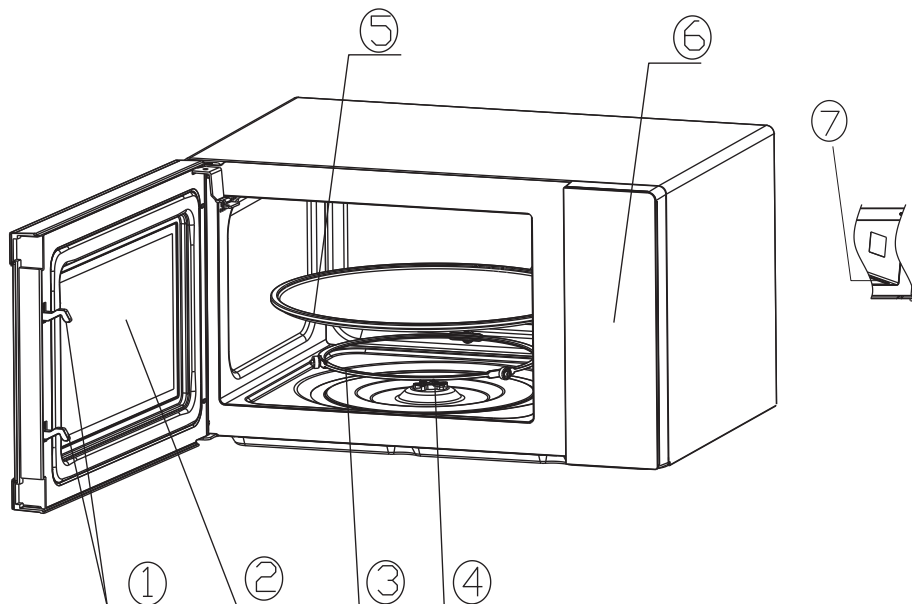
Limpie la cubierta de la guía de ondas para eliminar cualquier resto de comida salpicada.

Plato giratorio / Anillo de rotación / Eje de rotación:

Lavar con agua y jabón suave.

Enjuagar con agua limpia y dejar secar completamente.

INSTRUCCIONES DEL PRODUCTO



1) Cerradura de la puerta

La puerta del horno microondas debe estar bien cerrada para que funcione. funcionar

2) Ventana de visualización

Permitir al usuario ver el estado de la cocción

3) Anillo giratorio

El plato giratorio de cristal se asienta sobre sus ruedas; sostiene el plato giratorio y ayuda a equilibrarlo al girar.

4) Eje giratorio

El plato giratorio de cristal se asienta sobre el eje; el motor que se encuentra debajo lo impulsa. el plato giratorio para girar

5) Plato giratorio

La comida se asienta sobre el plato giratorio, su rotación durante el funcionamiento ayuda para cocinar los alimentos de manera uniforme

⚠ CAUTION

- Coloque primero el anillo giratorio
- Coloque el plato giratorio sobre el eje giratorio y asegúrese de que está engranado correctamente

6) Panel de control

Ver más abajo en detalle (el panel de control está sujeto a cambios sin previo aviso)

7) Cubierta de guía de ondas

Está dentro del horno microondas, al lado de la pared del panel de control.

⚠ ADVERTENCIA

Nunca retire la cubierta de la guía de ondas

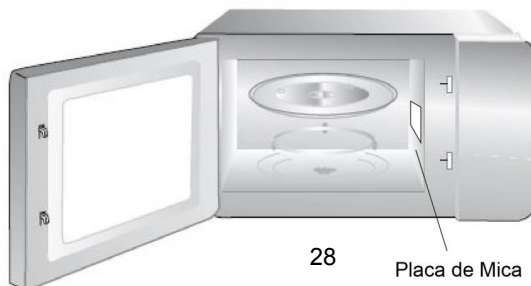
⚠ AVISO

Recuerde limpiar, regularmente, la pequeña placa de mica interior colocada a la derecha, para evitar que se quemé.

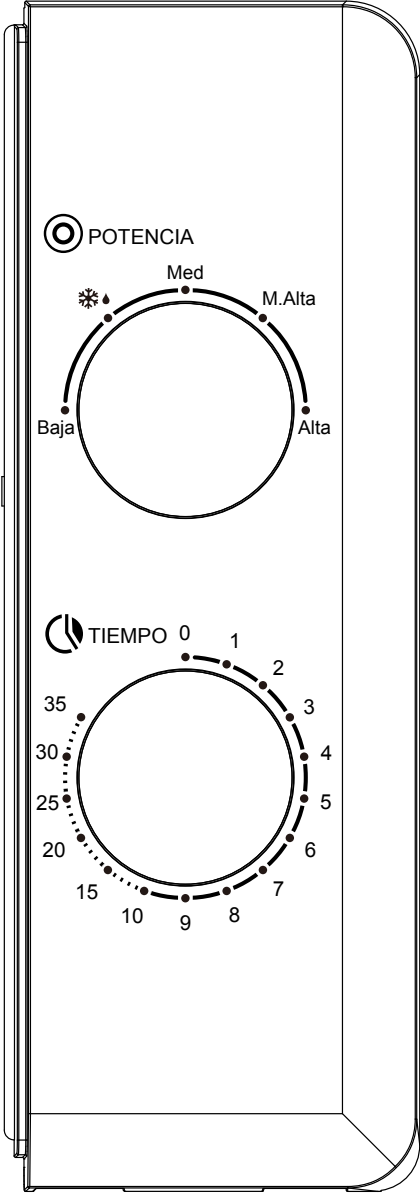
CÓMO LIMPIAR LA PLACA DE MICA

1. **Apague y desenchufe el microondas.** Asegúrese de que el microondas esté apagado y desenchufado para evitar accidentes.
2. **Humedezca un paño o una esponja con agua.** ¡No use productos químicos agresivos ni esponjas abrasivas, ya que pueden dañar la mica!
3. **Limpie suavemente.** Pase el paño o la esponja húmeda sobre la mica para quitar la grasa y restos de suciedad. ¡No ejerza demasiada presión para no dañar el material!
4. **Seque.** Después de haber pasado el paño húmedo, pase un paño limpio y totalmente seco, sobre la mica.

Nota: Una mica en mal estado puede afectar el funcionamiento del microondas y ser un riesgo de seguridad.



FUNCIONAMIENTO DEL PANEL DE CONTROL



1. AJUSTE DEL RELOJ

El ajuste máximo es de 35 minutos, hay un tono de llamada al final, y la perilla vuelve a la posición "0".

2. FUNCIÓN MICROONDAS

No.	ENERGÍA DE MICROONDAS	RELACIÓN DE SALIDA DE MICROONDAS
1	Baja	17% de potencia de salida
2	Descongelar/M.Baja	30% de potencia de salida
3	Med	55% de potencia de salida
4	M.Alta	80% de potencia de salida
5	Alta	100% de potencia de salida

A continuación se ofrecen algunos consejos sobre el tiempo de descongelación de alimentos:

No.	Peso (g)	Tiempo de descongelación
1	200 gramos	Aproximadamente 4 minutos
2	400 gramos	Aproximadamente 8 minutos
3	600 gramos	Aproximadamente 12 minutos

OPERACIÓN

1) Conecte el cable

- Antes de conectar el cable, asegúrese de que el temporizador esté configurado en "0" posición.

- No bloquee la ventilación.

2) Coloque la comida en la bandeja giratoria de vidrio y cierre la puerta.

- Los alimentos deben estar contenidos en un utensilio.

- No utilice el horno microondas sin carga, de lo contrario se quemará. provocar daños al horno microondas.

3) Seleccione el nivel de potencia de microondas deseado.

4) Configura el temporizador.

Si el tiempo deseado es inferior a 2 minutos, apague el microondas. perilla de potencia a la posición de más de 3 minutos y luego gírela nuevamente a la configuración de tiempo deseada.

5) Una vez fijado el tiempo deseado comienza la cocción. Si se hace una pausa en Se necesita un punto intermedio, simplemente abra la puerta en cualquier momento y ciérrela para reanudar la operación.

6) Cuando se agote el tiempo y finalice la cocción, el horno microondas produce un sonido de campana, la lámpara interior también se apagará automáticamente.

Si se retira la comida antes del tiempo de espera, asegúrese de volver a colocar el temporizador en la posición "0", esto evita que el horno microondas funcione con carga vacía.

7) Se recomienda utilizar guantes al retirar los alimentos cocidos. alimentos del horno y tenga cuidado de no tocar la pared interior de la cavidad.

PRECAUCIÓN

Calienta los alimentos rápidamente, generalmente solo de 2 a 3 minutos, por favor controle 5 minutos. Preste atención al estado de cocción de los alimentos en todo momento y ajústelo según sus preferencias de sabor. Evite el sobrecalentamiento. Al calentar papilla, primero debe revolver uniformemente y luego cubrir con film plástico (deje las esquinas para ventilar) o con tapa perforada que se caliente.

A mitad del tiempo de descongelación, abra la puerta para apagar el alimentos, para que el efecto de descongelación sea más uniforme.

GUÍA DE UTENSILIOS

Dependiendo del método de cocción, es necesario elegir un Recipiente seguro y adecuado. Si no se selecciona correctamente, no solo afectará el efecto de cocción, sino que también provocará daños en el recipiente o en el horno microondas. Consulte la siguiente tabla para su uso:

Material del contenedor	Microonda	Notas
Cerámica resistente al calor	Sí	Nunca utilices la cerámica que estén decorados con borde de metal o esmaltados. Se recomienda utilizar recipientes de cerámica, vidrio resistente al calor y plástico que puedan soportar temperaturas superiores a 120 °C.
Plástico resistente al calor	Sí	No se puede utilizar durante mucho tiempo.cocinar en microondas
Vidrio resistente al calor	Sí	
Parrilla para parrilla	No	
Película de plástico	Sí	No debe utilizarse cuando cocinar carne o chuletas ya que el exceso de temperatura puede dañar la película

CONSEJOS DE COCINA

Los siguientes factores pueden afectar el resultado de la cocción:

Disposición de la comida

Coloque las áreas más gruesas hacia el exterior del plato, la parte más Delgada hacia el centro y espárcelo uniformemente. No lo superpongas si es posible.

Duración del tiempo de cocción

Comience a cocinar con un tiempo de cocción corto y evalúelo después de que se agote el tiempo.y extenderlo según la necesidad real. Cocinarlo demasiado puede provocar humo y quemaduras.

Cocinar los alimentos de manera uniforme

Los alimentos como pollo, hamburguesas o filetes deben voltearse una vez.Durante la cocción.

Dependiendo del tipo de alimento, si es el caso, revuélvalo de afuera hacia afuera.centro del plato una o dos veces durante la cocción.

Dejar reposar durante un tiempo

Después de que transcurra el tiempo de cocción, deje la comida en el horno durante un tiempo adecuado, esto le permite completar su ciclo de cocción y enfriarlo de manera gradual.

Si la comida está lista

El color y la dureza de los alimentos ayudan a determinar si están listos, estos incluir:

- Sale vapor de todas partes del alimento, no solo del borde.
- Las articulaciones de las aves de corral se pueden mover fácilmente.
- La carne de cerdo o de ave no muestra signos de sangre.
- El pescado es opaco y se puede cortar fácilmente con un tenedor.

Plato para dorar

Cuando utilice una fuente para dorar o un recipiente autocalentable, siempre Coloque un aislante resistente al calor, como una placa de porcelana, debajo para evitar dañar el plato giratorio y el anillo giratorio.

Envoltorio de plástico apto para microondas

Al cocinar alimentos con alto contenido de grasa, no permita que el plástico No envuelva el alimento en contacto con él, ya que podría derretirse.

Utensilios de cocina de plástico aptos para microondas

Es posible que algunos utensilios de cocina de plástico aptos para microondas no sean adecuados para cocinar alimentos con alto contenido de grasa y azúcar. Además, el tiempo de precalentamiento especificado en el manual de instrucciones del plato no debe ser excedido.

MANTENIMIENTO

MANTENIMIENTO

Por favor verifique lo siguiente antes de llamar al servicio técnico.

1. Coloque una taza de agua (aproximadamente 150 ml) en un vaso medidor dentro del horno y cierre bien la puerta. La lámpara del horno debería apagarse si la puerta está bien cerrada. Deje que el horno funcione durante 1 minuto.

2. ¿Se enciende la lámpara del horno?

3. ¿Funciona el ventilador de refrigeración?

(Coloque la mano sobre las aberturas de ventilación traseras).

4. ¿El plato giratorio gira?

(El plato giratorio puede girar en el sentido de las agujas del reloj o en sentido contrario. Esto es bastante normal.)

5. ¿Está caliente el agua dentro del horno?

Si la respuesta a cualquiera de las preguntas anteriores es "NO", Por favor revise su toma de corriente de pared y el fusible en su caja de medidor.

Si tanto el enchufe de pared como el fusible funcionan correctamente, CONTACTE CON SU CENTRO DE SERVICIO HOMOLOGADO MÁS CERCANO.

MEDIDAS DE SEGURIDAD PARA EL MANTENIMIENTO

Precaución: RADIACIÓN DE MICROONDAS

1. El capacitor de alto voltaje permanece cargado después de la desconexión; cortocircuite el terminal negativo del capacitor de alto voltaje al chasis del horno (use un destornillador) para descargarlo antes de tocarlo.

2. Durante el mantenimiento, las piezas enumeradas a continuación pueden retirarse y dar acceso a potenciales superiores a 250 V a tierra.

- Magnetron
- Transformador de alto voltaje
- Condensador de alto voltaje
- Diodo de alto voltaje
- Fusible de alto voltaje

La configuración real para prevalecer en especie.

3. Las siguientes condiciones pueden provocar un calentamiento excesivo de las microondas: exposición durante el servicio.

- Montaje inadecuado del magnetron;
- Coincidencia incorrecta entre el enclavamiento de la puerta, la bisagra de la puerta y la puerta;
- Montaje inadecuado del soporte del interruptor;
- La puerta, el sello de la puerta o el gabinete están dañados.

Eliminación correcta de este producto



Esta marca indica que este producto no debe utilizarse. Los aparatos usados se eliminan junto con otros residuos domésticos en toda la UE. Para evitar posibles daños al medio ambiente o a la salud humana debido a la eliminación incontrolada de residuos, recíclelos de forma responsable para promover la reutilización sostenible de los recursos materiales. Para devolver su dispositivo usado, utilice los sistemas de devolución y recogida o póngase en contacto con el minorista donde adquirió el producto. Ellos pueden recoger este producto para reciclarlo de forma segura para el medio ambiente.

Información del paquete



Los materiales de embalaje del producto están fabricados a partir de materiales reciclables de acuerdo con nuestra normativa nacional de medio ambiente. No deseche los materiales de embalaje junto con los residuos domésticos o de otro tipo. Lívelos a los puntos de recogida de materiales de embalaje designados por las autoridades locales.



MANUAL DO UTILIZADOR

MICROONDAS



A ilustração é uma imagem de referência, o seu dispositivo pode ser diferente.

Leia este manual com atenção e guarde-o para referência futura.

AMW2701

MEDIDAS DE SEGURANÇA IMPORTANTES.....	42
INSTALAÇÃO	45
LIMPEZA.....	46
INSTRUÇÕES DO PRODUTO	48
FUNCIONAMENTO DO PAINEL DE CONTROLE.....	50
OPERAÇÃO.....	52
GUIA DE UTENSÍLIOS.....	54
DICAS DE COZINHA.....	55
MANUTENÇÃO.....	57

GUARDE ESTAS INSTRUÇÕES

MEDIDAS DE SEGURANÇA IMPORTANTES

AVISO: Se a porta ou os vedantes da porta estiverem danificados, o micro-ondas não deve ser utilizado até ser reparado por uma pessoa qualificada.

AVISO: É perigoso para qualquer pessoa sem formação efetuar qualquer operação de assistência ou reparação que envolva a remoção de qualquer cobertura que proteja contra a exposição à energia das micro-ondas.

AVISO: Os líquidos ou outros alimentos não devem ser aquecidos em recipientes fechados, pois podem explodir.

1. Utilize apenas utensílios adequados para utilização em micro-ondas.
- 2.º Não são permitidos recipientes metálicos para alimentos e bebidas durante a cozedura no micro-ondas.
3. Ao aquecer alimentos em recipientes de plástico ou de papel, tenha o cuidado no micro-ondas devido à possibilidade de ignição.
4. O micro-ondas foi concebido para aquecer alimentos e bebidas. Secar alimentos ou roupa e aquecer almofadas térmicas, chinelos, esponjas, panos húmidos e similares pode causar risco de ferimentos, ignição ou incêndio.
5. Se notar fumo, desligue ou desligue o aparelho e mantenha a porta fechada para abafar quaisquer chamas. O aquecimento de bebidas por micro-ondas pode causar uma fervura eruptiva retardada, pelo que se deve ter cuidado ao manusear o recipiente.
6. O conteúdo dos biberões e dos potes de comida para bebé deve ser mexido ou agitado e a temperatura deve ser controlada antes do consumo para evitar queimaduras.

- 7.º Não serão permitidos ovos com casca nem ovos cozidos inteiros, aquecidos em micro-ondas, pois podem explodir mesmo após a conclusão do aquecimento por micro-ondas.
8. Não manter o micro-ondas limpo pode causar deterioração da superfície, o que pode afetar negativamente a vida útil do aparelho e, possivelmente, resultar numa situação perigosa.
9. O aparelho não deve ser colocado dentro de um armário.
10. É necessário ter cuidado para não deslocar o prato giratório ao retirar os recipientes do aparelho.
11. O aparelho não deve ser limpo com uma máquina de limpeza a vapor.

Aviso: Quando o aparelho funciona em modo combinado, as crianças só devem utilizar o micro-ondas sob a supervisão de um adulto devido às temperaturas geradas.



CUIDADO: SUPERFÍCIE QUENTE

12. Se o cabo de alimentação estiver danificado, deverá ser substituído pelo fabricante ou o seu agente de assistência ou uma pessoa igualmente qualificada para evitar perigos.
13. Este aparelho pode ser utilizado por crianças a partir dos 8 anos e superiores e pessoas com capacidades físicas, sensoriais ou mentais reduzidas ou com falta de experiência e conhecimento, se tiverem recebido supervisão ou instruções sobre a utilização do aparelho de forma segura e compreenderem os perigos envolvidos.
14. As crianças não devem brincar com o aparelho.
15. A limpeza e manutenção do utilizador não deve ser realizada por crianças sem supervisão.
16. Não coloque água fria diretamente na placa de vidro após a utilização, É necessário colocar a placa de vidro durante pelo menos 20 minutos e depois colocá-la na água para evitar fissuras.
17. Aparelho doméstico da classe B, do grupo 2.
Dispositivos ISM no grupo 2: O grupo 2 contém todos os dispositivos ISM em que a energia de radiofrequência é gerada intencionalmente e e/ou utilizada sob a forma de radiação

eletromagnética para o tratamento de materiais e equipamentos de soldadura por arco e electro erosão.

Os equipamentos de Classe B são equipamentos adequados para utilização em ambiente doméstico e em estabelecimentos diretamente ligados a uma

rede de alimentação elétrica de baixa tensão que abastece edifícios, utilizado para fins domésticos.

18. A fonte de luz LED interna deste produto é <60 lm.
19. “Para cumprir a norma EN 61000-3-11, o produto deve ser ligado apenas a uma fonte de alimentação com impedância de sistema: $|Z_{sys}| = 0,40089$ ohms ou menos. Antes de ligar o produto à rede elétrica pública, verifique junto da autoridade local de fornecimento de energia para garantir que a rede elétrica cumpre os requisitos acima referidos.
20. Após ligá-lo ou terminar de o utilizar, o dispositivo desliga-se, modo desligado:<0,3W.

INSTALAÇÃO

- 1.º Remova todas as embalagens. Se houver uma película protetora no micro-ondas, por favor, tire-o antes de usar. Verifique cuidadosamente se existe algum dano. Se o tiver, avise imediatamente o revendedor ou envie-o para o centro de assistência do fabricante.
2. Os micro-ondas devem ser colocados em ambientes secos e não corrosivos, longe do calor e humidade, como um queimador a gás ou um tanque de água.
- 3.º Para garantir uma ventilação suficiente, a distância entre a parte de trás do micro-ondas e a parede deve ser de, pelo menos, 20 cm, e a parte lateral do micro-ondas à parede deve ser de, pelo menos, 5 cm, e o espaço livre sobre a superfície superior deve ser de, pelo menos, 20 cm. A distância entre o micro-ondas e o chão deve ser de pelo menos 85 cm.
4. A posição do micro-ondas deve ser afastada da televisão, rádio ou antena, pois podem ocorrer perturbações na imagem ou ruído. A distância deve ser superior a 5 m.
5. O aparelho deve ser colocado de forma que o plugue fique acessível e deve garantir um bom aterramento em caso de vazamentos e formação de circuitos de aterramento para evitar choque elétrico.
6. O micro-ondas deve ser utilizado com a porta fechada.
7. O micro-ondas não deve ser colocado dentro de um armário. O micro-ondas foi concebido para ser utilizado de forma independente. O aparelho destina-se apenas a uso doméstico.
- 8.º Como ficam resíduos de fabrico ou óleo no micro-ondas. Na cavidade ou elemento de aquecimento, é normalmente notado um odor, mesmo que ligeiro fumo. É um caso normal e não ocorrerá após várias utilizações. Mantenha a porta ou a janela aberta para garantir uma boa ventilação. Assim, é altamente recomendável colocar um copo de água na cavidade, colocar na potência alta e ligar o aparelho várias vezes.

LIMPEZA

CUIDADOS COM O MICRO-ONDAS

Cuidado

O micro-ondas deve ser limpo periodicamente e os restos de comida removidos.

AVISO

- a. Retirar o cabo de alimentação da tomada de parede antes de limpar depois de arrefecer os produtos, não mergulhar o aparelho em água ou outros líquidos durante a limpeza.
- b. Não manter o micro-ondas limpo pode causar deterioração da superfície que pode afetar adversamente a vida útil do aparelho e, possivelmente, resultar numa situação perigosa.
- c. Nunca utilize detergentes fortes, gasolina, pós abrasivos ou escova de metal para limpar qualquer parte do dispositivo.
- d. Não retire a tampa da guia de ondas.
- e. Quando o micro-ondas tiver sido utilizado durante muito tempo, pode haver alguns cheiros estranhos no micro-ondas. Siga estes 3 métodos para os remover:
 - 1) Coloque várias rodela de limão numa chávena e aqueça-as na potência máxima durante 2-3 minutos.
 - 2) Leve ao micro-ondas uma chávena de chá vermelho e aqueça no micro-ondas na potência máxima.
 - 3) Coloque algumas cascas de laranja no micro-ondas e depois aqueça-as com micropotência elevada durante 1 minuto.
- F. Quando o produto não é utilizado, deve ser colocado num local seco e áreas ventiladas da melhor forma possível.

AVISO

Detalhes sobre como limpar superfícies em contacto com alimentos:

Após a utilização, limpe a tampa da guia de ondas com um pano húmido e, em seguida, limpe os restos de comida e gordura com um pano seco. A gordura acumulada pode sobreaquecer e começar a deitar fumo ou a pegar fogo.

DICAS DE LIMPEZA

Detalhes para limpeza de vedantes de portas, cavidades e peças adjacentes:

Fora do país:

Limpe a caixa com um pano macio e húmido.

Porta:

Utilizando um pano macio e húmido, limpe a porta e a janela. Limpe as vedações das portas e as peças adjacentes para remover quaisquer derrames ou salpicos.

Limpe o painel de controlo com um pano macio e ligeiramente húmido.

Paredes interiores:

Limpe as superfícies interiores com um pano macio e húmido.

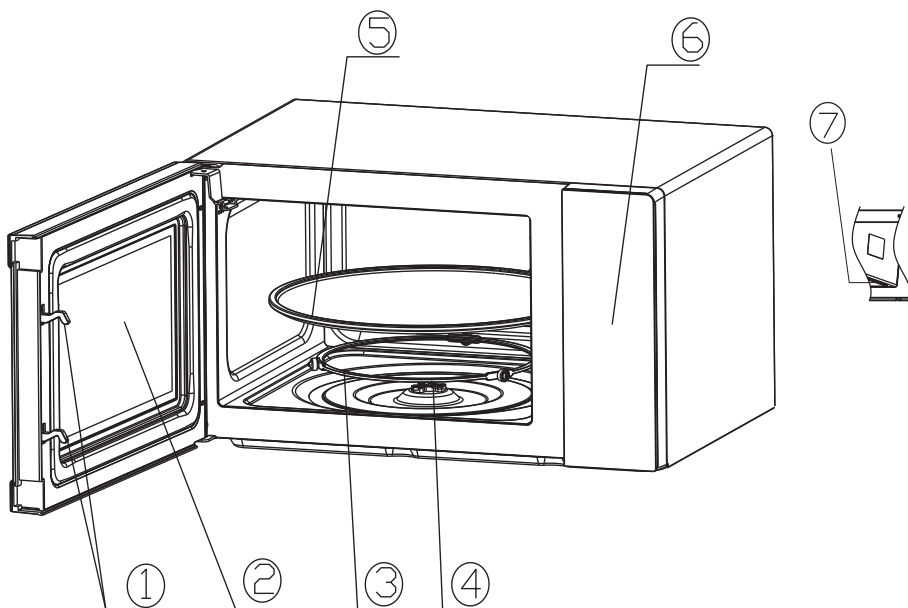
Limpe a tampa da guia de ondas para remover qualquer alimento derramado.

Plataforma giratória/anel de rotação/eixo de rotação:

Lave com água e sabão neutro.

Enxague com água limpa e deixe secar completamente.

INSTRUÇÕES DO PRODUTO



1) Fechadura da porta

A porta do micro-ondas deve estar bem fechada para funcionar.

2) Janela de visualização

Permitir ao utilizador visualizar o estado do cozimento.

3) Anel rotativo

A plataforma giratória de vidro assenta sobre rodas; segura a plataforma giratória e ajuda a equilibrá-lo ao rodar.

4) Eixo rotativo

A plataforma giratória de vidro está no eixo; O motor localizado por baixo aciona a rotação da base giratória.

5) Plataforma giratória

A comida fica no prato giratório, a sua rotação durante o funcionamento ajuda para cozinhar os alimentos uniformemente.

⚠ CAUTION

- Coloque primeiro o anel giratório
- Coloque o prato giratório no eixo giratório e certifique-se de que está engatado corretamente.

6) Painel de controlo

Veja abaixo em detalhe (o painel de controlo está sujeito a alterações sem aviso prévio)

7) Tapa do guia de ondas

Está dentro do micro-ondas, junto à parede do painel de controlo.

⚠ AVISO

Nunca retire a tampa da guia de ondas

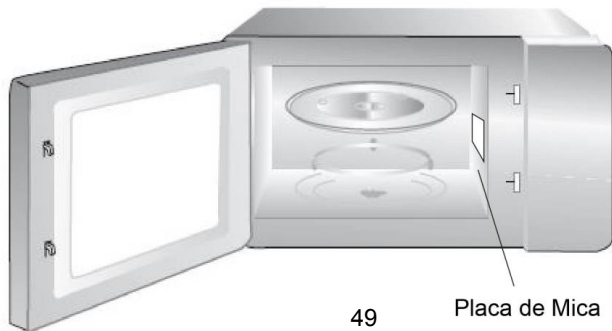
⚠ AVISO

Lembre-se de limpar regularmente a pequena placa interior de mica à direita para evitar queimaduras.

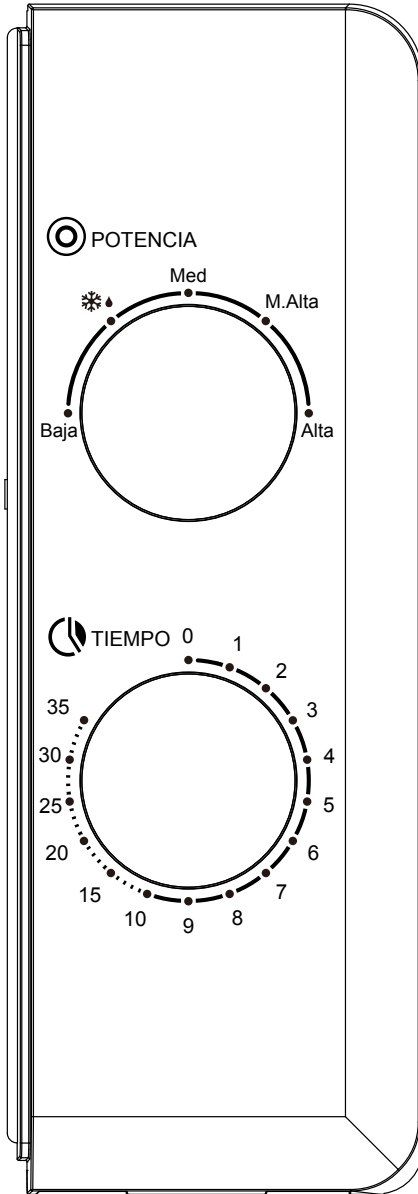
COMO LIMPAR A PLACA DE MICA

- 1. Desligue e desligue o micro-ondas.** Certifique-se de que o micro-ondas está desligado e desligado da tomada para evitar acidentes.
- 2. Humedeça um pano ou esponja com água.** Não utilize produtos químicos fortes ou esponjas abrasivas, pois podem danificar a mica!
- 3. Limpe suavemente.** Passe um pano húmido ou esponja sobre a mica para remover a gordura e a sujidade. Não aplique demasiada pressão para evitar danificar o material!
- 4. Seque.** Depois de limpar o pano húmido, limpe a mica com um pano limpo e completamente seco.

Nota: Uma mica em mau estado pode afetar o funcionamento do micro-ondas e representar um risco de segurança.



FUNCIONAMENTO DO PAINEL DE CONTROLE



1. AJUSTE DO RELÓGIO

A definição máxima é de 35 minutos, há um toque no final, e o botão volta à posição “0”.

2. FUNÇÃO MICRO-ONDAS

No.	ENERGÍA DE MICROONDAS	RELACIÓN DE SALIDA DE MICROONDAS
1	Baja	17% de potencia de salida
2	Descongelar/M.Baja	30% de potencia de salida
3	Med	55% de potencia de salida
4	M.Alta	80% de potencia de salida
5	Alta	100% de potencia de salida

Aqui ficam algumas dicas sobre o tempo de descongelação dos alimentos:

Não.	Peso (g)	Tempo de descongelação
1	200 gramas	Aproximadamente 4 minutos
2	400 gramas	Aproximadamente 8 minutos
3	600 gramas	Aproximadamente 12 minutos

OPERAÇÃO

1) Ligue o cabo

- Antes de ligar o cabo, certifique-se de que o temporizador está definido para "0" posição.

- Não bloqueie a ventilação.

2) Coloque os alimentos no prato giratório de vidro e feche a porta.

- Os alimentos devem estar contidos num utensílio.

- Não utilize o micro-ondas sem carga, caso contrário poderá queimar e causará danos no micro-ondas.

3) Selecione o nível de potência de micro-ondas pretendido.

4) Defina o cronómetro.

Se o tempo desejado for inferior a 2 minutos, rode o botão de potência do micro-ondas para a definição de 3+ minutos e, em seguida, rode-o novamente para a definição de tempo desejada.

5) Depois de definido o tempo desejado, inicia-se a cozedura. Se precisar de fazer uma pausa a meio do percurso, basta abrir a porta a qualquer momento e fechá-la para retomar a operação.

6) Quando o tempo terminar e a cozedura terminar, o micro-ondas emite um sinal sonoro e a lâmpada interior também se apaga automaticamente.

Se retirar os alimentos antes de terminar o tempo de cozedura, certifique-se de que coloca o temporizador na posição "0", para evitar que o micro-ondas funcione com carga vazia.

7) Recomenda-se o uso de luvas quando se retiram os alimentos cozinhados do micro-ondas e ter o cuidado de não tocar na parede interior da cavidade.

CUIDADO!

Aquece os alimentos rapidamente, normalmente apenas 2 a 3 minutos, monitoriza5 minutos. Tenha sempre em atenção o estado de cozedura dos alimentos e ajuste-o de acordo com as suas preferências de gosto. Evite o sobreaquecimento. Ao aquecer as papas, deve-se primeiro mexer uniformemente e depois cobrir com película aderente (deixar os cantos para ventilação) ou tampa perfurada que é aquecida.

A meio do tempo de descongelação, abra a porta para rodar os alimentos, para o efeito de descongelação seja mais uniforme.

GUIA DE UTENSÍLIOS

Dependendo do método de confecção, é necessário escolher um recipiente seguro e adequado. Se não for selecionado corretamente, não só afetará o efeito de cozadura, como também causará danos no recipiente ou no micro-ondas. Consulte a seguinte tabela para utilização:

Material do recipiente	Micro-ondas	Notas
Cerâmica resistente ao calor	Sim	Nunca utilize cerâmica que são decorados com rebordo de metal ou esmaltados. Recomenda-se a utilização de recipientes de cerâmica, vidro resistente ao calor e plástico que possam suportar temperaturas acima dos 120 °C.
Plástico resistente ao calor	Sim	Não pode ser utilizado para cozadura prolongada no micro-ondas
Vidro resistente ao calor	Sim	
grelha	Não	
filme plástico	Sim	Não deve ser utilizado para cozinhar carnes ou costeletas, pois o excesso de temperatura pode danificar a película.

DICAS DE COZINHA

Os seguintes fatores podem afetar o resultado da cozedura:

Arranjo alimentar

Coloque as áreas mais grossas viradas para fora da placa, a parte mais fina em direção ao centro e espalhe-o uniformemente. Não se sobreponha, se possível.

Duração do tempo de cozedura

Comece a cozinhar com um tempo de cozedura curto e avalie depois de o tempo terminarem alargá-lo de acordo com a real necessidade. Cozinhar em demasia pode causar fumo e queimaduras.

Cozinhe os alimentos uniformemente

Alimentos como frango, hambúrguer ou bife devem ser virados uma vez durante a cozedura.

Dependendo do tipo de alimento, se for o caso, mexa uma ou duas vezes do exterior para o centro do prato durante a cozedura.

Deixe repousar um pouco

Depois de decorrido o tempo de cozedura, deixe os alimentos no micro-ondas durante um tempo adequado, isto permite completar o ciclo de cozedura e arrefecê-lo gradualmente.

Se a comida estiver pronta

A cor e a dureza dos alimentos ajudam a determinar se estão prontos:

- O vapor sai de todas as partes dos alimentos, e não apenas da borda.
- As articulações das aves podem ser movidas facilmente.
- A carne de porco ou de aves não apresentam sinais de sangue.
- O peixe é opaco e pode ser facilmente cortado com um garfo.

Prato para dourar

Ao utilizar uma assadeira ou recipiente com autoaquecimento, sempre coloquei um isolador resistente ao calor, como uma placa de porcelana, por baixo para evitar danificar a placa rotativa e o anel.

Filme plástico próprio para micro-ondas

Ao cozinhar alimentos com alto teor de gordura, não deixe que o plástico não embrulhe os alimentos em contacto com ele, pois podem derreter.

Panelas de plástico seguras para micro-ondas

Alguns utensílios de plástico adequados para micro-ondas podem não ser adequados para cozinhar alimentos ricos em gordura e açúcar. Além disso, não deve ser ultrapassado o tempo de pré-aquecimento especificado no manual de instruções do prato.

MANUTENÇÃO

MANUTENÇÃO

Verifique o seguinte antes de ligar para a assistência técnica.

1. Coloque um copo de água (aproximadamente 150 ml) num copo de medição dentro do micro-ondas e feche bem a porta. A luz do micro-ondas deve apagar-se se a porta estiver bem fechada. Deixe o micro-ondas trabalhar durante 1 minuto.
2. A luz do micro-ondas acende?
3. A ventoinha de refrigeração está a funcionar?
(Coloque a mão sobre as aberturas de ventilação traseiras).
4. A plataforma giratória gira?
(A plataforma giratória pode rodar no sentido horário ou anti-horário. Esta É bastante normal.)
5. A água está quente dentro do micro-ondas?

Se a resposta a qualquer uma das questões acima referidas for “NÃO”, verifique a tomada e o fusível na caixa do medidor.

Se a tomada e o fusível funcionarem corretamente, CONTACTE O CENTRO DE ASSISTÊNCIA APROVADO MAIS PRÓXIMO.

MEDIDAS DE SEGURANÇA PARA MANUTENÇÃO

Cuidado: RADIAÇÃO DE MICROONDAS

1. O condensador de alta tensão permanece carregado após a desconexão; faça um curto-circuito no terminal negativo do condensador de alta tensão no chassis do micro-ondas (utilize uma chave de fendas) para o descarregar antes de lhe tocar.

2. Durante a manutenção, as peças listadas abaixo podem ser removidas e dar acesso a potenciais superiores a 250 V à terra.

- Magnetron
- Transformador de alta tensão
- Capacitor de alta tensão
- Díodo de alta tensão
- Fusível de alta tensão

A configuração real prevalecerá em espécie.

3. As seguintes condições podem provocar o aquecimento excessivo do micro-ondas: exposição durante o serviço.

- Montagem inadequada do magnetron;
- Correspondência incorreta entre encravamento, dobradiça e porta ;
- Montagem inadequada do suporte da chave;
- A porta, a vedação da porta ou o armário estão danificados.

Eliminação correta deste produto



Esta marca indica que este produto não deve ser utilizado os aparelhos usados são eliminados juntamente com outros resíduos domésticos em toda a UE. Para evitar potenciais danos ao ambiente ou à saúde humana decorrentes da eliminação descontrolada de resíduos, recicle os resíduos de forma responsável para promover a reutilização sustentável dos recursos materiais. Para devolver o seu dispositivo usado, utilize os sistemas de devolução e recolha ou contacte o revendedor onde adquiriu o produto. Podem recolher este produto para reciclagem ambientalmente segura.

Informações do pacote



Os materiais de embalagem dos produtos são fabricados a partir de materiais recicláveis de acordo com as nossas regulamentações ambientais nacionais. Não elimine os materiais de embalagem juntamente com o lixo doméstico ou outros resíduos. Leve-os aos pontos de recolha de material de embalagem designados pelas autoridades locais.

www.aspes.es
aspes@sareteknika.es
902 99 69 01 / 944 04 14 08