



UPRIGHT SHOWCASE INSTRUCTION MANUAL

Read this manual carefully and keep it for future reference

www.aspes.es

aspes@sareteknika.es

902 99 69 01 / 944 04 14 08

Table of Contents

Important safety instructions	1
Transportation and Placement	2
Product Features	3
Operation of the Temperature control knob.....	4
Electrical Connection	4
Details of Product	5
Caution for Safety.....	5
Caution for Using.....	5
Ordinary Trouble and Remedies	6
Correct Disposal of this product.....	7

Importer :

Dear users (customer), this manual contains the product's basic knowledge, use instruction, fault diagnosis and basic trouble shooting methods. In order to better understand and use this product, please take good care of this manual and read it carefully.

Important safety instructions

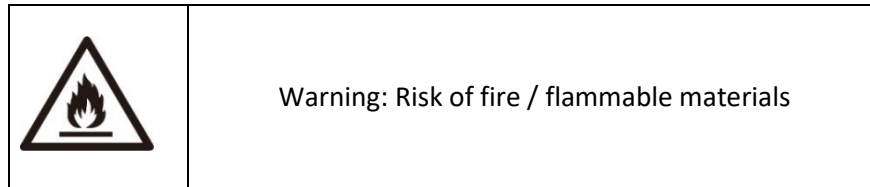
1. The Range of operating voltage: 187V~254V. In order to avoid damaging the electrical performance of the compressor, please equip with a Voltage Stabiliser appliance of power not less than 500W, to protect the Cooler when the voltage is lower than 187V or higher than 254V.
2. Individual single-phase socket must be used. It should be reliably connected to a grounding wire. Caution: The grounding wire is not allowed to connect to a water pipe or a gas pipe.
3. Strong base, strong acid, organic solvent and corrosive goods or those are easy to pollute to food are prohibited storing in the showcase; otherwise, it can cause corrosiveness or accident.
4. Don't raise the showcase or the shell of the electric parts, or it will cause the decline in insulation and cause corrosion.
5. When the showcase will be out of use for a long time, disconnect the power first, then clean it. Please examine the circuit whether it is ok before reuse.
6. If the supply cord is damaged, it must be replaced by a special cord or assembly available from the manufacturer or its service agent.
7. The appliance shall be disconnected from its power source during cleaning or maintenance and when replacing parts.
8. The A-weighted emission sound pressure level is below 70Db(A).
9. Do not store explosive substances such as aerosol cans with a flammable propellant inside the appliance.
10. Warning: Risk of fire / flammable materials, taking care to avoid causing a fire by igniting flammable material.
11. Max. loading of shelves: 195.3kg/m² , the deformation < 1.04cm/m.
12. Please according to local regulations regarding disposal of the appliance for its flammable blowing gas. Before you scrap the appliance, please take off the doors to prevent children trapped.
13. WARNING: Keep clear of obstruction all ventilation openings in the appliance enclosure or in the structure for building-in.
14. WARNING: Do not use mechanical devices or other means to accelerate the defrosting process, other than those recommended by the manufacturer.
15. WARNING: Do not damage the refrigerant circuit.
16. WARNING: Do not use electrical appliances inside the food storage compartments of the appliance, unless they are of the type recommended by the manufacturer.

17. The ambient temperature and humidity conditions of the show case climate class following the tab below:

Test room climate class	Dry bulb temperature (°C)	Relative humidity (%)	Dew point (°C)	Water vapour mass in dry air (g/kg)
0	20	50	9.3	7.3
1	16	80	12.6	9.1
8	23.9	55	14.3	10.2
2	22	65	15.2	10.8
3	25	60	16.7	12.0
4	30	55	20.0	14.8
6	27	70	21.1	15.8
5	40	40	23.9	18.8
7	35	75	30.0	27.3

NOTE: the water vapour mass dry air is one of the main points influencing the performance and the energy consumption of the cabinets. Therefore, the order of the climate class in the table is based on the water vapour mass column. See also Annex B to compare lab and store conditions.

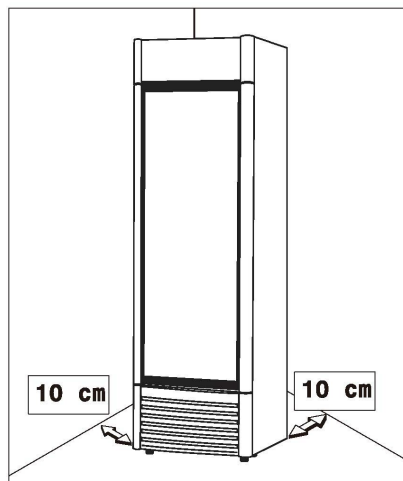
Note: The illustration is a reference image, your device may differ.



Transportation and Placement

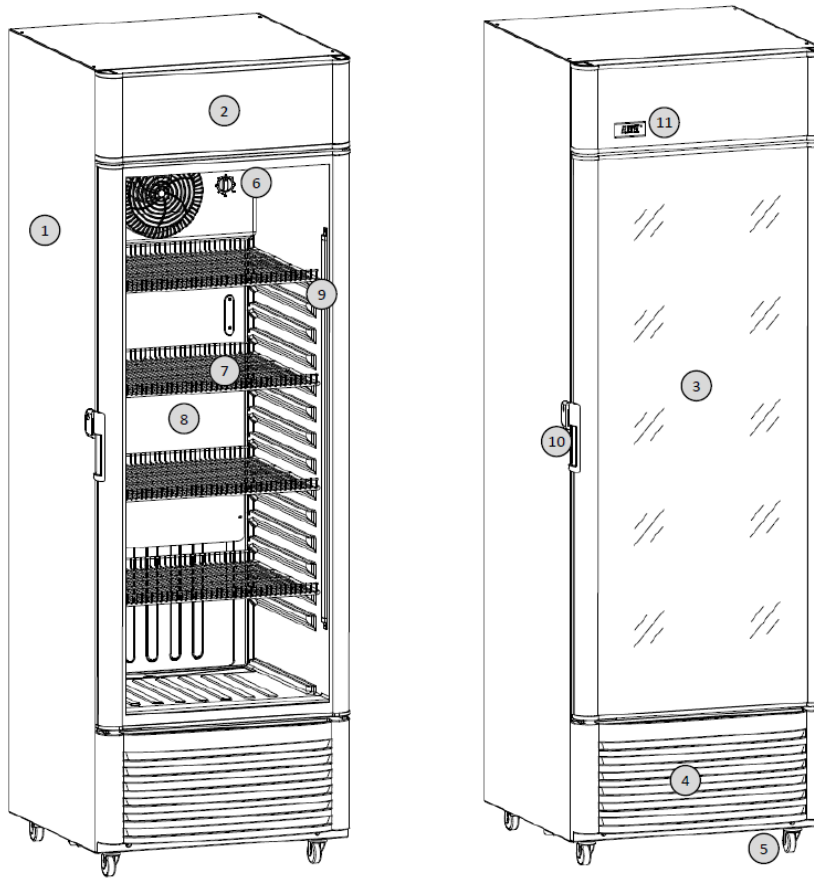
Take out packing and clean all the cabinet using warm water together with 5% of neutral soap then dry it with a soft-cloth; for the glass parts only use specific products, avoiding the use of water which can leave on the glasses limestone residues.

1. Keep a distance from the wall of 10 cm at least. Please level the unit settling the adjustable feet.
2. Cabinet must be installed on a perfectly even surface, far away from any heat source included sun rays.
3. Do not install the unit in open places and do not expose it to rain.



Note: The illustration is a reference image, your device may differ.

Product Features

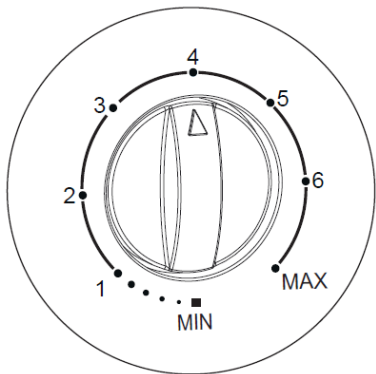


No	Description
1	Box
2	Lamp box
3	Glass door
4	Panel
5	Foot
6	Temperature control knob
7	Shelf
8	Evaporator
9	Lamp
10	Lock
11	Display

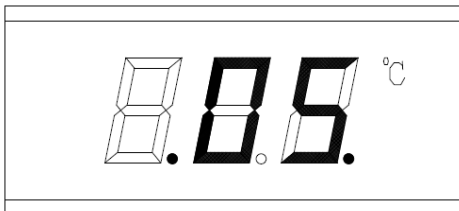
Note: The illustration is a reference image, your device may differ.

Operation of the Temperature control knob

1. The temperature inside the cabinet can be controlled with the temperature control knob.
2. The knob should be kept upright normally to adjust the temperature. FREEZING MAX is the strongest cooling position and is suitable for fast freezing. Do not keep the knob at this point for long.



COLD ↑ ↓ COLDEST	MIN (0)	Products will cease to work
	1	When the user does not need a colder temperature.
	2	
	3	
	4	When in normal use.
	5	When the user needs a colder temperature.
	6	
MAX (7)	Do not set the time in this gear, it is recommended to adjust to 4 after 24h.	



- ◆ Temperature display.
- ◆ Different products, the display is also different, actual product shall prevail.

3. Note: The illustration is a reference image, your device may differ.

Electrical Connection

⚡ WARNING ⚡

1. Do not, under any circumstances, cut or remove the third ground prong from the power cord supplied.

This refrigerator appliance is not designed to be used with an inverter.

The cord should be secured behind the appliance and not left exposed or dangling to prevent accidental injury.

2. Never unplug the refrigerator (freezer) by pulling the power cord. Always grip the plug firmly and pull straight out from the receptacle.

3. Do not use an extension cord with this appliance. If the power cord is too short, have a qualified electrician or service technician install an outlet near the appliance. Use of an extension cord can negatively affect the performance of the unit.

4. Improper use of the grounded plug can result in the risk of electrical shock. If the power cord is damaged, have it replaced by an authorized service center.

Details of Product

1. It uses quality, effective and hermetic compressor with broad range of starting voltage, suitable ambient temperature: not higher than 40°C, reasonable matching of the showcase system guarantees its powerful refrigerant ability and energy saving.
2. Goods stored can be displayed clearly through the door made from luxurious hollow glass.
3. The thermal insulation layer of the showcase made from hard polyurethane foamed plastics makes it be light and good ability to keep the contents cold.

Caution for Safety

- ◆ **Warning!** Do not damage the cooling fluid circuit
- ◆ **Warning!** Do not damage walls of the machine: the cooling fluid circuit may damage
- ◆ **Warning!** Do not use electrical appliances inside the food storage compartments of the appliance, unless they are of the type recommended by the manufacturer.
- ◆ **Warning!** The equipment must not be used by persons (including children) whose physical, sensorial, or mental capacities are reduced, or who lack experience and know-how, unless they have been provided, by means of a person responsible for their safety, with suitable monitoring or instructions about the use of the equipment. Children must be monitored to ensure they do not play with the equipment.

Caution for Using

1. Unpack all packages before using the showcase. Don't Bend it over more than 60°, while moving it.
2. When initial operation, the refrigerator should run empty about two hours before storing food in it.
3. The thermostat could adjust the temperature inside the showcase. When you turn the knob clockwise. The bigger the figure, the lower the temperature. Generally, the position of '3-4' is suitable. '6' position will be operating continually.
4. To save energy, the door should not be frequently opened for a long time.
5. The surface and the inside of the showcase should be dry and clean. Long term moisture will cause the showcase to rust slowly. (There will be some stains on the surface.)
6. Periodical cleaning is suggested for your reference. Generally, 30-45 days once is best. When cleaning, it is best to wipe the inside and the surface of the showcase with the soft cloth with neutral soap or detergent.

Caution: To ensure safety, the power plug must be pulled out before cleaning.

Ordinary Trouble and Remedies

Please refer to the below trouble shooting lists to overcome any minor problems that occurs during operations.

Trouble	Reason	Check	Solution	Remark	
Lamp not lighting	No voltage	Fuse breaking off	Checking fuse	Renew Checking fuse	If it is necessary, please ask to the electrician to maintain.
		Poor connection between the plug and socket	The connection lease or not	Repair or change socket	
	Have voltage	lamp is poor contact or wear down	Check the circuit and lamp	Tight the leaf contact or renew lamp	Ask professional to maintain.
		Lamp knob is poor contact	Joint is loose or not	Tight the leaf contact	
Condensor fan Not running	Compressor work rderly	Condensor fan broken down	Remove Condensor fan	Renew Condensor fan	Ask professional to maintain.
	Compressor out of work	Thermostat is not to the work position	Check temperature controller	Revolve the knob to the operate position	
		Poor contact with the temperature controller	Leaf contact	Tight leaf contact	
		The temperature Controller is wear down.	Electricity broken down.	Change the temperature controller	
Continue operating	Too high temperature inside of the box.	Open the door too frequently		Open the door as little as possible	Ask professional to maintain.
		Too much storage	The circulation of cooling air has been affected	Take out part of the storage	
		Leakage of refrigerant.		Repair at a named maintenance department	
	Too low temperature inside of the box.	Temp. controller out of work		Change the temp. controller	Ask professional to maintain.
Large noise	Cabinet isn't put horizontally.		The four wheels to the ground or not	Pad the box in time	Ask professional to maintain.
	Fixing screw of compressor or condenser is loose		Screw tight or not	Tight the screw	Ask professional to maintain.
Condensor fan is working, but the compressor doesn't operate.	The plug of starter or heat relay is slack.		Leaf contact damage or not	Tight leaf con-tact.	Ask professional to maintain.
	Compressor out of work			Repair or change compressor	Ask professional to maintain.
	Voltage is below 187V		Check the Voltage	Connect with >1000W manostat	
Evaporator fan Not running	It is not touch the fan switch when the door colsed		Check the door touch the fan switch or not	Adjust the axes of the door to be a little upper	Ask professional to maintain
	Poor contact with the fan switch or		Check the fan switch and circuit	Tight the connection or renew the fan switch	
	Evaporator fan broken down		Remove evaporator fan	Renew evaporator fan	
Electrical cable Broken down			Change the electrical cable	Ask professional to maintain	
Screen no	Temperature display no voltage	Check the voltage		If it is necessary,	

display		Check the temperature display		please ask to the electrician to maintain.
Screen display "E1" or "E2"	Sensor fault	Check the sensor		Ask professional to maintain

Notice: Following cases are not trouble but common phenomenon:

- 1.Upright freezer showcase has a slight bicker.
- 2.Compressor and condenser become hot.
- 3.If the ambient humidity is high, there may be dewdrop on the surface, please use soft and dry cloth to clean in time.
- 4.Note: The illustration is a reference image, your device may differ.

Correct Disposal of this product



Dispose of packaging in an environmentally-friendly manner.

This appliance is labelled in accordance with European Directive 2012/19/EU concerning used electrical and electronic appliances (waste electrical and electronic equipment - WEEE). The guideline determines the frame work for the return and recycling of used appliances as applicable throughout to the EU.

PACKAGE INFORMATION: Packaging materials of the product are manufactured from recyclable materials in accordance with our National Environment Regulations. Do not dispose of the packaging materials together with the domestic or other wastes. Take them to the packaging material collection points designated by the local authorities.



VITRINA VERTICAL MANUAL DE INSTRUCCIONES

Lea atentamente este manual y consérvelo para futuras referencias.

www.aspes.es

aspes@sareteknika.es

902 99 69 01 / 944 04 14 08

Índice

Instrucciones de seguridad importantes.....	1
Transporte e instalación.....	2
Características del Producto.....	3
Uso del botón de ajuste de temperatura.....	4
Conexión eléctrica.....	5
Detalles del producto.....	5
Precauciones de seguridad.....	6
Precauciones de uso.....	6
Problemas comunes y soluciones.....	6
Eliminación correcta de este producto	8

Importador:

Estimados usuarios (clientes), este manual contiene los conocimientos básicos sobre el producto, las instrucciones de uso, el diagnóstico de fallas y los métodos básicos de reparación. A fin de comprender mejor y utilizar este producto, cuide bien de este manual y léalo atentamente.

Instrucciones de seguridad importantes

1. El rango de voltaje de operación es de 187V~254V. Para evitar daños en el rendimiento eléctrico del compresor, equípe el aparato con un estabilizador de voltaje con una potencia inferior a 500W, para proteger el refrigerador cuando el voltaje esté por debajo de 187V o por encima de 254V.
2. Se debe utilizar un tomacorriente monofásico individual, conectado de manera confiable a un cable de tierra. Atención: Está prohibido conectar el cable de tierra a una tubería de agua o gas.
3. Está prohibido almacenar en la vitrina bases sólidas, ácidos fuertes, solventes orgánicos, productos corrosivos o sustancias que puedan contaminar los alimentos, ya que existe riesgo de corrosión o accidente.
4. No levante la vitrina ni retire la carcasa de los componentes eléctricos, ya que esto puede provocar deterioro del aislamiento y corrosión.
5. Cuando la vitrina no se utilice por un largo período: Desconecte la alimentación eléctrica. Límpiela. Verifique el estado del circuito antes de volver a utilizarla.
6. Si el cable de alimentación está dañado, debe ser reemplazado por un cable especial o un conjunto disponible a través del fabricante o del servicio autorizado.
7. El aparato debe desconectarse de la red eléctrica durante la limpieza, el mantenimiento o la sustitución de piezas.
8. El nivel de presión sonora ponderado A es inferior a 70 dB(A).
9. No almacene sustancias explosivas, como aerosoles que contengan gas inflamable, dentro del aparato.
10. AVISO: Riesgo de incendio / Materiales inflamables. Evite cualquier riesgo de incendio, no exponiendo materiales inflamables a fuentes de ignición.
11. Carga máxima de los estantes: 195,3 kg/m². Deformación ≤ 1,04 cm/m.
12. Respete las normativas locales sobre la eliminación del aparato debido al gas inflamable utilizado en el aislamiento. Antes de desecharlo, retire las puertas para evitar cualquier riesgo para los niños.
13. AVISO: Asegúrese de no obstruir las aberturas de ventilación del gabinete del aparato o de la estructura donde está empotrado.
14. AVISO: No utilice dispositivos mecánicos u otros métodos para acelerar el proceso de descongelación, a menos que sean recomendados por el fabricante.
15. AVISO: No dañe el circuito de refrigeración.
16. AVISO: No utilice aparatos eléctricos en el interior de los compartimentos de almacenamiento de alimentos, a menos que sean del tipo recomendado por el fabricante.

Las condiciones de temperatura ambiente y humedad de la vitrina refrigerada según la clase climática se indican en la siguiente tabla:

Clase climática de la sala de prueba	Temperatura del aire seco (°C)	Humedad relativa (%)	Punto de rocío (°C)	Masa de vapor de agua en el aire seco (g/kg)
0	20	50	9.3	7.3
1	16	80	12.6	9.1
8	23.9	55	14.3	10.2
2	22	65	15.2	10.8
3	25	60	16.7	12.0
4	30	55	20.0	14.8
6	27	70	21.1	15.8
5	40	40	23.9	18.8
7	35	75	30.0	27.3

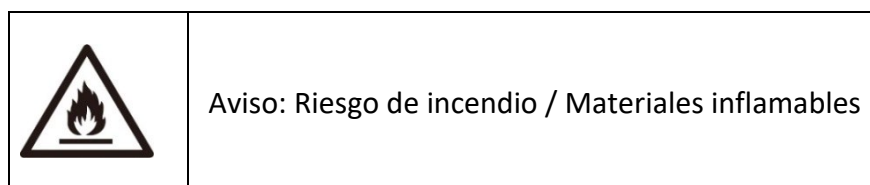
OBSERVACIÓN:

La masa de vapor de agua en el aire seco es uno de los principales factores que influyen en el rendimiento y el consumo de energía de las vitrinas refrigeradas.

Por lo tanto, el orden de las clases climáticas en la tabla se basa en la columna "Masa de vapor de agua".

Consulte también el Anexo B para comparar las condiciones de laboratorio con las condiciones de la tienda.

Nota: La ilustración es una imagen de referencia, su aparato puede ser diferente.

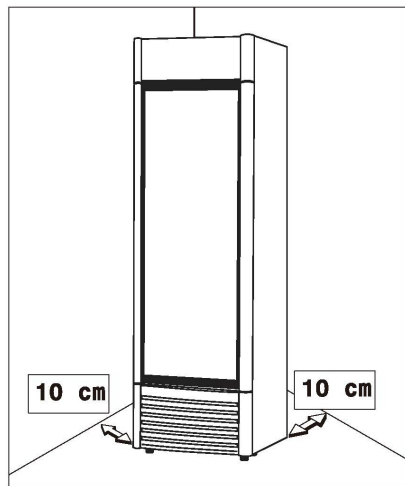


Transporte e instalación

Retire el embalaje y limpie completamente el gabinete con agua tibia y un 5% de jabón neutro, luego séquelo con un paño suave.

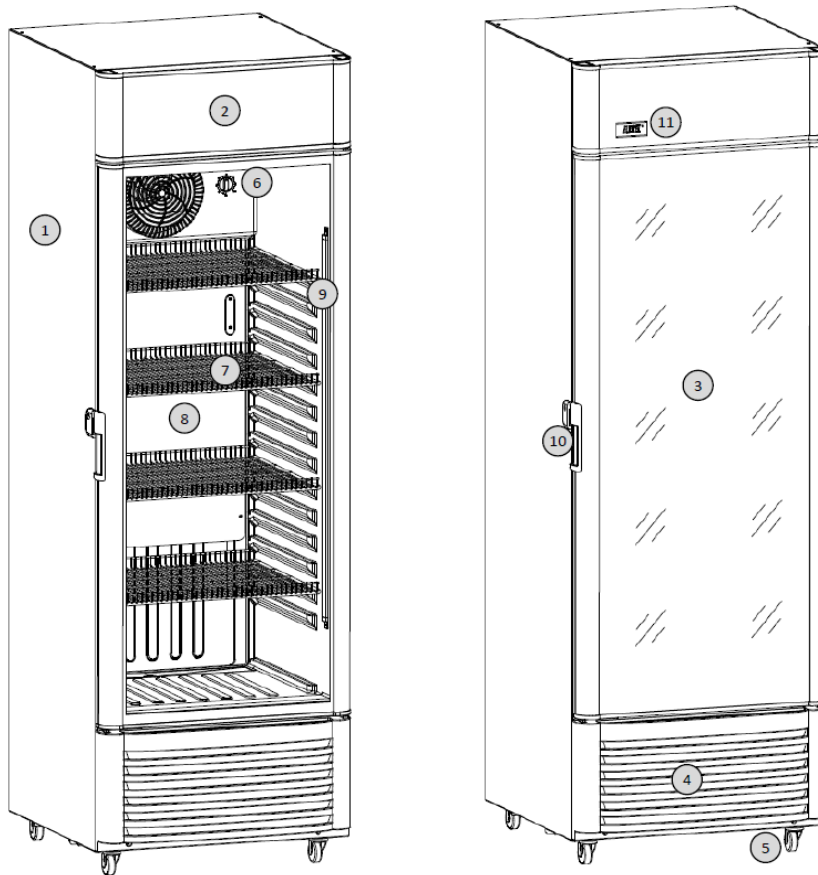
Para las partes de vidrio, utilice solo productos específicos, evitando el uso de agua, ya que esta puede dejar residuos de cal en el vidrio.

1. Mantenga una distancia de al menos 10 cm entre el gabinete y la pared. Asegúrese de que el aparato esté nivelado ajustando las patas regulables.
2. El gabinete debe instalarse sobre una superficie perfectamente plana, lejos de cualquier fuente de calor, incluida la luz solar directa.
3. No instale el aparato en un espacio abierto ni lo exponga a la lluvia.



Observación: La ilustración es una imagen de referencia, su aparato puede ser diferente.

Características del Producto

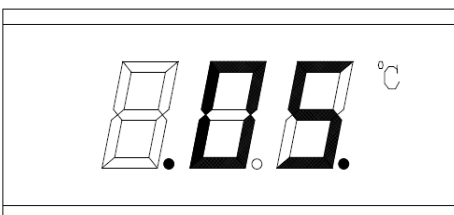
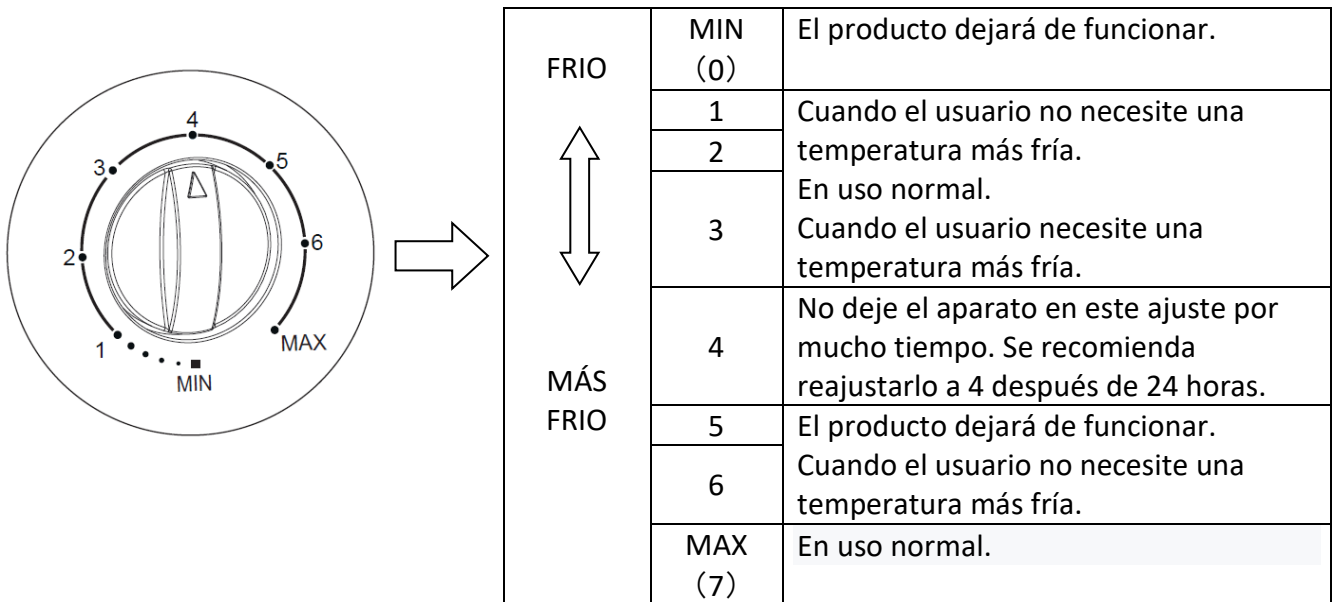


N°	Descripción
1	Gabinete
2	Caja de la lámpara
3	Puerta de vidrio
4	Panel
5	Pie
6	Botón de ajuste de temperatura
7	Estante
8	Evaporador
9	Lámpara
10	Cerradura
11	Pantalla/Display

Observación: La ilustración es una imagen de referencia, su aparato puede ser diferente.

Uso del botón de ajuste de temperatura

1. La temperatura dentro del gabinete puede controlarse utilizando el botón de ajuste de temperatura.
2. El botón debe mantenerse en posición vertical para un ajuste normal de la temperatura.
 - a) FREEZING MAX es la posición de enfriamiento más fuerte y es adecuada para congelamiento rápido.
 - b) No deje el botón en esta posición por un período prolongado.



- Exibição da temperatura.
- Dependendo dos diferentes produtos, a exibição pode variar. O produto real prevalece.

3. Observación: La ilustración es una imagen de referencia, su aparato puede ser diferente.

Conexión eléctrica

AVISO

1. No corte ni retire, bajo ninguna circunstancia, el tercer pin de conexión a tierra del cable de alimentación.
 - a) Este refrigerador no está diseñado para ser utilizado con un sistema de alimentación ininterrumpida (UPS).
 - b) El cable debe fijarse en la parte trasera del aparato y no debe quedar expuesto o colgando para evitar cualquier riesgo de accidente.
2. Nunca desconecte el refrigerador (congelador) tirando del cable de alimentación.
 - a) Sujete firmemente el enchufe y extráigalo directamente de la toma de corriente.
3. No utilice extensiones con este aparato.
 - a) Si el cable de alimentación es demasiado corto, solicite a un electricista o técnico calificado la instalación de una toma de corriente cercana.
 - b) El uso de una extensión puede afectar negativamente el rendimiento del aparato.
4. El uso inadecuado de la conexión a tierra puede causar riesgo de descarga eléctrica.
 - a) Si el cable de alimentación está dañado, sustitúyalo en un centro de servicio autorizado.

Detalles del producto

1. Compresor de alto rendimiento y hermético
 - a) Utiliza un compresor de calidad, eficiente y hermético.
 - b) Opera con un amplio rango de voltaje de arranque y temperatura ambiente no superior a 40°C.
 - c) El sistema de la vitrina ha sido diseñado para garantizar excelente capacidad de refrigeración y ahorro de energía.
2. Visualización óptima de los productos almacenados
 - a) Los productos almacenados son claramente visibles gracias a una puerta de vidrio doble de alta calidad.
3. Aislamiento térmico eficiente
 - a) La capa de aislamiento térmico está hecha de espuma rígida de poliuretano, lo que hace que el aparato sea ligero y garantice una excelente conservación del frío.

Precauciones de seguridad

AVISO

1. No dañe el circuito del fluido refrigerante.
2. No perforo ni dañe las paredes del aparato, ya que esto podría causar fugas en el sistema de refrigeración.
3. No utilice aparatos eléctricos dentro de los compartimentos de almacenamiento de alimentos, a menos que sean del tipo recomendado por el fabricante.

AVISO

1. Este equipo no debe ser utilizado por personas (incluidos niños) con capacidades físicas, sensoriales o mentales reducidas, o que no tengan experiencia y conocimientos suficientes, a menos que estén bajo supervisión adecuada o hayan recibido instrucciones de una persona responsable de su seguridad.
2. Los niños deben ser supervisados para asegurarse de que no jueguen con el aparato.

Precauciones de uso

1. Retire todos los embalajes antes de utilizar la vitrina. No la incline más de 60° durante el transporte.
2. En la primera utilización, deje que el refrigerador funcione vacío durante aproximadamente dos horas antes de almacenar alimentos.
3. El termostato permite ajustar la temperatura dentro de la vitrina.
 - a) Girando el botón en sentido horario, la temperatura disminuirá.
 - b) Cuanto mayor sea el número, más baja será la temperatura.
 - c) Generalmente, la posición "3-4" es la ideal.
 - d) La posición "6" significa operación continua.
4. Para ahorrar energía, evite abrir la puerta con frecuencia o dejarla abierta durante mucho tiempo.
5. Mantenga seco y limpio el interior y exterior de la vitrina.
 - a) La exposición prolongada a la humedad puede causar corrosión gradual (manchas en la superficie).
6. Se recomienda realizar una limpieza periódica.
 - a) Cada 30 a 45 días es lo ideal.
 - b) Para limpiar, utilice un paño suave humedecido con agua y jabón neutro o detergente para limpiar el interior y el exterior de la vitrina.
7. **Atención:** Para garantizar la seguridad, desconecte el enchufe de la toma de corriente antes de la limpieza.

Problemas comunes y soluciones

Consulte la tabla siguiente para resolver problemas menores que puedan ocurrir durante el funcionamiento.

Problema	Causa	Verificación	Solución	Observación	
La lámpara no se enciende	Fusible quemado	Verificación del fusible	Reemplazar o verificar el fusible	Si es necesario, solicite a un electricista que realice el mantenimiento.	
		Mala conexión entre el enchufe y el cable de la lámpara	Reparar o cambiar el enchufe		
	Presencia de tensión	Mal contacto o desgaste de la lámpara	Verificar el circuito y la lámpara	Ajustar el contacto o reemplazar la lámpara	Solicite a un profesional que realice el mantenimiento.
		Mal contacto o desgaste de la lámpara	Verificar el circuito y la lámpara	Ajustar el contacto o reemplazar la lámpara	
El ventilador del condensador no funciona	El compresor funciona de manera irregular	Mal contacto del botón	¿El sello está flojo o no?	Ajustar el contacto	Solicite a un profesional que realice el mantenimiento.
		Compresor fuera de servicio	Ventilador del condensador averiado	Retirar el ventilador del condensador	
		El termostato no está en posición de funcionamiento	Verificar el regulador de temperatura	Girar el botón a la posición de funcionamiento	
		El regulador de temperatura está desgastado	Falla eléctrica	Remplacer le régulateur de température	
Segue funcionando	Temperatura demasiado alta en el interior de la caja	Apertura frecuente de la puerta		Abrir la puerta lo menos posible	Solicite a un profesional que realice el mantenimiento.
		Demasiado almacenamiento	La circulación del aire de refrigeración está afectada	Retirar parte del almacenamiento	
		Fuga de refrigerante		Reparar en un centro de mantenimiento autorizado	
	Temperatura demasiado baja en el interior de la caja	Regulador de temperatura averiado		Reemplazar el regulador de temperatura	Solicite a un profesional que realice el mantenimiento.
Ruido fuerte	El gabinete no está nivelado horizontalmente.	¿Las cuatro ruedas están en el suelo o no?	Asegurar la caja a tiempo.	Solicite a un profesional que realice el mantenimiento.	
		El tornillo de fijación del compresor o del condensador está flojo.	¿El tornillo está apretado o no?	Apretar el tornillo.	Solicite a un profesional que realice el mantenimiento.
El compresor está fuera de servicio.	El enchufe del arrancador o del relé térmico está flojo.	¿El contacto de la lengüeta está dañado o no?	Apretar el contacto de la lengüeta	Solicite a un profesional que realice el mantenimiento.	
		El compresor está fuera de servicio.		Reparar o reemplazar el compresor	Solicite a un profesional que realice el mantenimiento.
		La tensión es inferior a 187V.	Verificar la tensión	Conectar con un manostato de >1000W	Solicite a un profesional que realice el mantenimiento.
El ventilador del	No toca el interruptor del ventilador cuando la puerta está cerrada.	Verificar si la puerta toca el interruptor del ventilador o no.	Ajustar los ejes de la puerta para levantarlos un poco.	Solicite a un profesional que realice el	

evaporador no funciona.	Mal contacto con el interruptor del ventilador.	Verificar el interruptor del ventilador y el circuito.	Apretar la conexión o reemplazar el interruptor del ventilador.	mantenimiento
	El ventilador del evaporador está averiado.	Retirar el ventilador del evaporador.	Reemplazar el ventilador del evaporador.	
Cable eléctrico averiado			Cambiar el cable eléctrico.	Solicite a un profesional que realice el mantenimiento
Pantalla sin visualización	Visualización de la temperatura sin tensión.	Verificar la tensión.		Solicite a un profesional que realice el mantenimiento
		Verificar la visualización de la temperatura.		
Pantalla muestra "E1" o "E2"	Falla del sensor.	Verificar el sensor		Solicite a un profesional que realice el mantenimiento

Observación

Los siguientes casos no son fallos, sino fenómenos normales:

1. Se puede escuchar un leve ruido dentro de la vitrina refrigerada vertical.
2. El compresor y el condensador pueden calentarse durante el funcionamiento.
3. En caso de alta humedad ambiental, pueden aparecer gotículas de condensación en la superficie. Límpielas con un paño suave y seco lo antes posible.
4. Observación: La ilustración es una imagen de referencia, su aparato puede ser diferente.

Eliminación correcta de este producto



- Deseche el embalaje de manera ecológica.
- Este aparato está etiquetado de acuerdo con la Directiva Europea 2012/19/UE sobre residuos de equipos eléctricos y electrónicos (RAEE).
- Esta directiva establece el marco para la recolección y el reciclaje de aparatos usados en toda la Unión Europea.

INFORMACIÓN SOBRE EL EMBALAJE

- Los materiales del embalaje de este producto están fabricados con materiales reciclables, en conformidad con las normativas ambientales nacionales.
- No deseche los materiales del embalaje junto con residuos domésticos u otros tipos de basura.
- Depósitelos en los puntos de recolección de materiales reciclables designados por las autoridades locales.



VITRINE VERTICALE
MANUEL D'INSTRUCTIONS

Lisez attentivement ce manuel et conservez-le pour toute référence future.

www.aspes.es

aspes@sareteknika.es

902 99 69 01 / 944 04 14 08

Table des Matières

Instructions de sécurité importantes.....	1
Transport et installation.....	2
Caractéristiques du produit.....	3
Utilisation du bouton de réglage de la température.....	4
Raccordement électrique	5
Détails du produit	5
Précautions de sécurité.....	5
Précautions d'utilisation	6
Problèmes courants et solutions	6
Élimination correcte de ce produit	8

Importateur:

Chers utilisateurs (clients), ce manuel contient les connaissances de base sur le produit, les instructions d'utilisation, le diagnostic des pannes et les méthodes de dépannage de base. Afin de mieux comprendre et utiliser ce produit, veuillez prendre soin de ce Manuel et le lire attentivement.

Instructions de sécurité importantes

1. La plage de tension de fonctionnement est de 187V~254V. Afin d'éviter d'endommager les performances électriques du compresseur, veuillez équiper l'appareil d'un stabilisateur de tension d'une puissance inférieure à 500W, afin de protéger le refroidisseur lorsque la tension est inférieure à 187V ou supérieure à 254V.
2. Une prise monophasée individuelle doit être utilisée. Elle doit être reliée de manière fiable à un fil de mise à la terre.
Attention : Il est interdit de connecter le fil de mise à la terre à une conduite d'eau ou à une conduite de gaz.
3. Il est interdit de stocker dans la vitrine une base solide, un acide puissant, un solvant organique, des produits corrosifs ou des substances susceptibles de polluer les aliments, sous peine de provoquer de la corrosion ou un accident.
4. Ne soulevez pas la vitrine ni l'enveloppe des composants électriques, cela entraînerait une détérioration de l'isolation et de la corrosion.
5. Lorsque la vitrine n'est pas utilisée pendant une longue période : Débranchez l'alimentation électrique. Nettoyez-la. Vérifiez l'état du circuit avant de la réutiliser.
6. Si le cordon d'alimentation est endommagé, il doit être remplacé par un cordon spécial ou un ensemble disponible auprès du fabricant ou de son service après-vente.
7. L'appareil doit être débranché de son alimentation électrique lors du nettoyage, de la maintenance ou du remplacement des pièces.
8. Le niveau de pression sonore pondéré A est inférieur à 70 dB(A).
9. Ne stockez pas de substances explosives, telles que des bombes aérosols contenant un gaz inflammable, à l'intérieur de l'appareil.
10. AVERTISSEMENT : Risque d'incendie / Matériaux inflammables. Veillez à éviter tout risque d'incendie en n'exposant pas de matériaux inflammables à une source d'ignition.
11. Charge maximale des étagères : 195,3 kg/m². Déformation ≤ 1,04 cm/m.
12. Respectez les réglementations locales concernant l'élimination de l'appareil en raison de son gaz soufflant inflammable. Avant de mettre l'appareil au rebut, retirez les portes pour éviter tout danger pour les enfants.
13. AVERTISSEMENT : Veillez à ne pas obstruer les ouvertures de ventilation du boîtier de l'appareil ou de la structure où il est encastré.
14. AVERTISSEMENT : N'utilisez pas d'appareils mécaniques ni d'autres méthodes pour accélérer le processus de dégivrage, sauf s'ils sont recommandés par le fabricant.
15. AVERTISSEMENT : Ne détériorez pas le circuit de réfrigération.
16. AVERTISSEMENT : N'utilisez pas d'appareils électriques à l'intérieur des compartiments de stockage des aliments, sauf s'ils sont du type recommandé par le fabricant.
17. Les conditions de température ambiante et d'humidité de la vitrine réfrigérée selon la classe climatique sont indiquées dans le tableau ci-dessous :

Classe climatique de la salle de test	Température de l'air sec (°C)	Humidité relative (%)	Point de rosée (°C)	Masse de vapeur d'eau dans l'air sec (g/kg)
0	20	50	9.3	7.3
1	16	80	12.6	9.1
8	23.9	55	14.3	10.2
2	22	65	15.2	10.8
3	25	60	16.7	12.0
4	30	55	20.0	14.8
6	27	70	21.1	15.8
5	40	40	23.9	18.8
7	35	75	30.0	27.3

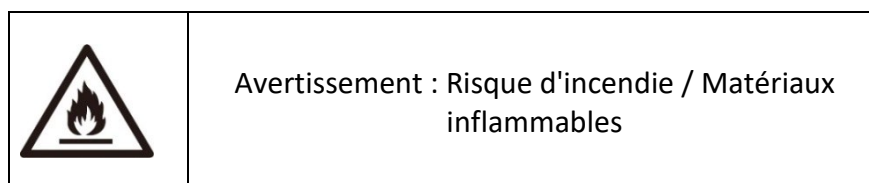
REMARQUE :

La masse de vapeur d'eau dans l'air sec est l'un des principaux facteurs influençant les performances et la consommation d'énergie des vitrines réfrigérées.

Par conséquent, l'ordre des classes climatiques dans le tableau est basé sur la colonne "Masse de vapeur d'eau".

Voir également l'Annexe B pour comparer les conditions de laboratoire et celles en magasin.

Remarque : L'illustration est une image de référence, votre appareil peut différer.

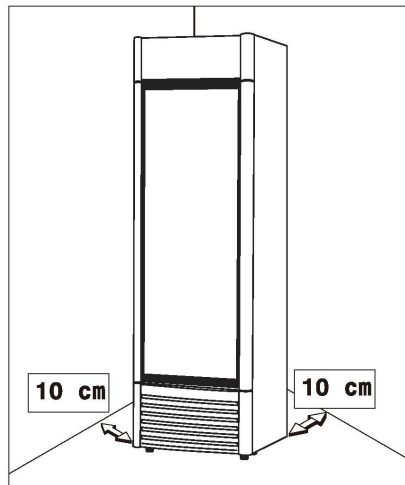


Transport et installation

Retirez l'emballage et nettoyez entièrement l'armoire avec de l'eau tiède additionnée de 5 % de savon neutre, puis séchez avec un chiffon doux.

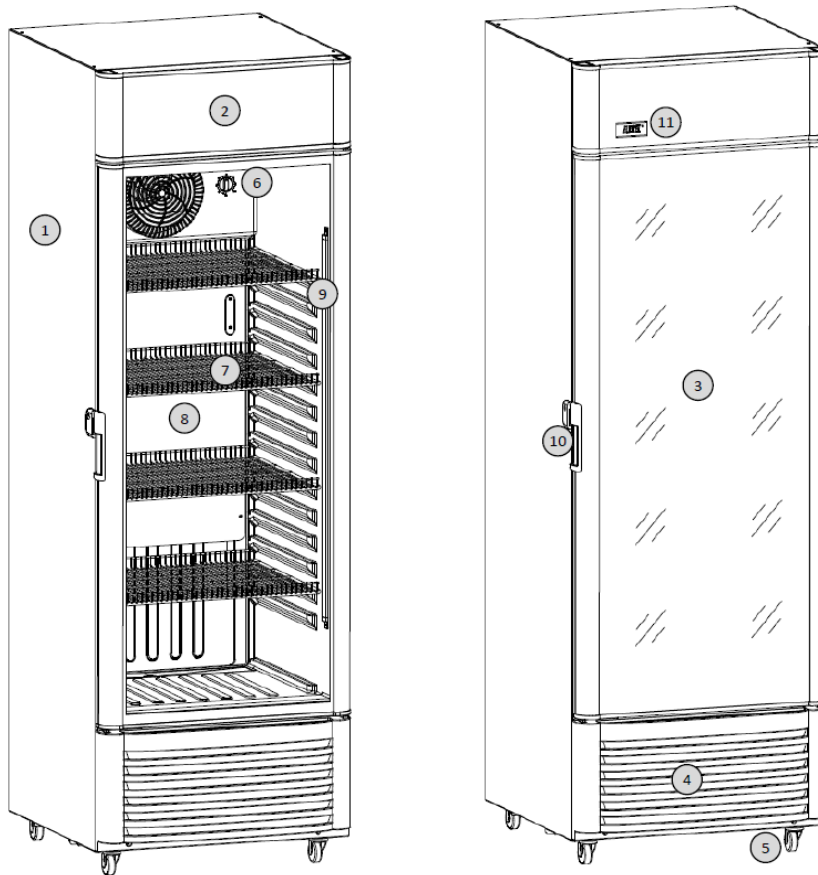
Pour les parties en verre, utilisez uniquement des produits spécifiques, en évitant l'utilisation d'eau, car celle-ci pourrait laisser des résidus de calcaire sur le verre.

1. Maintenez une distance d'au moins 10 cm entre l'armoire et le mur. Assurez-vous que l'appareil est de niveau en réglant les pieds ajustables.
2. L'armoire doit être installée sur une surface parfaitement plane, à l'abri de toute source de chaleur, y compris les rayons du soleil.
3. Ne pas installer l'appareil dans un espace ouvert et ne pas l'exposer à la pluie.



Remarque : L'illustration est une image de référence, votre appareil peut différer.

Caractéristiques du produit

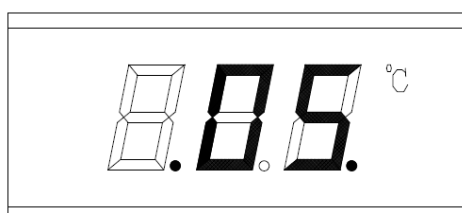
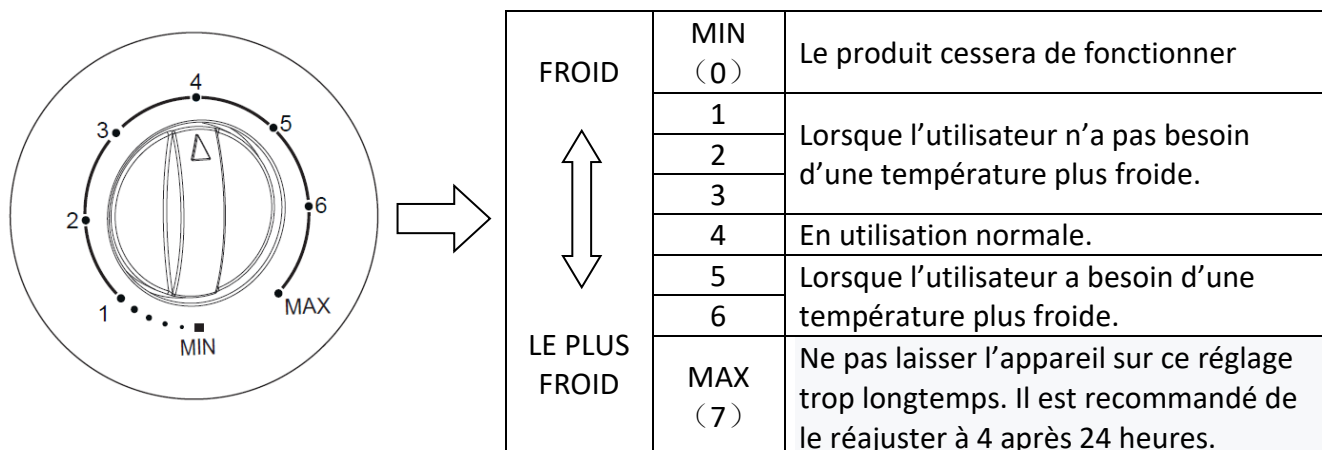


No	Description
1	Boîtier
2	Boîtier de la lampe
3	Porte en verre
4	Panneau
5	Pied
6	Bouton de réglage de la température
7	Étagère
8	Évaporateur
9	Lampe
10	Verrou
11	Affichage

Remarque : L'illustration est une image de référence, votre appareil peut différer.

Utilisation du bouton de réglage de la température

1. La température à l'intérieur de l'armoire peut être contrôlée à l'aide du bouton de réglage de la température.
2. Le bouton doit être maintenu en position verticale pour un réglage normal de la température.
 - a) FREEZING MAX est la position de refroidissement la plus forte et convient à la congélation rapide.
 - b) Ne laissez pas le bouton sur cette position pendant une longue période



- Affichage de la température.
- Selon les différents produits, l'affichage peut varier. Le produit réel fait foi.

3. **Remarque** : L'illustration est une image de référence, votre appareil peut différer.

Raccordement électrique

AVERTISSEMENT

1. Ne coupez ni ne retirez, sous aucun prétexte, la troisième broche de mise à la terre du cordon d'alimentation.
 - a) Cet appareil réfrigérant n'est pas conçu pour être utilisé avec un onduleur.
 - b) Le cordon doit être fixé derrière l'appareil et ne pas rester exposé ou suspendu pour éviter tout risque de blessure accidentelle.
2. Ne débranchez jamais le réfrigérateur (congélateur) en tirant sur le cordon d'alimentation.
 - a) Tenez fermement la fiche et tirez-la droit hors de la prise.
3. N'utilisez pas de rallonge avec cet appareil.
 - a) Si le cordon d'alimentation est trop court, faites installer une prise à proximité par un électricien ou un technicien qualifié.
 - b) L'utilisation d'une rallonge peut négativement affecter les performances de l'appareil.
4. Une mauvaise utilisation de la prise de terre peut entraîner un risque d'électrocution.
 - a) Si le cordon d'alimentation est endommagé, faites-le remplacer par un centre de service agréé.

Détails du produit

1. Compresseur performant et hermétique
 - a) Il utilise un compresseur de qualité, efficace et hermétique.
 - b) Il fonctionne avec une large plage de tension de démarrage et une température ambiante ne dépassant pas 40°C.
 - c) Le système de la vitrine est conçu pour garantir une excellente capacité de réfrigération et une économie d'énergie.
2. Affichage optimal des produits stockés
 - a) Les produits stockés sont clairement visibles grâce à une porte en verre creux luxueux.
3. Isolation thermique efficace
 - a) La couche d'isolation thermique est fabriquée en mousse de polyuréthane rigide, rendant l'appareil léger tout en assurant une excellente conservation du froid.

Précautions de sécurité

Avertissement ! Ne pas endommager le circuit du fluide réfrigérant.

Avertissement ! Ne pas percer ou endommager les parois de l'appareil, car cela pourrait entraîner une fuite du circuit de réfrigération.

Avertissement ! N'utilisez pas d'appareils électriques à l'intérieur des compartiments de stockage des aliments, sauf s'ils sont du type recommandé par le fabricant.

Avertissement !

- Cet équipement ne doit pas être utilisé par des personnes (y compris des enfants) ayant des capacités physiques, sensorielles ou mentales réduites, ou manquant d'expérience et de connaissances, sauf si elles bénéficient d'une supervision appropriée ou d'instructions sur son utilisation par une personne responsable de leur sécurité.
- Les enfants doivent être surveillés afin de s'assurer qu'ils ne jouent pas avec l'appareil.

Précautions d'utilisation

1. Déballez tous les emballages avant d'utiliser la vitrine. Ne l'inclinez pas de plus de 60° lors du déplacement.
2. Lors de la première utilisation, laissez le réfrigérateur fonctionner à vide pendant environ deux heures avant d'y stocker des aliments.
3. Le thermostat permet d'ajuster la température à l'intérieur de la vitrine. En tournant le bouton dans le sens des aiguilles d'une montre, la température diminue. Plus le chiffre est élevé, plus la température est basse. En général, la position "3-4" est idéale. La position "6" signifie un fonctionnement en continu.
4. Pour économiser de l'énergie, évitez d'ouvrir la porte fréquemment ou de la laisser ouverte trop longtemps.
5. L'intérieur et l'extérieur de la vitrine doivent rester secs et propres. Une exposition prolongée à l'humidité peut provoquer une corrosion progressive de la vitrine (des taches peuvent apparaître sur la surface).
6. Un nettoyage périodique est recommandé. En général, tous les 30 à 45 jours est idéal. Pour nettoyer, utilisez un chiffon doux imbibé d'eau savonneuse neutre ou de détergent pour essuyer l'intérieur et l'extérieur de la vitrine.
7. Attention : Pour garantir la sécurité, débranchez la prise d'alimentation avant le nettoyage.

Problèmes courants et solutions

Veillez vous référer au tableau ci-dessous pour résoudre les problèmes mineurs rencontrés lors du fonctionnement.

Problème	Cause		Vérification	Solution	Remarque
Lampe ne s'allume pas	Pas de tension	Fusible coupé	Vérification du fusible	Remplacer ou vérifier le fusible	Si nécessaire, veuillez demander à un électricien d'effectuer la maintenance.
		Mauvaise connexion entre la prise et la douille	La connexion est lâche ou non	Réparer ou changer la prise	
	Présence de tension	Mauvais contact ou usure de la lampe	Vérifier le circuit et la lampe	Serrer le contact à lame ou remplacer la lampe	Demander à un professionnel d'effectuer la maintenance.
Mauvais contact du bouton de la lampe		Le joint est-il lâche ou non	Serrer le contact à lame		
Ventilateur du condenseur ne fonctionne pas	Le compresseur fonctionne de manière irrégulière	Ventilateur du condenseur en panne	Retirer le ventilateur du condenseur	Remplacer le ventilateur du condenseur	
		Compresseur hors service	Le thermostat n'est pas en position de fonctionnement	Vérifier le régulateur de température	
		Mauvais contact avec le régulateur de température	Contact à lame	Serrer le contact à lame	

		Le régulateur de température est usé	Panne électrique.	Remplacer le régulateur de température	Demander à un professionnel d'effectuer la maintenance.
Continuer à fonctionner	Température trop élevée à l'intérieur de la boîte	Ouvrir la porte trop fréquemment		Ouvrir la porte le moins possible	Demander à un professionnel d'effectuer la maintenance.
		Trop de stockage	La circulation de l'air de refroidissement est affectée	Retirer une partie du stockage	
		Leakage of refrigerant		Réparer dans un département de maintenance désigné	
	Température trop basse à l'intérieur de la boîte	Régulateur de température hors service		Remplacer le régulateur de température	Demander à un professionnel d'effectuer la maintenance.
Large noise	Le cabinet n'est pas mis horizontalement.		Les quatre roues sont-elles au sol ou non ?	Emballer la boîte à temps	Demander à un professionnel d'effectuer la maintenance.
	La vis de fixation du compresseur ou du condenseur est desserrée.		La vis est-elle serrée ou non ?	Serrer la vis	Demander à un professionnel d'effectuer la maintenance.
Le ventilateur du condenseur fonctionne, mais le compresseur ne fonctionne pas.	La prise de démarreur ou du relais de chaleur est lâche.		Le contact à lame est-il endommagé ou non ?	Serrer le contact à lame	Demander à un professionnel d'effectuer la maintenance.
	Le compresseur est hors service.			Réparer ou remplacer le compresseur	Demander à un professionnel d'effectuer la maintenance.
	La tension est inférieure à 187V.		Vérifier la tension	Connecter avec un manostat de >1000W	
Ventilateur de l'évaporateur ne fonctionne pas.	Il ne touche pas l'interrupteur du ventilateur lorsque la porte est fermée.		Vérifier si la porte touche l'interrupteur du ventilateur ou non	Ajuster les axes de la porte pour les remonter un peu	Demander à un professionnel de maintenir
	Mauvais contact avec l'interrupteur du ventilateur		Vérifier l'interrupteur du ventilateur et le circuit	Serrer la connexion ou remplacer l'interrupteur du ventilateur	
	Ventilateur de l'évaporateur est en panne.		Retirer le ventilateur de l'évaporateur	Remplacer le ventilateur de l'évaporateur	
Câble électrique en panne				Changer le câble électrique	Si nécessaire, veuillez demander à l'électricien de maintenir.
Écran sans affichage	Affichage de la température sans tension		Vérifiez la tension		Demander à un professionnel de maintenir
			Vérifiez l'affichage de la température		
Affichage de l'écran "E1" ou "E2"	Panne du capteur		Vérifiez le capteur		Demander à un professionnel de maintenir

Remarque : Les cas suivants ne sont pas des pannes, mais des phénomènes courants :

1. Un léger bruit peut être perçu dans la vitrine réfrigérée verticale.
2. Le compresseur et le condenseur peuvent devenir chauds pendant le fonctionnement.
3. En cas d'humidité ambiante élevée, des gouttelettes de condensation peuvent apparaître sur la surface. Essuyez-les avec un chiffon doux et sec dès que possible.
4. Remarque : L'illustration est une image de référence, votre appareil peut différer.

Élimination correcte de ce produit



- Éliminez l'emballage de manière écologique.
- Cet appareil est étiqueté conformément à la directive européenne 2012/19/UE relative aux appareils électriques et électroniques usagés (Déchets d'Équipements Électriques et Électroniques - DEEE).
- Cette directive établit le cadre pour la collecte et le recyclage des appareils usagés dans toute l'Union européenne.

INFORMATIONS SUR L'EMBALLAGE

- Les matériaux d'emballage de ce produit sont fabriqués à partir de matériaux recyclables, conformément à nos réglementations environnementales nationales.
- Ne jetez pas les matériaux d'emballage avec les déchets ménagers ou autres déchets.
- Déposez-les dans les points de collecte des matériaux d'emballage désignés par les autorités locales.



VETRINA VERTICALE
MANUALE DI ISTRUZIONI

Leggere attentamente questo manuale e conservarlo per future consultazioni.

www.aspes.es

aspes@sareteknika.es

902 99 69 01 / 944 04 14 08

Indice

Istruzioni di sicurezza importanti	1
Trasporto e installazione.....	2
Caratteristiche del prodotto.....	3
Uso del pulsante di regolazione della temperatura	4
Collegamento elettrico.....	5
Dettagli del prodotto	5
Precauzioni di sicurezza	5
Precauzioni d'uso	6
Problemi comuni e soluzioni	6
Smaltimento corretto di questo prodotto	8

Importatore:

Cari utenti (clienti), questo manuale contiene le conoscenze di base sul prodotto, le istruzioni d'uso, la diagnosi dei guasti e i metodi di riparazione di base.

A fin di comprendere meglio e utilizzare questo prodotto, prendetevi cura di questo Manuale e leggetelo attentamente.

Istruzioni di sicurezza importanti

1. L'intervallo di tensione operativa è di 187V~254V. Per evitare danni alle prestazioni elettriche del compressore, dotare l'apparecchio di uno stabilizzatore di tensione con una potenza inferiore a 500W, per proteggere il frigorifero quando la tensione è inferiore a 187V o superiore a 254V.
2. Deve essere utilizzata una presa monofase individuale, collegata in modo affidabile a un filo di messa a terra.
⚠ Attenzione: È vietato collegare il filo di messa a terra a una tubatura dell'acqua o del gas.
3. È vietato conservare nella vetrina basi solide, acidi forti, solventi organici, prodotti corrosivi o sostanze che possano contaminare gli alimenti, poiché possono causare corrosione o incidenti.
4. Non sollevare la vetrina né rimuovere la struttura dei componenti elettrici, poiché ciò potrebbe causare deterioramento dell'isolamento e corrosione.
5. Se la vetrina non viene utilizzata per un lungo periodo:
 - a) Scollegare l'alimentazione elettrica.
 - b) Pulirla accuratamente.
 - c) Controllare lo stato del circuito prima di riutilizzarla.
6. Se il cavo di alimentazione è danneggiato, deve essere sostituito con un cavo speciale o con un set disponibile presso il produttore o il servizio autorizzato.
7. L'apparecchio deve essere scollegato dalla rete elettrica durante la pulizia, la manutenzione o la sostituzione dei componenti.
8. Il livello di pressione sonora ponderato A è inferiore a 70 dB(A).
9. Non conservare sostanze esplosive, come aerosol contenenti gas infiammabili, all'interno dell'apparecchio.
10. AVVISI: Rischio di incendio / Materiali infiammabili. Evitare qualsiasi rischio di incendio, non esponendo materiali infiammabili a fonti di ignizione.
11. Carico massimo delle mensole: 195,3 kg/m². Deformazione ≤ 1,04 cm/m.
12. Smaltire l'apparecchio secondo le normative locali, a causa del gas infiammabile utilizzato nell'isolamento. Prima dello smaltimento, rimuovere le porte per evitare qualsiasi rischio per i bambini.
13. AVVISI: Assicurarsi di non ostruire le aperture di ventilazione del mobile dell'apparecchio o della struttura in cui è incassato.
14. AVVISI: Non utilizzare dispositivi meccanici o altri metodi per accelerare il processo di sbrinamento, a meno che non siano consigliati dal produttore.
15. AVVISI: Non danneggiare il circuito di refrigerazione.
16. AVVISI: Non utilizzare apparecchi elettrici all'interno dei compartimenti di conservazione degli alimenti, a meno che non siano del tipo consigliato dal produttore.

17. Le condizioni di temperatura ambiente e umidità della vetrina refrigerata, in base alla classe climatica, sono indicate nella tabella seguente:

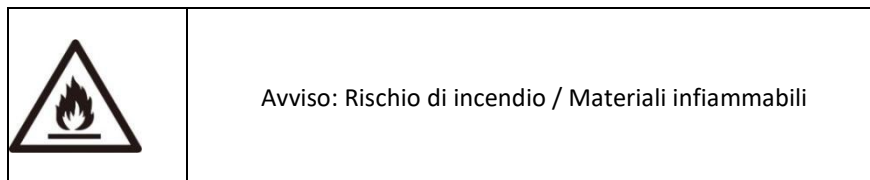
Classe climatica della sala di test	Temperatura dell'aria secca (°C)	Umidità relativa (%)	Punto di rugiada (°C)	Massa di vapore acqueo nell'aria secca (g/kg)
0	20	50	9.3	7.3
1	16	80	12.6	9.1
8	23.9	55	14.3	10.2
2	22	65	15.2	10.8
3	25	60	16.7	12.0
4	30	55	20.0	14.8
6	27	70	21.1	15.8
5	40	40	23.9	18.8
7	35	75	30.0	27.3

OSSERVAZIONE:

La massa di vapore acqueo nell'aria secca è uno dei principali fattori che influenzano le prestazioni e il consumo energetico delle vetrine refrigerate.

Pertanto, l'ordine delle classi climatiche nella tabella si basa sulla colonna "Massa di vapore acqueo". Consultare anche l'Allegato B per confrontare le condizioni di laboratorio con le condizioni del negozio.

Nota: L'illustrazione è un'immagine di riferimento, il vostro apparecchio potrebbe essere differente.

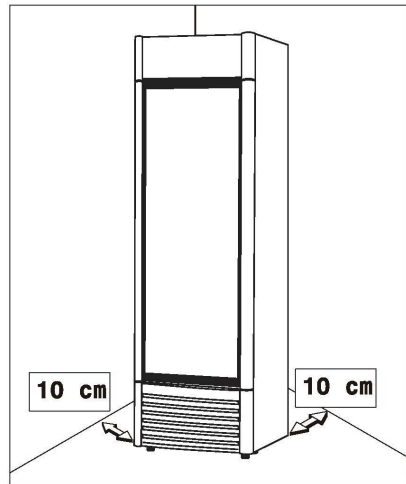


Trasporto e installazione

Rimuovere l'imballaggio e pulire completamente il mobile con acqua tiepida aggiunta al 5% di sapone neutro, quindi asciugare con un panno morbido.

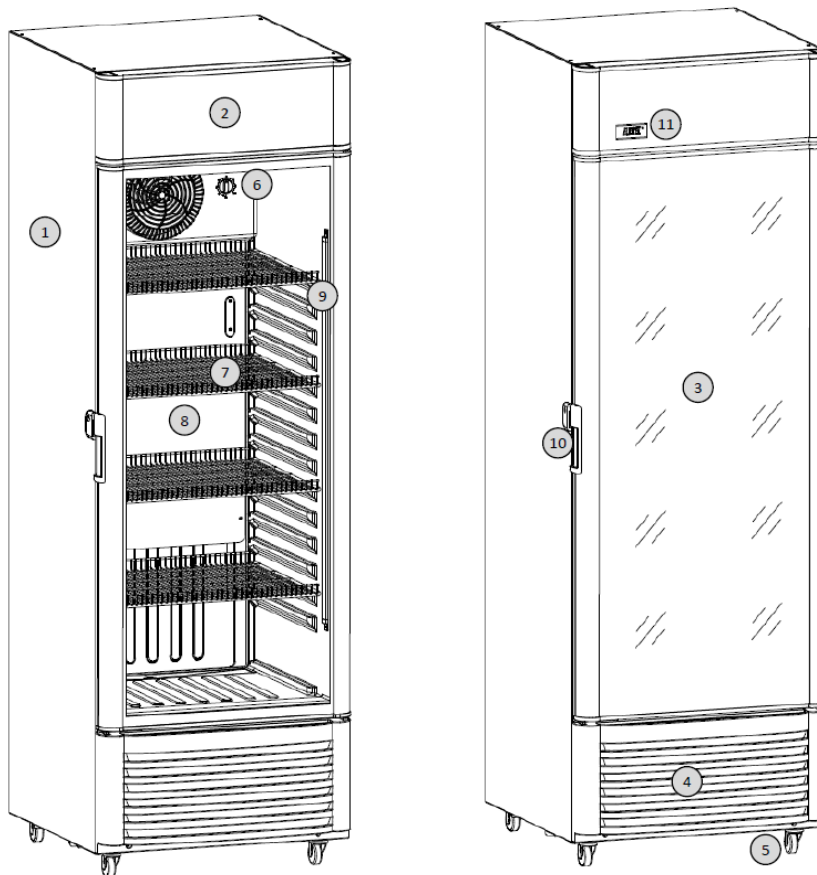
Per le parti in vetro, utilizzare solo prodotti specifici, evitando l'uso di acqua, poiché potrebbe lasciare residui di calcare sul vetro.

1. Mantenere una distanza di almeno 10 cm tra il mobile e la parete. Assicurarsi che l'apparecchio sia livellato regolando i piedini.
2. Il mobile deve essere installato su una superficie perfettamente piana, lontano da qualsiasi fonte di calore, inclusa la luce solare diretta.
3. Non installare l'apparecchio in uno spazio aperto né esporlo alla pioggia.



Osservazione: L'illustrazione è un'immagine di riferimento, il vostro apparecchio potrebbe essere diverso.

Caratteristiche del prodotto

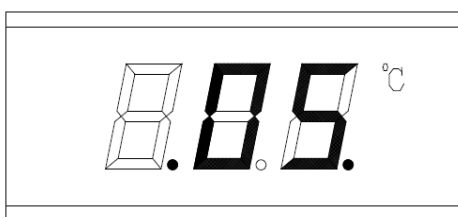
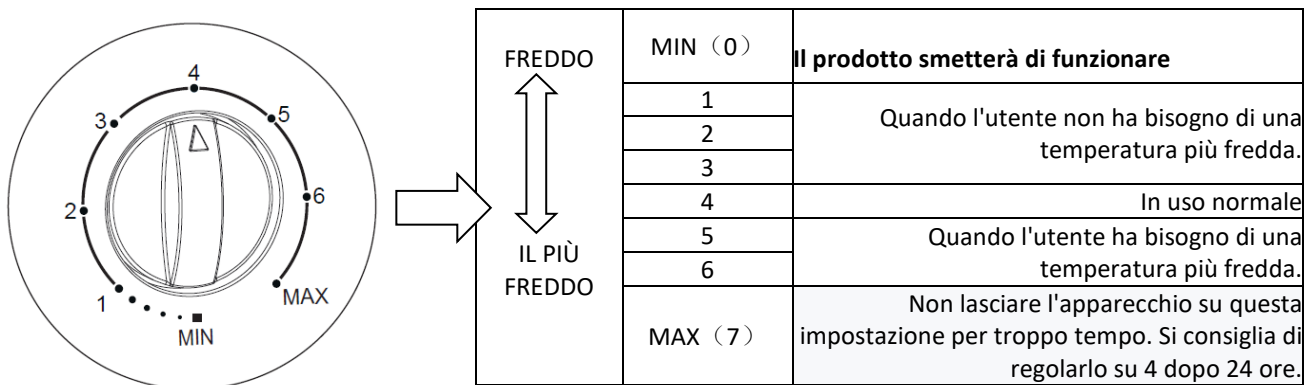


N°	Descrizione
1	Mobile
2	Scatola della lampada
3	Porta in vetro
4	Pannello
5	Piedino
6	Pulsante di regolazione della temperatura
7	Mensola
8	Evaporatore
9	Lampada
10	Blocco
11	Display

Osservazione: L'illustrazione è un'immagine di riferimento, il vostro apparecchio potrebbe essere diverso.

Uso del pulsante di regolazione della temperatura

1. La temperatura all'interno del mobile può essere controllata utilizzando il pulsante di regolazione della temperatura.
2. Il pulsante deve essere mantenuto in posizione verticale per una regolazione normale della temperatura.
 - a) FREEZING MAX è la posizione di raffreddamento più forte ed è adatta per il congelamento rapido.
 - b) Non lasciare il pulsante in questa posizione per un lungo periodo.



Visualizzazione della temperatura.
A seconda dei diversi prodotti, la visualizzazione può variare. Prevale il prodotto reale.

3. Osservazione: L'illustrazione è un'immagine di riferimento, il vostro apparecchio potrebbe essere diverso.

Collegamento elettrico

AVVISO

1. Non tagliare né rimuovere, in nessun caso, il terzo pin di messa a terra del cavo di alimentazione.
 - a) Questo apparecchio refrigerante non è progettato per essere utilizzato con un gruppo di continuità (UPS).
 - b) Il cavo deve essere fissato dietro l'apparecchio e non deve essere esposto o penzolante per evitare qualsiasi rischio di incidente.
2. Non scollegare mai il frigorifero (o congelatore) tirando il cavo di alimentazione.
 - a) Afferrate saldamente la spina e tiratela direttamente fuori dalla presa.
3. Non utilizzare prolunghe con questo apparecchio.
 - a) Se il cavo di alimentazione è troppo corto, richiedere l'installazione di una presa vicina a un elettricista o tecnico qualificato.
 - b) L'uso di una prolunga potrebbe influire negativamente sulle prestazioni dell'apparecchio.
4. Un'errata messa a terra può causare il rischio di scosse elettriche.
 - a) Se il cavo di alimentazione è danneggiato, sostituitelo presso un centro di assistenza autorizzato.

Dettagli del prodotto

1. Compressore ad alte prestazioni e sigillato
 - a) Utilizza un compressore di qualità, efficiente ed ermetico.
 - b) Opera con un'ampia gamma di tensione di avviamento e temperatura ambiente non superiore a 40°C.
 - c) Il sistema della vetrina è progettato per garantire eccellente capacità di raffreddamento ed efficienza energetica.
2. Esposizione ottimale dei prodotti conservati
 - a) I prodotti all'interno della vetrina sono chiaramente visibili grazie a una porta in vetro doppio di alta qualità.
3. Isolamento termico efficiente
 - a) Lo strato di isolamento termico è realizzato in schiuma rigida di poliuretano, che rende l'apparecchio leggero e garantisce un'ottima conservazione del freddo.

Precauzioni di sicurezza

AVVISO! Non danneggiare il circuito del fluido refrigerante.

AVVISO! Non perforare né danneggiare le pareti dell'apparecchio, poiché ciò potrebbe causare una perdita nel sistema di refrigerazione.

AVVISO! Non utilizzare apparecchi elettrici all'interno dei compartimenti di conservazione degli alimenti, a meno che non siano del tipo raccomandato dal produttore.

AVVISO!

- Questo apparecchio non deve essere utilizzato da persone (compresi bambini) con ridotte capacità fisiche, sensoriali o mentali, o prive di esperienza e conoscenza, a meno che non siano sotto supervisione o abbiano ricevuto istruzioni da una persona responsabile della loro sicurezza.
- I bambini devono essere sorvegliati per garantire che non giochino con l'apparecchio.

Precauzioni d'uso

1. Rimuovere tutti gli imballaggi prima di utilizzare la vetrina. Non inclinarla oltre 60° durante il trasporto.
2. Al primo utilizzo, lasciare il frigorifero funzionare vuoto per circa due ore prima di riporre alimenti all'interno.
3. Il termostato consente di regolare la temperatura all'interno della vetrina.
 - a) Ruotando la manopola in senso orario, la temperatura diminuisce.
 - b) Maggiore è il numero, più bassa sarà la temperatura. In genere, la posizione "3-4" è ideale.
 - c) La posizione "6" indica un funzionamento continuo.
4. Per risparmiare energia, evitare di aprire frequentemente la porta o di lasciarla aperta troppo a lungo.
5. L'interno e l'esterno della vetrina devono rimanere asciutti e puliti.
 - a) L'esposizione prolungata all'umidità può causare corrosione, e possono apparire macchie sulla superficie.
6. Si consiglia una pulizia periodica ogni 30-45 giorni.
 - a) Per pulire, utilizzare un panno morbido inumidito con acqua e sapone neutro o un detergente adatto per pulire l'interno e l'esterno della vetrina.

Attenzione: Per garantire la sicurezza, scollegare la spina dalla presa prima della pulizia.

Problemi comuni e soluzioni

Consultare la tabella seguente per risolvere piccoli problemi riscontrati durante il funzionamento.

Problème	Cause		Verifica	Soluzione	Nota
La lampada non si accende	Nessuna tensione	Fusibile interrotto	Controllo del fusibile	Sostituire o verificare il fusibile	Se necessario, chiedere a un elettricista di effettuare la manutenzione.
		Connessione difettosa tra la presa e il portalampada	La connessione è allentata o no	Riparare o cambiare la presa	
	Presenza di tensione	Contatto difettoso o usura della lampada	Verificare il circuito e la lampada	Stringere il contatto a lamella o sostituire la lampada	Chiedere a un professionista di effettuare la manutenzione.
		Contatto difettoso del pulsante	La guarnizione è allentata o no	Stringere il contatto a lamella	

Il ventilatore del condensatore non funziona	Il compressore funziona in modo irregolare	Ventilatore del condensatore guasto	Rimuovere il ventilatore del condensatore	Sostituire il ventilatore del condensatore	
	Compressore fuori servizio	Il termostato non è in posizione di funzionamento	Verificare il regolatore di temperatura	Ruotare la manopola in posizione di funzionamento	
		Contatto difettoso con il regolatore di temperatura	Contatto a lama	Stringere il contatto a lamella	
		Il regolatore di temperatura è usurato	Guasto elettrico	Sostituire il regolatore di temperatura	Chiedere a un professionista di effettuare la manutenzione.
Continua a funzionare	Temperatura troppo alta all'interno della scatola	Aprire la porta troppo frequentemente		Aprire la porta il meno possibile	Chiedere a un professionista di effettuare la manutenzione.
		Troppo stoccaggio	La circolazione dell'aria di raffreddamento è compromessa	Rimuovere una parte dello stoccaggio	
		Perdita di refrigerante		Riparare in un reparto di manutenzione designato	
	Temperatura troppo bassa all'interno della scatola	Regolatore di temperatura fuori servizio		Sostituire il regolatore di temperatura	Chiedere a un professionista di effettuare la manutenzione.
Rumore forte	L'armadio non è posizionato orizzontalmente.		Le quattro ruote sono a terra o no?	Imballare la scatola in tempo	Chiedere a un professionista di effettuare la manutenzione.
	La vite di fissaggio del compressore o del condensatore è allentata.		La vite è serrata o no?	Stringere la vite	Chiedere a un professionista di effettuare la manutenzione.
Il ventilatore del condensatore funziona, ma il compressore non funziona	La presa di avviamento o il relè termico è allentato.		Il contatto a lama è danneggiato o no?	Stringere il contatto a lamella	Chiedere a un professionista di effettuare la manutenzione.
	Il compressore è fuori servizio.			Riparare o sostituire il compressore	Chiedere a un professionista di effettuare la manutenzione.
	La tensione è inferiore a 187V.		Verificare la tensione	Collegare con un manostato da >1000W	Chiedere a un professionista di effettuare la manutenzione.
Il ventilatore dell'evaporatore non funziona	Non entra in contatto con l'interruttore del ventilatore quando la porta è chiusa..		Verificare se la porta tocca l'interruttore del ventilatore o no	Regolare gli assi della porta per sollevarli leggermente	Chiedere a un professionista di effettuare la manutenzione.
	Contatto difettoso con l'interruttore del ventilatore.		Verificare l'interruttore del ventilatore e il circuito	Stringere la connessione o sostituire l'interruttore del ventilatore	
	Il ventilatore dell'evaporatore è guasto.		Rimuovere il ventilatore dell'evaporatore	Sostituire il ventilatore dell'evaporatore	
Cavo elettrico guasto				Cambiare il cavo elettrico	Chiedere a un professionista di effettuare la manutenzione.
Schermo senza display	Visualizzazione della temperatura senza tensione.		Verificare la tensione		Chiedere a un professionista di effettuare la manutenzione.
			Verificare la visualizzazione della temperatura		

Lo schermo mostra "E1" o "E2"	Guasto del sensore.	Verificare il sensore	Chiedere a un professionista di effettuare la manutenzione.
-------------------------------	---------------------	-----------------------	---

Osservazione: I seguenti casi non sono guasti, ma fenomeni normali:

1. Si può udire un leggero rumore all'interno della vetrina refrigerata verticale.
2. Il compressore e il condensatore possono diventare caldi durante il funzionamento.
3. In caso di elevata umidità ambientale, possono comparire goccioline di condensa sulla superficie. Pulirle con un panno morbido e asciutto il prima possibile.
4. Osservazione: L'illustrazione è un'immagine di riferimento, il vostro apparecchio potrebbe essere diverso.

Smaltimento corretto di questo prodotto



- Smaltire l'imballaggio in modo ecologico.
- Questo apparecchio è etichettato in conformità con la **Direttiva Europea 2012/19/UE** relativa ai rifiuti di apparecchiature elettriche ed elettroniche (**RAEE**).
- Questa direttiva stabilisce il quadro per la raccolta e il riciclo degli apparecchi usati in tutta l'Unione Europea.

INFORMAZIONI SULL'IMBALLAGGIO

- I materiali di imballaggio di questo prodotto sono realizzati con materiali riciclabili, in conformità con le normative ambientali nazionali.
- Non smaltire i materiali di imballaggio insieme ai rifiuti domestici o ad altri tipi di rifiuti.
- Depositarli nei punti di raccolta dei materiali riciclabili designati dalle autorità locali.



VITRINE VERTICAL MANUAL DE INSTRUÇÕES

Leia atentamente este manual e guarde-o para futuras referências

www.aspes.es

aspes@sareteknika.es

902 99 69 01 / 944 04 14 08

Índice

Instruções de segurança importantes.....	1
Transporte e instalação.....	2
Características do produto	3
Uso do botão de ajuste de temperatura.....	4
Conexão elétrica	5
Detalhes do produto	5
Precauções de segurança	5
Precauções de uso	6
Problemas comuns e soluções.....	6
Descarte correto deste produto	8

Importador

Caros usuários (clientes), este manual contém os conhecimentos básicos sobre o produto, as instruções de uso, o diagnóstico de falhas e os métodos básicos de reparo. A fim de compreender melhor e utilizar este produto, cuide bem deste Manual e leia-o atentamente.

Instruções de segurança importantes

1. A faixa de tensão de operação é de 187V~254V. Para evitar danos ao desempenho elétrico do compressor, equipe o aparelho com um estabilizador de tensão com potência inferior a 500W, para proteger o refrigerador quando a tensão estiver abaixo de 187V ou acima de 254V.
2. Deve ser utilizada uma tomada monofásica individual, conectada de forma confiável a um fio de aterramento.
Atenção: É proibido conectar o fio de aterramento a um encanamento de água ou gás.
3. É proibido armazenar na vitrine bases sólidas, ácidos fortes, solventes orgânicos, produtos corrosivos ou substâncias que possam contaminar os alimentos, sob risco de corrosão ou acidente.
4. Não levante a vitrine nem remova a carcaça dos componentes elétricos, pois isso pode resultar em deterioração do isolamento e corrosão.
5. Quando a vitrine não for utilizada por um longo período: Desconecte a alimentação elétrica. Limpe-a. Verifique o estado do circuito antes de reutilizá-la.
6. Se o cabo de alimentação estiver danificado, ele deve ser substituído por um cabo especial ou um conjunto disponível junto ao fabricante ou ao serviço autorizado.
7. O aparelho deve ser desconectado da rede elétrica durante a limpeza, manutenção ou substituição de peças.
8. O nível de pressão sonora ponderado A é inferior a 70 dB(A).
9. Não armazene substâncias explosivas, como aerossóis contendo gás inflamável, dentro do aparelho.
10. **AVISO:** Risco de incêndio / Materiais inflamáveis. Evite qualquer risco de incêndio, não expondo materiais inflamáveis a fontes de ignição.
11. Carga máxima das prateleiras: 195,3 kg/m². Deformação ≤ 1,04 cm/m.
12. Respeite os regulamentos locais sobre a eliminação do aparelho devido ao gás inflamável utilizado no isolamento. Antes do descarte, remova as portas para evitar qualquer risco para crianças.
13. **AVISO:** Certifique-se de não obstruir as aberturas de ventilação do gabinete do aparelho ou da estrutura onde está embutido.
14. **AVISO:** Não use dispositivos mecânicos ou outros métodos para acelerar o processo de degelo, a menos que sejam recomendados pelo fabricante.
15. **AVISO:** Não danifique o circuito de refrigeração.
16. **AVISO:** Não utilize aparelhos elétricos no interior dos compartimentos de armazenamento de alimentos, a menos que sejam do tipo recomendado pelo fabricante.

a) As condições de temperatura ambiente e umidade da vitrine refrigerada de acordo com a classe climática estão indicadas na tabela abaixo:

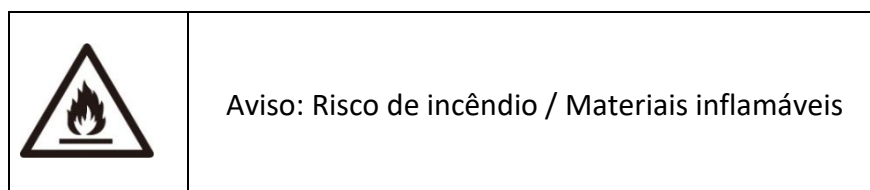
Classe climática da sala de teste	Temperatura do ar seco (°C)	Umidade relativa (%)	Ponto de orvalho (°C)	Massa de vapor d'água no ar seco (g/kg)
0	20	50	9.3	7.3
1	16	80	12.6	9.1
8	23.9	55	14.3	10.2
2	22	65	15.2	10.8
3	25	60	16.7	12.0
4	30	55	20.0	14.8
6	27	70	21.1	15.8
5	40	40	23.9	18.8
7	35	75	30.0	27.3

OBSERVAÇÃO:

A massa de vapor d'água no ar seco é um dos principais fatores que influenciam o desempenho e o consumo de energia das vitrines refrigeradas.

Portanto, a ordem das classes climáticas na tabela é baseada na coluna "Massa de vapor d'água". Consulte também o Anexo B para comparar as condições de laboratório com as condições da loja.

Observação: A ilustração é uma imagem de referência, seu aparelho pode ser diferente.

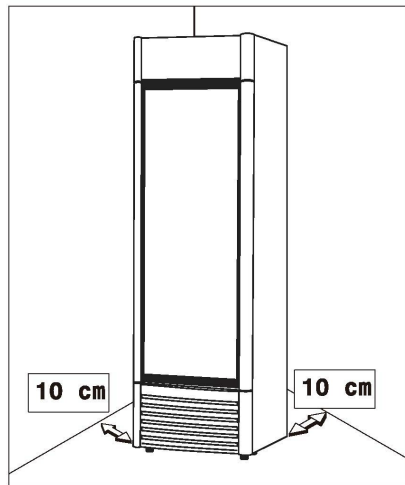


Transporte e instalação

Remova a embalagem e limpe completamente o gabinete com água morna adicionada de 5% de sabão neutro, depois seque com um pano macio.

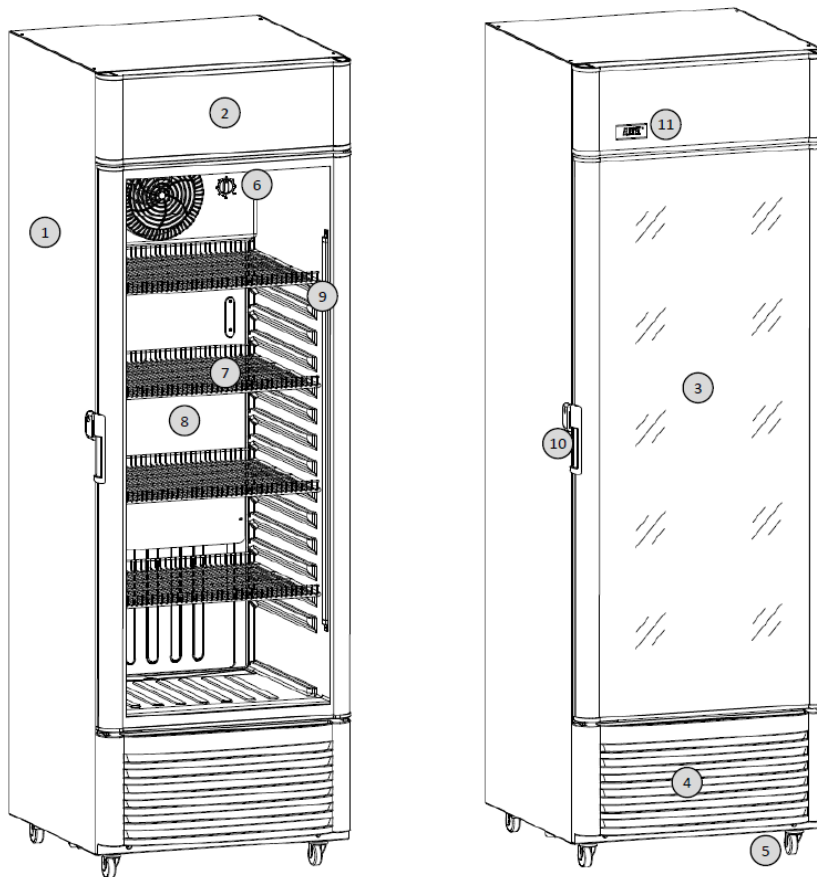
Para as partes de vidro, utilize apenas produtos específicos, evitando o uso de água, pois esta pode deixar resíduos de calcário no vidro.

1. Mantenha uma distância de pelo menos 10 cm entre o gabinete e a parede. Certifique-se de que o aparelho está nivelado ajustando os pés reguláveis.
2. O gabinete deve ser instalado sobre uma superfície perfeitamente plana, longe de qualquer fonte de calor, incluindo a luz solar direta.
3. Não instale o aparelho em um espaço aberto nem o exponha à chuva



Observação: A ilustração é uma imagem de referência, seu aparelho pode ser diferente.

Características do produto

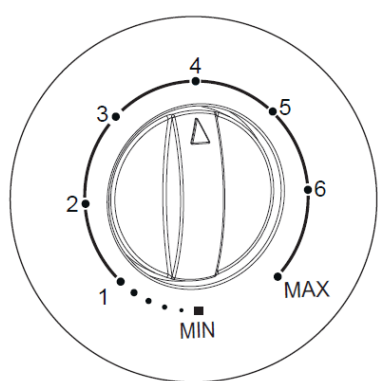


Nº	Descrição
1	Gabinete
2	Caixa da lâmpada
3	Porta de vidro
4	Painel
5	Pé
6	Botão de ajuste de temperatura
7	Prateleira
8	Evaporador
9	Lâmpada
10	Trava
11	Display

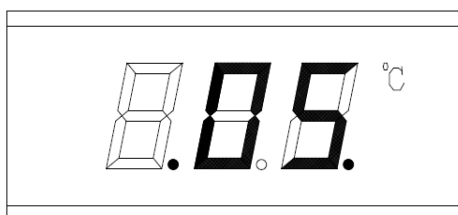
Observação: A ilustração é uma imagem de referência, seu aparelho pode ser diferente.

Uso do botão de ajuste de temperatura

1. A temperatura dentro do gabinete pode ser controlada usando o botão de ajuste de temperatura.
2. O botão deve ser mantido na posição vertical para um ajuste normal da temperatura.
 - a) FREEZING MAX é a posição de resfriamento mais forte e é adequada para congelamento rápido.
 - b) Não deixe o botão nesta posição por um longo período.



FRIO ↑ ↓ O MAIS FRIO	MIN (0)	O produto deixará de funcionar
	1	Quando o usuário não precisar de uma temperatura mais fria.
	2	
	3	
	4	Em uso normal.
	5	Quando o usuário precisar de uma temperatura mais fria.
	6	
MAX (7)	Não deixe o aparelho neste ajuste por muito tempo. Recomenda-se reajustá-lo para 4 após 24 horas.	



- Exibição da temperatura.
- Dependendo dos diferentes produtos, a exibição pode variar. O produto real prevalece.

3. Observação: A ilustração é uma imagem de referência, seu aparelho pode ser diferente.

Conexão elétrica

AVISO

1. Não corte nem remova, sob nenhuma circunstância, o terceiro pino de aterramento do cabo de alimentação.
 - a) Este aparelho refrigerador não foi projetado para ser usado com um nobreak (UPS).
 - b) O cabo deve ser fixado atrás do aparelho e não deve ficar exposto ou pendurado para evitar qualquer risco de acidente.
2. Nunca desconecte o refrigerador (freezer) puxando o cabo de alimentação.
 - a) Segure firmemente o plugue e puxe-o diretamente para fora da tomada.
3. Não utilize extensões com este aparelho.
 - a) Se o cabo de alimentação for muito curto, solicite a instalação de uma tomada próxima por um eletricitista ou técnico qualificado.
 - b) O uso de uma extensão pode afetar negativamente o desempenho do aparelho.
4. O uso inadequado do aterramento pode causar risco de choque elétrico.
 - a) Se o cabo de alimentação estiver danificado, substitua-o em um centro de serviço autorizado.

Detalhes do produto

1. Compressor de alto desempenho e hermético
 - Utiliza um compressor de qualidade, eficiente e hermético.
 - Opera com uma ampla faixa de tensão de partida e temperatura ambiente não superior a 40°C.
 - O sistema da vitrine foi projetado para garantir excelente capacidade de refrigeração e economia de energia.
2. Exibição ideal dos produtos armazenados
 - Os produtos armazenados são claramente visíveis graças a uma porta de vidro duplo de alta qualidade.
3. Isolamento térmico eficiente
 - A camada de isolamento térmico é feita de espuma rígida de poliuretano, tornando o aparelho leve e garantindo excelente conservação do frio.

Precauções de segurança

Aviso! Não danifique o circuito do fluido refrigerante.

Aviso! Não perfure nem danifique as paredes do aparelho, pois isso pode causar vazamento do sistema de refrigeração.

Aviso! Não utilize aparelhos elétricos dentro dos compartimentos de armazenamento de alimentos, a menos que sejam do tipo recomendado pelo fabricante.

Aviso!

- Este equipamento não deve ser utilizado por pessoas (incluindo crianças) com capacidades físicas, sensoriais ou mentais reduzidas, ou que não tenham experiência e conhecimento, a menos que estejam sob supervisão adequada ou tenham recebido instruções sobre seu uso por uma pessoa responsável por sua segurança.
- As crianças devem ser supervisionadas para garantir que não brinquem com o aparelho.

Precauções de uso

1. Retire todas as embalagens antes de usar a vitrine. Não a incline mais de 60° durante o transporte.
2. Na primeira utilização, deixe o refrigerador funcionar vazio por cerca de duas horas antes de armazenar alimentos.
3. O termostato permite ajustar a temperatura dentro da vitrine. Girando o botão no sentido horário, a temperatura diminui. Quanto maior o número, mais baixa será a temperatura. Geralmente, a posição "3-4" é ideal. A posição "6" significa operação contínua.
4. Para economizar energia, evite abrir a porta com frequência ou deixá-la aberta por muito tempo.
5. O interior e o exterior da vitrine devem permanecer secos e limpos. A exposição prolongada à umidade pode causar corrosão gradual na vitrine (manchas podem aparecer na superfície).
6. Recomenda-se uma limpeza periódica. Geralmente, a cada 30 a 45 dias é ideal. Para limpar, utilize um pano macio umedecido com água e sabão neutro ou detergente para limpar o interior e o exterior da vitrine.

Atenção: Para garantir a segurança, desconecte o plugue da tomada antes da limpeza.

Problemas comuns e soluções

Consulte a tabela abaixo para resolver pequenos problemas encontrados durante o funcionamento.

Problema	Causa		Verificação	Solução	Observação
A lâmpada não acende	Sem tensão	Fusível queimado	Verificação do fusível	Substituir ou verificar o fusível	Se necessário, solicite a um eletricista para realizar a manutenção.
		Má conexão entre a tomada e o soquete	A conexão está frouxa ou não	Reparar ou trocar a tomada	
	Presença de tensão	Mau contato ou desgaste da lâmpada	Verificar o circuito e a lâmpada	Apertar o contato da lâmina ou substituir a lâmpada	Solicite a um profissional para

		Mau contato do botão da lâmpada	O encaixe está frouxo ou não	Apertar o contato da lâmina	realizar a manutenção.
O ventilador do condensador não funciona	O compressor funciona de maneira irregular	Ventilador do condensador com defeito	Remover o ventilador do condensador	Substituir o ventilador do condensador	
		Compressor fora de serviço	O termostato não está na posição de funcionamento	Verificar o regulador de temperatura	
		Mau contato com o regulador de temperatura	Contato da lâmina	Apertar o contato da lâmina	
		O regulador de temperatura está desgastado	Falha elétrica	Substituir o regulador de temperatura	
Continuar funcionando	Temperatura muito alta dentro da caixa	Abrir a porta com muita frequência		Abrir a porta o mínimo possível	Solicitar a um profissional para realizar a manutenção.
		Muito armazenamento	A circulação do ar de resfriamento está afetada	Remover parte do armazenamento	
		Vazamento de refrigerante		Reparar em um departamento de manutenção designado	
	Temperatura muito baixa dentro da caixa	Regulador de temperatura fora de serviço		Substituir o regulador de temperatura	
Ruído alto	O gabinete não está nivelado.		As quatro rodas estão no chão ou não?	Embalar a caixa a tempo.	Solicitar a um profissional para realizar a manutenção.
	O parafuso de fixação do compressor ou do condensador está solto.		O parafuso está apertado ou não?	Apertar o parafuso.	Solicitar a um profissional para realizar a manutenção.
O ventilador do condensador funciona, mas o compressor não funciona.	A tomada do motor de partida ou o relé térmico está solto.		O contato de lâmina está danificado ou não?	Apertar o contato de lâmina.	Solicitar a um profissional para realizar a manutenção.
	O compressor está com defeito			Reparar ou substituir o compressor.	Solicitar a um profissional para realizar a manutenção.
	A tensão está abaixo de 187V.		Verificar a tensão.	Conectar com um manostato de >1000W.	
O ventilador do evaporador não funciona.	O interruptor do ventilador não é acionado quando a porta está fechada.		Verificar se a porta toca o interruptor do ventilador ou não.	Ajustar os eixos da porta para levantá-los um pouco.	Solicitar a um profissional para realizar a manutenção.
	Mau contato com o interruptor do ventilador.		Verificar o interruptor do ventilador e o circuito.	Apertar a conexão ou substituir o interruptor do ventilador.	
	O ventilador do evaporador está com defeito		Remover o ventilador do evaporador.	Substituir o ventilador do evaporador.	
Cabo elétrico com defeito.				Trocar o cabo elétrico.	Se necessário, solicite ao eletricista para realizar a manutenção.
Tela sem exibição	Exibição da temperatura sem tensão		Verifique a tensão		Solicite a um profissional para realizar a manutenção.
			Verifique a exibição da temperatura		
Exibição na tela "E1" ou "E2"	Falha no sensor		Verifique o sensor		Solicite a um profissional para realizar a manutenção.

Observação: Os seguintes casos não são falhas, mas fenômenos normais:

1. Um leve ruído pode ser ouvido dentro da vitrine refrigerada vertical.
2. O compressor e o condensador podem ficar quentes durante o funcionamento.
3. Em caso de alta umidade ambiente, podem aparecer gotículas de condensação na superfície. Limpe-as com um pano macio e seco o mais rápido possível.
4. Observação: A ilustração é uma imagem de referência, seu aparelho pode ser diferente.

Descarte correto deste produto



- Descarte a embalagem de maneira ecológica.
- Este aparelho está etiquetado de acordo com a **Diretiva Europeia 2012/19/UE** relativa a equipamentos elétricos e eletrônicos usados (Resíduos de Equipamentos Elétricos e Eletrônicos - REEE).
- Essa diretiva estabelece o quadro para a coleta e reciclagem de aparelhos usados em toda a União Europeia.

INFORMAÇÕES SOBRE A EMBALAGEM

- Os materiais da embalagem deste produto são fabricados a partir de materiais recicláveis, em conformidade com os regulamentos ambientais nacionais.
- Não descarte os materiais da embalagem junto com resíduos domésticos ou outros tipos de lixo.
- Deposite-os nos pontos de coleta de materiais recicláveis designados pelas autoridades locais.