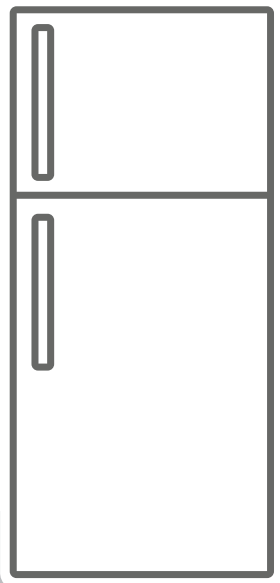


ROMMER

EN Freezer - Fridge / User Manual

ES Refrigerador - Congelador / Manual de Uso

FR Congélateur - Réfrigérateur / Guide D'utilisation








FV 355

Thank you for choosing this product.

This user manual contains important information on safety and instructions intended to assist you in the operation and maintenance of your appliance.

Please take the time to read this user manual before using your appliance and keep this book for future reference.

Icon	Type	Meaning
	WARNING	Serious injury or death risk
	RISK OF ELECTRIC SHOCK	Dangerous voltage risk
	FIRE	Warning; Risk of fire / flammable materials
	CAUTION	Injury or property damage risk
	IMPORTANT	Operating the system correctly

CONTENTS

1 SAFETY INSTRUCTIONS	4
1.1 General Safety Warnings	4
1.2 Installation warnings	8
1.3 During Usage.....	8
2 DESCRIPTION OF THE APPLIANCE	10
2.1 Dimensions.....	11
3 USING THE APPLIANCE	12
3.1 Information on Less Frost Technology.....	12
3.2 Thermostat Setting	12
3.3 Temperature Settings Warnings	12
3.4 Accessories	13
3.4.1 Ice Tray.....	13
3.4.2 Adjustable Door Shelf (<i>In some models</i>)	13
3.4.3 Maxi-fresh preserver (If available).....	14
4 FOOD STORAGE	14
4.1 Refrigerator Compartment.....	14
4.2 Freezer Compartment	15
5 CLEANING AND MAINTENANCE.....	18
5.1 Defrosting	19
5.2 Replacing the Light Bulb.....	19
6 SHIPMENT AND REPOSITIONING.....	20
6.1 Transportation and Changing Positioning	20
6.2 Repositioning the Door.....	20
7 BEFORE CALLING AFTER-SALES SERVICE	20
8 TIPS FOR SAVING ENERGY	21
9 TECHNICAL DATA.....	22
10 INFORMATION FOR TEST INSTITUTES	22
11 CUSTOMER CARE AND SERVICE	23

1 SAFETY INSTRUCTIONS

1.1 General Safety Warnings

Read this user manual carefully.

⚠ WARNING: Keep ventilation openings, in the appliance enclosure or in the built-in structure, clear of obstruction.

⚠ WARNING: Do not use mechanical devices or other means to accelerate the defrosting process, other than those recommended by the manufacturer.

⚠ WARNING: Do not use electrical appliances inside the food storage compartments of the appliance, unless they are of the type recommended by the manufacturer.

⚠ WARNING: Do not damage the refrigerant circuit.

⚠ WARNING: When positioning the appliance, ensure the supply cord is not trapped or damaged.

⚠ WARNING: Do not locate multiple portable socket-outlets or portable power supplies at the rear of the appliance.

⚠ WARNING: In order to avoid any hazards resulting from the instability of the appliance, it must be fixed in accordance with the instructions.

⚠ If your appliance uses R600a as a refrigerant (this information will be provided on the label of the cooler) you should take care during transportation and installation to prevent the cooler elements from being damaged. R600a is an environmentally friendly and

natural gas, but it is explosive. In the event of a leak due to damage of the cooler elements, move your fridge away from open flames or heat sources and ventilate the room where the appliance is located for a few minutes.

- While carrying and positioning the fridge, do not damage the cooler gas circuit.
- Do not store explosive substances such as aerosol cans with a flammable propellant in this appliance.
- This appliance is intended to be used in household and domestic applications such as:
 - staff kitchen areas in shops, offices and other working environments.
 - farm houses and by clients in hotels, motels and other residential type environments.
 - bed and breakfast type environments;
 - catering and similar non-retail applications.
- If the socket does not match the refrigerator plug, it must be replaced by the manufacturer, a service agent or similarly qualified persons in order to avoid a hazard.
- A specially grounded plug has been connected to the power cable of your refrigerator. This plug should be used with a specially grounded socket of 16 amperes. If there is no such socket in your house, please have one installed by an authorised electrician.

- This appliance can be used by children aged from 8 years and above and persons with reduced physical, sensory or mental capabilities or lack of experience and knowledge if they have been given supervision or instruction concerning use of the appliance in a safe way and understand the hazards involved. Children shall not play with the appliance. Cleaning and user maintenance shall not be made by children without supervision.
- Children aged from 3 to 8 years are allowed to load and unload refrigerating appliances. Children are not expected to perform cleaning or user maintenance of the appliance, very young children (0-3 years old) are not expected to use appliances, young children (3-8 years old) are not expected to use appliances safely unless continuous supervision is given, older children (8-14 years old) and vulnerable people can use appliances safely after they have been given appropriate supervision or instruction concerning use of the appliance. Very vulnerable people are not expected to use appliances safely unless continuous supervision is given.
- If the supply cord is damaged, it must be replaced by the manufacturer, an authorised service agent or similar qualified persons, in order to avoid a hazard.
- This appliance is not intended for use at altitudes exceeding 2000 m.

To avoid contamination of food, please respect the following instructions:

- Opening the door for long periods can cause a significant increase of the temperature in the compartments of the appliance.
- Clean regularly surfaces that can come in contact with food and accessible drainage systems
- Store raw meat and fish in suitable containers in the refrigerator, so that it is not in contact with or drip onto other food.
- Two-star frozen-food compartments are suitable for storing pre-frozen food, storing or making ice cream and making ice cubes.
- One-, two- and three-star compartments are not suitable for the freezing of fresh food.
- If the refrigerating appliance is left empty for long periods, switch off, defrost, clean, dry, and leave the door open to prevent mould developing within the appliance.

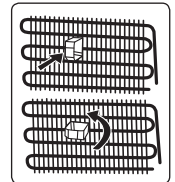
1.2 Installation warnings

Before using your fridge freezer for the first time, please pay attention to the following points:

- The operating voltage for your fridge freezer is 220-240 V at 50Hz.
- The plug must be accessible after installation.
- Your fridge freezer may have an odour when it is operated for the first time. This is normal and the odour will fade when your fridge freezer starts to cool.
- Before connecting your fridge freezer, ensure that the information on the data plate (voltage and connected load) matches that of the mains electricity supply. If in doubt, consult a qualified electrician.
- Insert the plug into a socket with an efficient ground connection. If the socket has no ground contact or the plug does not match, we recommend you consult a qualified electrician for assistance.
- The appliance must be connected with a properly installed fused socket. The power supply (AC) and voltage at the operating point must match with the details on the name plate of the appliance (the name plate is located on the inside left of the appliance).
- We do not accept responsibility for any damages that occur due to ungrounded usage.
- Place your fridge freezer where it will not be exposed to direct sunlight.
- Your fridge freezer must never be used outdoors or exposed to rain.
- Your appliance must be at least 50 cm away from stoves, gas ovens and heater cores, and at least 5 cm away from electrical ovens.
- If your fridge freezer is placed next to a deep freezer, there must be at least 2 cm between them to prevent humidity forming on the outer surface.
- Do not cover the body or top of fridge freezer with lace. This will affect the

performance of your fridge freezer.

- Clearance of at least 150 mm is required at the top of your appliance. Do not place anything on top of your appliance.
- Do not place heavy items on the appliance.
- Clean the appliance thoroughly before use (see Cleaning and Maintenance).
- Before using your fridge freezer, wipe all parts with a solution of warm water and a teaspoon of sodium bicarbonate. Then, rinse with clean water and dry. Return all parts to the fridge freezer after cleaning.
- Use the adjustable front legs to make sure your appliance is level and stable. You can adjust the legs by turning them in either direction. This must be done before placing food in the appliance.
- Install the two plastic distance guides (the parts on the black vanes -condenser- at the rear) by turning it 90° (as shown in the figure) to prevent the condenser from touching the wall.
- The distance between the appliance and back wall must be a maximum of 75 mm.



1.3 During Usage

- Do not connect your fridge freezer to the mains electricity supply using an extension lead.
- Do not use damaged, torn or old plugs.
- Do not pull, bend or damage the cord.
- Do not use plug adapter.
- This appliance is designed for use by adults. Do not allow children to play with the appliance or hang off the door.
- Never touch the power cord/plug with wet hands. This may cause a short circuit or electric shock.
- Do not place glass bottles or cans in the ice-making compartment as they will burst when the contents freeze.
- Do not place explosive or flammable material in your fridge. Place drinks with

high alcohol content vertically in the fridge compartment and make sure their tops are tightly closed.

- When removing ice from the ice-making compartment, do not touch it. Ice may cause frost burns and/or cuts.
- Do not touch frozen goods with wet hands. Do not eat ice-cream or ice cubes immediately after they are removed from the ice-making compartment.
- Do not re-freeze thawed frozen food. This may cause health issues such as food poisoning.

Old and Out-of-order Fridges

- If your old fridge or freezer has a lock, break or remove the lock before discarding it, because children may get trapped inside it and may cause an accident.
- Old fridges and freezers contain isolation material and refrigerant with CFC. Therefore, take care not to harm environment when you are discarding your old fridges.

CE Declaration of conformity

We declare that our products meet the applicable European Directives, Decisions and Regulations and the requirements listed in the standards referenced.

Disposal of your old appliance

The symbol on the product or on its packaging indicates that this product may not be treated as household waste. Instead it shall be handed over to the applicable collection point for the recycling of electrical and electronic equipment. By ensuring this product is disposed of correctly, you will help prevent potential negative consequences for the environment and human health, which could otherwise be caused by inappropriate waste handling of this product. For more detailed information about recycling of this product, please contact your local city office, your household waste disposal service or the shop where you purchased the product.



Packaging and the Environment

Packaging materials protect your machine from damage that may occur during transportation.



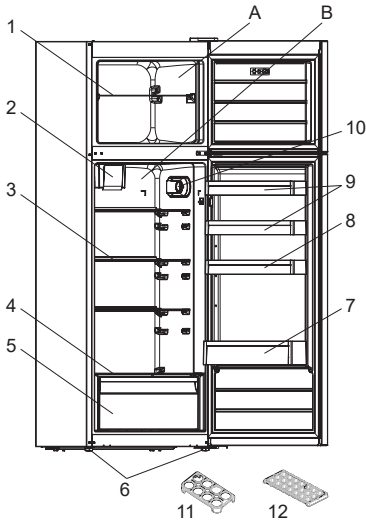
The packaging materials are environmentally friendly as they are recyclable. The use of recycled material reduces raw material consumption and therefore decreases waste production.


Notes:

- Please read the instruction manual carefully before installing and using your appliance. We are not responsible for the damage occurred due to misuse.
- Follow all instructions on your appliance and instruction manual, and keep this manual in a safe place to resolve the problems that may occur in the future.
- This appliance is produced to be used in homes and it can only be used in domestic environments and for the specified purposes. It is not suitable for commercial or common use. Such use will cause the guarantee of the appliance to be cancelled and our company will not be responsible for any losses incurred.
- This appliance is produced to be used in houses and it is only suitable for cooling / storing foods. It is not suitable for commercial or common use and/or for storing substances except for food. Our company is not responsible for any losses incurred by inappropriate usage of the appliance.

2 DESCRIPTION OF THE APPLIANCE

This appliance is not intended to be used as a built-in appliance.



 This presentation is only for information about the parts of the appliance. Parts may vary according to the appliance model.

- A) Freezer compartment
- B) Refrigerator compartment
- 1) Freezer shelf
- 2) Turbo fan *
- 3) Refrigerator shelves
- 4) Crisper cover
- 5) Crisper
- 6) Levelling feet
- 7) Bottle shelf
- 8) Adjustable door shelf * / door shelf
- 9) Door shelves
- 10) Thermostat box
- 11) Egg holder
- 12) Ice box tray

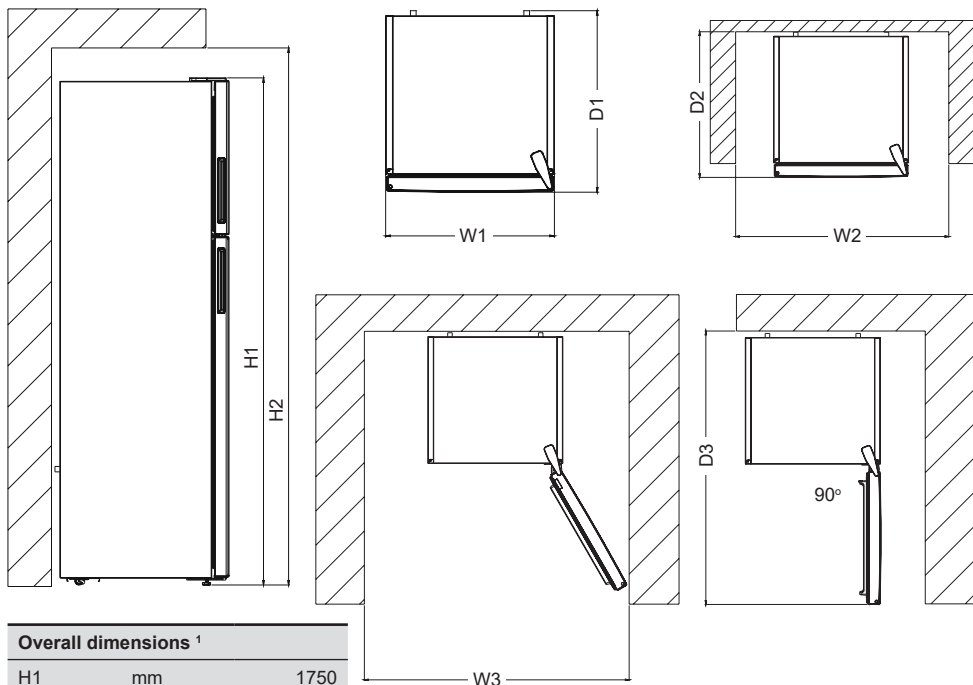
* In some models

General notes:

Fresh Food Compartment (Fridge): Most efficient use of energy is ensured in the configuration with the drawers in the bottom part of the appliance, and shelves evenly distributed, position of door bins does not affect energy consumption.

Freezer Compartment (Freezer): Most Efficient use of energy is ensured in the configuration with the drawers and bins are on stock position.

2.1 Dimensions



Overall dimensions ¹		
H1	mm	1750
W1	mm	595
D1	mm	598

¹ the height, width and depth of the appliance without the handle.

Space required in use ²		
H2	mm	1900
W2	mm	695
D2	mm	700,5

² the height, width and depth of the appliance including the handle, plus the space necessary for free circulation of the cooling air.

Overall space required in use ³		
W3	mm	990
D3	mm	1141,5

³ the height, width and depth of the appliance including the handle, plus the space necessary for free circulation of the cooling air, plus the space necessary to allow door opening to the minimum angle permitting removal of all internal equipment.

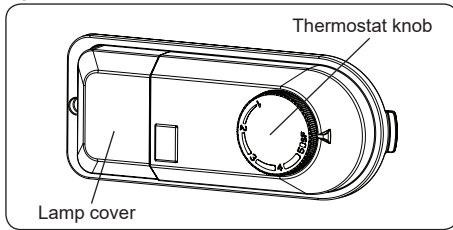
3 USING THE APPLIANCE

3.1 Information on Less Frost Technology

Thanks to the wrap around evaporator, Less Frost technology offers more efficient cooling, less manual defrost requirement, and more flexible storage room.


3.2 Thermostat Setting

The thermostat automatically regulates the temperature inside the refrigerator and freezer compartments. Cooler temperatures can be obtained by rotating the knob to higher numbers, 1 to 5 and SF.



Thermostat Settings

- Set the knob to a low/medium position, up to 3, for short-term storage of food in the appliance.
- Set the knob to a medium position, 3 or 4, for long-term storage of food in the appliance.
- Set the knob to 5 for frequent use of fresh food and freezer compartments in hot ambient temperatures.
- Turn the knob to SF to freeze fresh food quickly. In this position, the freezer compartment will operate at lower temperatures. After your food freezes, turn the thermostat knob to its normal use position. If you do not change the SF position, your appliance work will automatically return to its last used thermostat position after 48 hours. Return the thermostat switch to the SF position and return it to normal use 48 hours later.

 **Important note:** If the thermostat switch is in the SF position when your appliance is first started, your appliance work will automatically return to the operation in the thermostat-3 position 48 hours later after starting.

3.3 Temperature Settings Warnings

- The ambient temperature, temperature of the freshly stored food and how often the door is opened affects the temperature in the refrigerator compartment. If required, change the temperature setting.
- It is not recommended that you operate your fridge in environments colder than 10°C in terms of its efficiency.
- When setting the thermostat, take into consideration how often the appliance doors are opened and closed, how much food is stored in the refrigerator, and the environment in which the refrigerator is located.
- When the appliance is first switched on, allow it to run for 24 hours in order to reach operating temperature. During this time, do not open the door and do not keep a large quantity of food inside.
- Unplug your appliance during a power cut to prevent damage to the compressor. Once power is restored, delay plugging in your appliance for 5 to 10 minutes. This will help prevent damage to the appliance's components.
- Your appliance is designed to operate in the ambient temperature ranges stated in the standards, according to the climate class stated in the information label. It is not recommended that your fridge is operated in the environments which are outside of the stated temperature ranges. This will reduce the cooling efficiency of the appliance.

- Your appliance is designed to operate in the ambient temperature (N = 16°C - 32°C) intervals stated in the standards, according to the climate class displayed on the information label. We do not recommend operating your appliance out of the stated temperature limits in terms of cooling effectiveness.

Climate class and meaning:

T (tropical): This refrigerating appliance is intended to be used at ambient temperatures ranging from 16 °C to 43 °C.

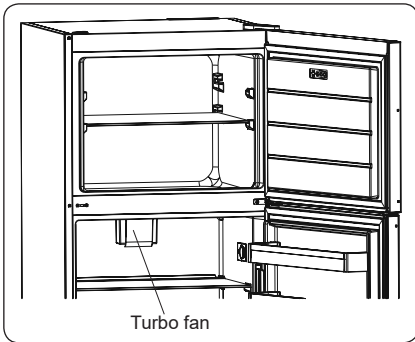
ST (subtropical): This refrigerating appliance is intended to be used at ambient temperatures ranging from 16 °C to 38 °C.

N (temperate): This refrigerating appliance is intended to be used at ambient temperatures ranging from 16 °C to 32 °C.

SN (extended temperate): This refrigerating appliance is intended to be used at ambient temperatures ranging from 10 °C to 32 °C.

The Turbo Fan (if available)

Do not block the air inlet and outlet openings when storing food, otherwise air circulation provided by the turbo fan will be impaired.

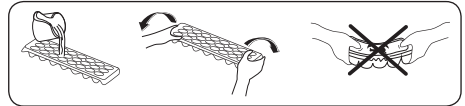


3.4 Accessories

Visual and text descriptions in the accessories section may vary according to the model of your appliance.

3.4.1 Ice Tray

- Fill the ice tray with water and place in the freezer compartment.
- After the water has completely frozen, you can twist the tray as shown below to remove the ice cubes.



3.4.2 Adjustable Door Shelf (In some models)

Six different height adjustments can be made to provide storage areas that you need by adjustable door shelf.

To change the position of adjustable door shelf ;

Hold the bottom of the shelf and pull the buttons on the side of the door shelf direction of arrow.

(Fig.1)

Position door shelf the height you need by moving up and down. After you get the position that you want the door shelf, release the buttons on the side of the door shelf (Fig.2) Before releasing the door shelf, move up down and make sure the door shelf is fixed.

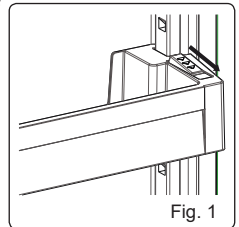


Fig. 1

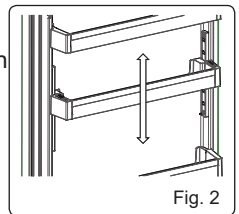


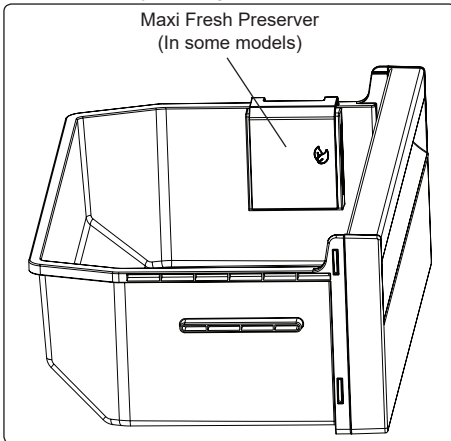
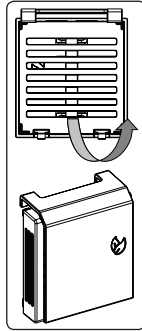
Fig. 2

Note: Before moving door shelf is loaded, you must hold the shelf by supporting the bottom. Otherwise, door shelf could fall off the rails due to the weight. So damage may occur on the door shelf or rails.

3.4.3 Maxi-fresh preserver (If available)

Maxi Fresh Preserver technology helps to remove ethylene gas (a bioproduct released naturally from fresh foods) and unpleasant odors from the crisper. In this way, food stays fresh for a longer time.

- Maxi Fresh Preserver must be cleaned once in a year. The filter should be waited for 2 hours at 65°C in a oven.
- To clean the filter, please remove the back cover of the filter box by pulling it in the direction of the arrow.
- The filter should not be washed with water or any detergent.




4 FOOD STORAGE

4.1 Refrigerator Compartment

- To reduce humidity and avoid the consequent formation of frost, always store liquids in sealed containers in the refrigerator. Frost tends to concentrate in the coldest parts of the evaporating liquid and, in time, your appliance will require more frequent defrosting.
- Never place warm food in the refrigerator. Warm food should be allowed to cool at room temperature and should be arranged to ensure adequate air circulation in the refrigerator compartment.
- Make sure no items are in direct contact with the rear wall of the appliance as frost will develop and packaging will stick to it. Do not open the refrigerator door frequently.
- We recommend that meat and clean fish are loosely wrapped and stored on the glass shelf just above the vegetable bin where the air is cooler, as this provides the best storage conditions.
- Store loose fruit and vegetable items in the crisper containers.
- Store loose fruit and vegetables in the crisper.
- Storing fruit and vegetables separately helps prevent ethylene-sensitive vegetables (green leaves, broccoli, carrot, etc.) being affected by ethylene-releaser fruits (banana, peach, apricot, fig etc.).
- Do not put wet vegetables into the refrigerator.
- Storage time for all food products depends on the initial quality of the food and an uninterrupted refrigeration cycle before refrigerator storage.
- To avoid cross-contamination do not store meat products with fruit and vegetables. Water leaking from meat may contaminate other products in the refrigerator. You should package meat

products and clean any leakages on the shelves.

- Do not put food in front of the air flow passage.
- Consume packaged foods before the recommended expiry date.

 **NOTE:** Potatoes, onions and garlic should not be stored in the refrigerator.

- For normal working conditions, it will be sufficient to adjust the temperature setting of your refrigerator to +4 °C.
- The temperature of the fridge compartment should be in the range of 0-8 °C, fresh foods below 0 °C are iced and rotted, bacterial load increases above 8 °C, and spoils.
- Do not put hot food in the refrigerator immediately, wait for the temperature to pass outside. Hot foods increase the degree of your refrigerator and cause food poisoning and unnecessary spoiling of the food.
- Meat, fish, etc. should be store in the chiller compartment of the food, and the vegetable compartment is preferred for vegetables. (if available)
- To prevent cross contamination, meat products and fruit vegetables are not stored together.
- Foods should be placed in the refrigerator in closed containers or covered to prevent moisture and odors.

The table below is a quick guide to show you the most efficient way to store the major food groups in your refrigerator compartment.

Food	Maximum storage time	How and where to store
Vegetables and fruits	1 week	Vegetable bin
Meat and fish	2 - 3 days	Wrap in plastic foil, bags, or in a meat container and store on the glass shelf
Fresh cheese	3 - 4 days	On the designated door shelf
Butter and margarine	1 week	On the designated door shelf

Food	Maximum storage time	How and where to store
Bottled products e.g. milk and yoghurt	Until the expiry date recommended by the producer	On the designated door shelf
Eggs	1 month	On the designated egg shelf
Cooked food	2 days	All shelves

4.2 Freezer Compartment

- The freezer is used for storing frozen food, freezing fresh food, and making ice cubes.
- For freezing fresh food; wrap and seal fresh food properly, that is the packaging should be air tight and shouldn't leak. Special freezer bags, aluminum foil polythene bags and plastic containers are ideal.
- Do not store fresh food next to frozen food as it can thaw the frozen food.
- Before freezing fresh food, divide it into portions that can be consumed in one sitting.
- Consume thawed frozen food within a short period of time after defrosting
- Never place warm food in the freezer compartment as it will thaw the frozen food.
- Always follow the manufacturer's instructions on food packaging when storing frozen food. If no information is provided food, should not be stored for more than 3 months from the date of purchase.
- When purchasing frozen food, make sure that it has been stored under appropriate conditions and that the packaging is not damaged.
- Frozen food should be transported in appropriate containers and placed in the freezer as soon as possible.
- Do not purchase frozen food if the packaging shows signs of humidity and abnormal swelling. It is probable that it has been stored at an unsuitable

temperature and that the contents have deteriorated.

- The storage life of frozen food depends on the room temperature, the thermostat setting, how often the door is opened, the type of food, and the length of time required to transport the product from the shop to your home. Always follow the instructions printed on the packaging and never exceed the maximum storage life indicated.
- The maximum amount of fresh food (in kg) that can be frozen in 24 hours is indicated on the appliance label.
- To freeze fresh food, ensure that as much of the surface of the food as possible is in contact with the cooling surface.

NOTE: If you attempt to open the freezer door immediately after closing it, you will find that it will not open easily. This is normal. Once equilibrium has been reached, the door will open easily.


Important note:

- Never refreeze thawed frozen food.
- The taste of some spices found in cooked dishes (anise, basilica, watercress, vinegar, assorted spices, ginger, garlic, onion, mustard, thyme, marjoram, black pepper, etc.) changes and they assume a strong taste when they are stored for a long period of time. Therefore, add small amounts of spices to food to be frozen, or the desired spice should be added after the food has thawed.
- The storage time of food is dependent on the type of oil used. Suitable oils are margarine, calf fat, olive oil and butter. Unsuitable oils are peanut oil and pig fat.
- Food in liquid form should be frozen in plastic cups and other food should be frozen in plastic folios or bags.



The table below is a quick guide to show you the most efficient way to store the major food groups in your freezer compartment.

Meat and fish	Preparation	Maximum storage time (months)
Steak	Wrap in foil	6 - 8
Lamb meat	Wrap in foil	6 - 8
Veal roast	Wrap in foil	6 - 8
Veal cubes	In small pieces	6 - 8
Lamb cubes	In pieces	4 - 8
Minced meat	In packaging without using spices	1 - 3
Giblets (pieces)	In pieces	1 - 3
Bologna sausage/salami	Should be kept packaged even if it has a membrane	
Chicken and turkey	Wrap in foil	4 - 6
Goose and duck	Wrap in foil	4 - 6
Deer, rabbit, wild boar	In 2.5 kg portions or as fillets	6 - 8
Freshwater fish (Salmon, Carp, Crane, Catfish)	After cleaning the bowels and scales of the fish, wash and dry it. If necessary, remove the tail and head.	2
Lean fish (Bass, Turbot, Flounder)		4
Fatty fishes (Tuna, Mackerel, Bluefish, Anchovy)		2 - 4
Shellfish	Clean and in a bag	4 - 6
Caviar	In its packaging, or in an aluminium or plastic container	2 - 3
Snails	In salty water, or in an aluminium or plastic container	3

 **NOTE:** Thawed frozen meat should be cooked as fresh meat. If the meat is not cooked after defrosting, it must not be re-frozen.




Vegetables and Fruits	Preparation	Maximum storage time (months)
String beans and beans	Wash, cut into small pieces and boil in water	10 - 13
Beans	Hull, wash and boil in water	12
Cabbage	Clean and boil in water	6 - 8
Carrot	Clean, cut into slices and boil in water	12
Pepper	Cut the stem, cut into two pieces, remove the core and boil in water	8 - 10
Spinach	Wash and boil in water	6 - 9
Cauliflower	Remove the leaves, cut the heart into pieces and leave it in water with a little lemon juice for a while	10 - 12
Eggplant	Cut into pieces of 2cm after washing	10 - 12
Corn	Clean and pack with its stem or as sweet corn	12
Apple and pear	Peel and slice	8 - 10
Apricot and Peach	Cut into two pieces and remove the stone	4 - 6

Vegetables and Fruits	Preparation	Maximum storage time (months)
Strawberry and Blackberry	Wash and hull	8 - 12
Cooked fruits	Add 10 % of sugar to the container	12
Plum, cherry, sourberry	Wash and hull the stems	8 - 12

	Maximum storage time (months)	Thawing time at room temperature (hours)	Thawing time in oven (minutes)
Bread	4 - 6	2 - 3	4-5 (220-225 °C)
Biscuits	3 - 6	1 - 1,5	5-8 (190-200 °C)
Pastry	1 - 3	2 - 3	5-10 (200-225 °C)
Pie	1 - 1,5	3 - 4	5-8 (190-200 °C)
Phyllo dough	2 - 3	1 - 1,5	5-8 (190-200 °C)
Pizza	2 - 3	2 - 4	15-20 (200 °C)

Dairy products	Preparation	Maximum storage time (months)	Storage conditions
Packet (Homogenized) Milk	In its own packet	2 - 3	Pure Milk – in its own packet
Cheese - excluding white cheese	In slices	6 - 8	Original packaging may be used for short-term storage. Keep wrapped in foil for longer periods.
Butter, margarine	In its packaging	6	

5 CLEANING AND MAINTENANCE

-  Disconnect the unit from the power supply before cleaning.
-  Do not wash your appliance by pouring water on it.
-  Do not use abrasive products, detergents or soaps for cleaning the appliance. After washing, rinse with clean water and dry carefully. When you have finished cleaning, reconnect the plug to the mains supply with dry hands.
- Make sure that no water enters the lamp housing and other electrical components.
- The appliance should be cleaned regularly using a solution of bicarbonate of soda and lukewarm water.
- Clean the accessories separately by hand with soap and water. Do not wash accessories in a dish washer.

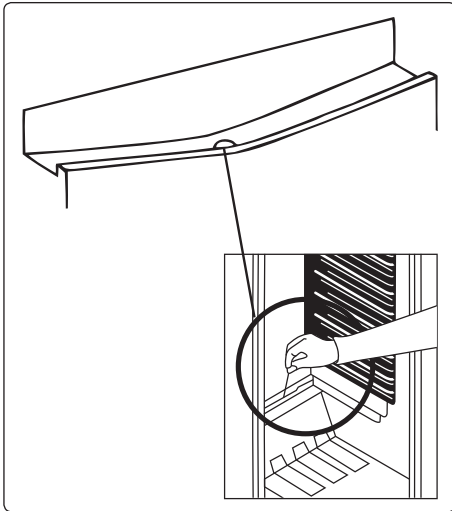
- Clean the condenser with a brush at least twice a year. This will help you to save on energy costs and increase productivity.



The power supply must be disconnected during cleaning.

5.1 Defrosting

Defrosting the Refrigerator Compartment



- Defrosting occurs automatically in the refrigerator compartment during operation. The water is collected by the evaporation tray and evaporates automatically.
- The evaporation tray and the water drain hole should be cleaned periodically with the defrost drain plug to prevent the water from collecting at the bottom of the refrigerator instead of flowing out.
- You can also clean the drain hole by pouring half a glass of water down it.

Defrosting the Freezer Compartment

Frost accumulated in the freezer compartment should be removed regularly (using the plastic scraper provided). The freezer compartment should be cleaned in the same way as the refrigerator compartment, with the defrost function, at least twice a year.


For this:

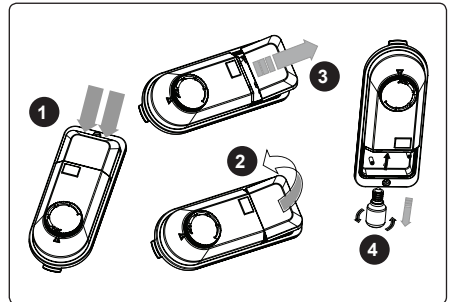
- The day before you defrost, set the thermostat dial to position "5" to freeze food completely.
- During defrosting, frozen food should be wrapped in several layers of paper and kept in a cool place. The inevitable

rise in temperature will shorten its storage life. Remember to use this food within a relatively short period of time.

- Set the thermostat knob to position "•" and disconnect the appliance from the mains. Leave the door open until the unit is completely defrosted.
- To accelerate the defrosting process, place one or more bowls of warm water in the freezer compartment.
- Dry the inside of the unit carefully and set the thermostat knob to the MAX position.


5.2 Replacing the Light Bulb

 **Important note:** Unplug the unit from the power supply before start the process.



1. Press the hooks on light cover. (Fig. 1)
2. Open the light cover towards arrow when top hooks pull out from housing. (Fig. 2)
3. Pull out the cover towards arrow remove it. (Fig. 3)
4. Turn the light bulb counter clockwise and remove it. (Fig. 4)
5. Change the present light bulb with a new one of not more than 15 W. (Fig. 4)
6. Implement the steps in reverse order.
7. After waiting 5 minutes, plug the unit.


Replacing LED Lighting

 If your appliance has LED lighting contact the help desk as this should be changed by authorized personnel only.

6 SHIPMENT AND REPOSITIONING

6.1 Transportation and Changing Positioning

- The original packaging and foam may be kept for re-transportation (optional).
- Fasten your appliance with thick packaging, bands or strong cords and follow the instructions for transportation on the packaging.
- Remove all movable parts (shelves, accessories, vegetable bins, and so on) or fix them into the appliance against shocks using bands when re-positioning or transporting.

 Always carry your appliance in the upright position.

6.2 Repositioning the Door

- It is not possible to change the opening direction of your appliance door if door handles are installed on the front surface of the appliance door.
- It is possible to change the opening direction of the door on models without handles.
- If the door-opening direction of your appliance can be changed, contact the nearest Authorised Service Centre to change the opening direction.

7 BEFORE CALLING AFTER-SALES SERVICE

If your refrigerator is not working properly, there may be a minor problem. Check the following.

The appliance does not operate

Check if:

- There is power
- The mains is connected
- The thermostat setting is on the “•” position
- The socket is defective. To check this, plug another working appliance into the same socket.

The appliance performs poorly

Check if:

- The appliance is overloaded
- The doors are closed properly
- There is any dust on the condenser
- There is enough space near the rear and side walls.

The appliance is noisy

The cooling gas which circulates in the refrigerator circuit may make a slight noise (bubbling sound) even when the compressor is not running. Do not worry, this is normal. If you hear a different sound, check whether:

- The appliance is level
- Anything is touching the rear of the appliance
- Objects in the appliance are vibrating.

Your refrigerator is operating noisily

The following noises can be heard during normal operation of the appliance.

Cracking (ice cracking) noise occurs:

- During automatic defrosting.
- When the appliance is cooled or warmed (due to expansion of appliance material).

Clicking noise occurs: When the thermostat switches the compressor on/off.

Motor noise: Indicates the compressor is operating normally. The compressor

may cause more noise for a short time when it is first activated.

Bubbling noise and splashing

occurs: Due to the flow of the refrigerant in the tubes of the system.

Water flowing noise occurs: Due to water flowing to the evaporation container. This noise is normal during defrosting.

There is water in the lower part of the refrigerator

Check if:

The drain hole for the water is not clogged (use defrost drain plug to clean the drain hole).

Recommendations

- If the appliance is switched off or unplugged, wait at least 5 minutes before plugging the appliance in or restarting it in order to prevent damage to the compressor.
- The cooling unit of your refrigerator is located at the rear of the appliance. Therefore, water droplets or ice may form on the rear surface of your fridge due to the operation of the compressor at specified intervals. This is normal, there is no need to perform a defrosting operation unless there is excessive ice.
- If you do not intend to use your fridge for a long period of time (such as during the summer holidays), set the thermostat to “*” position, defrost and clean your fridge, leaving the door open to prevent the formation of mildew and odour.
- If a problem persists after you have followed all the above instructions, please consult the nearest authorised service centre.
- The appliance you have purchased is designed for domestic use only. It is not suitable for commercial or common use. If the consumer uses the appliance in a way that does not comply with this, we emphasise that the manufacturer and the dealer will not be responsible for any repair and failure within the guarantee period.

8 TIPS FOR SAVING ENERGY

1. Install the appliance in a cool, well-ventilated room, but not in direct sunlight and not near a heat source (such as a radiator or oven) otherwise an insulating plate should be used.
2. Allow warm food and drinks to cool before placing them inside the appliance.
3. Place thawing food in the refrigerator compartment. The low temperature of the frozen food will help cool the refrigerator compartment while the food is thawing. This will save energy. Frozen food left to thaw outside of the appliance will result in a waste of energy.
4. Drinks or other liquids should be covered when inside the appliance. If left uncovered, the humidity inside the appliance will increase, therefore the appliance uses more energy. Keeping drinks and other liquids covered helps preserve their smell and taste.
5. Avoid keeping the doors open for long periods and opening the doors too frequently as warm air will enter the appliance and cause the compressor to switch on unnecessarily often.
6. Keep the covers of the different temperature compartments (such as the crisper and chiller) closed.
7. The door gasket must be clean and pliable. In case of wear, replace the gasket.
8. It is possible to store more food by removing freezer shelf. Energy consumption is declared with maximum load and without freezer shelf.

9 TECHNICAL DATA

The technical information is situated in the rating plate on the internal side of the appliance and on the energy label.

The QR code on the energy label supplied with the appliance provides a web link to the information related to the performance of the appliance in the EU EPREL database.

Keep the energy label for reference together with the user manual and all other documents provided with this appliance.

It is also possible to find the same information in EPREL using the link <https://eprel.ec.europa.eu> and the model name and product number that you find on the rating plate of the appliance.

See the link www.theenergylabel.eu for detailed information about the energy label.

10 INFORMATION FOR TEST INSTITUTES

Appliance for any EcoDesign verification shall be compliant with EN 62552.

Ventilation requirements, recess dimensions and minimum rear clearances shall be as stated in this User Manual at Chapter 2. Please contact the manufacturer for any other further information, including loading plans.

11 CUSTOMER CARE AND SERVICE

Always use original spare parts.

When contacting our Authorised Service Centre, ensure that you have the following data available: Model, Serial Number and Service Index.

The information can be found on the rating plate. You can find the rating label inside the fridge zone on the left lower side.

The original spare parts for some specific components are available for a minimum of 7 or 10 years, based on the type of component, from the placing on the market of the last unit of the model.

Visit our website to:
www.rommer.es

Gracias por elegir este producto.

Este Manual de usuario contiene información de seguridad e instrucciones importantes relacionadas con el uso y mantenimiento del aparato.

Tómese el tiempo que necesite para leer este Manual de usuario antes de usar el aparato y guárdelo por si tuviese que consultarlo más adelante.

Icono	Tipo	Significado
	ADVERTENCIA	Riesgo de lesión grave o muerte
	RIESGO DE DESCARGA ELÉCTRICA	Riesgo de voltaje peligroso
	INCENDIO	Advertencia; Riesgo de incendio / materiales inflamables
	PRECAUCIÓN	Riesgo de lesiones o daños materiales
	IMPORTANTE / NOTA	Uso correcto del sistema

ÍNDICE

1 INSTRUCCIONES DE SEGURIDAD	26
1.1 Advertencias de seguridad general	26
1.2 Advertencias para la instalación	30
1.3 Durante el uso	31
2 DESCRIPCIÓN DEL APARATO	32
2.1 Dimensiones	33
3 USO DEL APARATO	34
3.1 Información sobre la tecnología "Less Frost"	34
3.2 Ajuste del Termostato	34
3.3 Advertencias de ajustes de temperatura	34
3.4 Accesorios	35
3.4.1 Cubitera	35
3.4.2 Estante de puerta regulable (<i>En algunos modelos</i>)	36
3.4.3 Dispositivo de preservación de máxima frescura (<i>En algunos modelos</i>)	36
4 ALMACENAMIENTO DE ALIMENTOS	37
4.1 Compartimento de refrigerador	37
4.2 Compartimento del congelador	38
5 LIMPIEZA Y MANTENIMIENTO	41
5.1 Descongelación	41
5.2 Cambio de la bombilla	42
6 TRANSPORTE Y REUBICACIÓN	43
6.1 Transporte y reubicación	43
6.2 Reinstalación de la puerta	43
7 ANTES DE LLAMAR AL SERVICIO DE POSVENTA	43
8 CONSEJOS PARA AHORRAR ELECTRICIDAD	44
9 DATOS TÉCNICOS	45
10 INFORMACIÓN PARA LOS INSTITUTOS DE PRUEBAS	45
11 INFORMACIÓN PARA EL USUARIO	45

1 INSTRUCCIONES DE SEGURIDAD

1.1 Advertencias de seguridad general

Lea detenidamente este manual de usuario.

⚠️ ADVERTENCIA: Mantenga libres de obstrucciones las aperturas de ventilación del receptáculo de la nevera o de la estructura integrada.

⚠️ ADVERTENCIA: No utilice dispositivos mecánicos ni otros medios para acelerar el proceso de descongelación, salvo los recomendados por el fabricante.

⚠️ ADVERTENCIA: No utilice aparatos eléctricos dentro de los compartimentos de la nevera en los que se guardan alimentos, salvo que sean del tipo recomendado por el fabricante.

⚠️ ADVERTENCIA: Evite dañar el circuito refrigerante.

⚠️ ADVERTENCIA: Para evitar que la inestabilidad del aparato dé lugar a algún tipo de peligro, debe fijarse conforme a las instrucciones.

⚠️ Si el aparato usa refrigerante de tipo R600a (esta información se muestra en la etiqueta del refrigerador), debe tener cuidado durante el transporte y la instalación para evitar que se dañen los elementos del refrigerador. R600a es un gas natural y respetuoso con el medioambiente, pero es explosivo. Si se dañan los elementos del refrigerador y como consecuencia se produce una fuga, aleje el aparato

de llamas abiertas o fuentes de calor y ventile unos minutos la habitación en la que se encuentra la nevera.

- Durante el transporte y la colocación del aparato, evite dañar el circuito de gas del refrigerador.
- No almacene en este aparato sustancias explosivas, como latas de aerosol con propulsor inflamable.
- Este aparato ha sido diseñada para ser utilizado en aplicaciones domésticas, como:
 - Cocinas para personal de tiendas, oficinas y otros entornos de trabajo.
 - Casas rústicas y habitaciones para clientes de hoteles, moteles y otros entornos de tipo residencial.
 - Establecimientos de tipo “Bed & Breakfast”.
 - Aplicaciones minoristas de catering y similares.
- Para evitar peligros, si la toma eléctrica no fuese compatible con el enchufe, deberá cambiarla el fabricante, un agente de servicio o una persona con una cualificación equivalente.
- El cable de alimentación del refrigerador dispone de un enchufe con conexión a tierra especial. Este enchufe debe usarse con una toma con conexión a tierra especial de 16 amperios. Si su vivienda no dispone de una toma de estas características, contrate a un electricista homologado para que instale una.

- Esta nevera la pueden usar niños de al menos 8 años de edad y personas con capacidades físicas, sensoriales o mentales reducidas o con falta de experiencia y conocimientos siempre que hayan recibido la supervisión o instrucciones necesarias con respecto al uso de la nevera de forma segura y comprendan los riesgos asociados. Los niños no deben jugar con este aparato. Ningún niño debe realizar la limpieza ni el mantenimiento de usuario de este aparato sin supervisión.
- Los niños de 3 a 8 años pueden cargar y descargar aparatos frigoríficos. No se espera que los niños realicen la limpieza o el mantenimiento del aparato, no se espera que los niños muy pequeños (0-3 años) usen los aparatos, no se espera que los niños pequeños (3-8 años) usen los aparatos de manera segura a menos que se les brinde supervisión continua, los niños mayores (8-14 años) y las personas vulnerables pueden usar los aparatos de manera segura después de que se les haya dado la supervisión o instrucción apropiada con respecto al uso del aparato. No se espera que las personas muy vulnerables usen los aparatos de manera segura a menos que reciban supervisión continua.
- Si el cable de alimentación está dañado, debe cambiarlo el fabricante, un agente de servicio autorizado o una persona con una cualificación equivalente a fin de evitar peligros.

- Esta nevera no ha sido diseñada para ser utilizada a una altitud superior a 2000 m.

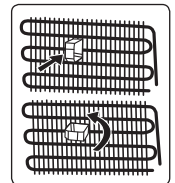
Para evitar la contaminación de los alimentos, por favor respete las siguientes instrucciones:

- La apertura de la puerta durante largos períodos de tiempo puede provocar un aumento significativo de la temperatura en los compartimentos del aparato.
- Limpie regularmente las superficies que puedan entrar en contacto con los alimentos y los sistemas de drenaje accesibles.
- Almacene la carne y el pescado crudos en recipientes adecuados en el frigorífico, de modo que no estén en contacto con otros alimentos ni goteen sobre ellos.
- Los compartimentos de dos estrellas para alimentos congelados son adecuados para almacenar alimentos pre-congelados, almacenar o hacer helados y hacer cubitos de hielo.
- Los compartimentos de una, dos y tres estrellas no son adecuados para la congelación de alimentos frescos.
- Si el aparato frigorífico se deja vacío durante mucho tiempo, apáguelo, descongélelo, límpielo, séquelo y deje la puerta abierta para evitar que se desarrolle moho dentro del aparato.

1.2 Advertencias para la instalación

Antes de utilizar el refrigerador-congelador por primera vez, preste atención a las siguientes cuestiones:

- El voltaje de funcionamiento del refrigerador-congelador es de 220-240 V a 50 Hz.
- El enchufe debe quedar accesible tras la instalación.
- Puede que el refrigerador-congelador emita cierto olor cuando se utilice por primera vez. Este olor es normal y desaparecerá cuando el refrigerador-congelador comience a enfriarse.
- Antes de conectar el refrigerador-congelador, asegúrese de que la información que se muestra en la placa de características (voltaje y carga conectada) concuerde con las características del suministro eléctrico. Si tiene alguna duda, póngase en contacto con un electricista cualificado.
- Inserte el enchufe en una toma eléctrica que disponga de una conexión a tierra eficaz. Si la toma eléctrica no tiene toma a tierra o el enchufe no es compatible con la toma eléctrica, le recomendamos que se ponga en contacto con un electricista cualificado.
- El aparato debe conectarse a una toma eléctrica con fusible debidamente instalada. El suministro eléctrico (CA) y el voltaje del lugar en el que se vaya a colocar el aparato deben coincidir con los datos que se muestran en la placa de características del propio aparato, que se encuentra en su lateral interior izquierdo.
- No nos hacemos responsables de los daños que se produzcan al conectar el aparato sin conexión a tierra.
- No coloque el refrigerador-congelador en un lugar en el que esté expuesto a la luz directa del sol.
- El refrigerador-congelador no se debe usar nunca en exteriores ni en un lugar en el que esté expuesto a la lluvia.
- El aparato debe estar separado como mínimo 50 cm de cocinas, hornos de gas y radiadores y 5 cm de hornos eléctricos.
- Si coloca el refrigerador-congelador junto a un congelador de baja temperatura, debe estar separado de él al menos 2 cm para evitar que se forme humedad en la superficie exterior.
- No cubra el cuerpo ni la parte superior del refrigerador-congelador con encaje. Esto afecta al rendimiento del refrigerador-congelador.
- En la parte superior de la nevera debe haber un espacio de al menos 150 mm. No coloque nada sobre la nevera.
- No coloque objetos pesados sobre la nevera.
- Limpie a conciencia la nevera antes de usarla (consulte la sección de Limpieza y mantenimiento).
- Antes de usar el refrigerador-congelador, limpie todas sus piezas con una solución de agua caliente y una cucharilla de bicarbonato de sodio. A continuación, límpielas con agua limpia y séquelas. Tras limpiar las diferentes piezas, vuelva a colocarlas en el refrigerador-congelador.
- Utilice las patas delanteras regulables para asegurarse de que el aparato esté nivelado y en una posición estable. Puede ajustar las patas girándolas en cualquiera de las dos direcciones. Esto debe hacerse antes de meter alimentos en el aparato.
- Instale el separador de plástico (la pieza con paletas negras que se encuentra en la parte trasera) girándolo 90 ° (tal como se muestra en la figura) para evitar que el condensador toque la pared.
- La distancia entre el aparato y la pared debe ser de 75 mm como máximo.



1.3 Durante el uso

- No utilice un alargador para conectar el refrigerador-congelador a la red eléctrica.
- No utilice enchufes dañados, desgastados o viejos.
- No tuerza o dañe el cable ni tire de él.
- Este aparato ha sido diseñado para que lo usen personas adultas. No deje que ningún niño juegue con el aparato o que se cuelgue de la puerta.
- No toque nunca el enchufe/cable de alimentación con las manos mojadas. De hacerlo, podría producirse un cortocircuito o una descarga eléctrica.
- No coloque latas ni botellas de cristal en el compartimento donde se hacen los cubitos de hielo, ya que podrían explotar al congelarse su contenido.
- No coloque materiales explosivos o inflamables dentro de la nevera. Las bebidas con alto contenido de alcohol deben colocarse verticalmente en el compartimento del refrigerador y asegurarse de que estén muy bien cerradas.
- No toque los cubitos de hielo al sacarlos del compartimento donde se hacen. El hielo podría ocasionar quemaduras por frío y cortes.
- No toque los productos congelados con las manos mojadas. No coma helado ni cubitos de hielo justo después de sacarlos del compartimento donde se hacen los cubitos de hielo.
- No vuelva a congelar alimentos que ya se han descongelado. Esto podría ocasionar problemas de salud, como una intoxicación alimentaria.

Aparatos antiguos y fuera de servicio

- Si su antiguo frigorífico o congelador tiene un candado, rómpalo o quítelo antes de desecharlo, dado que se podría quedar atrapado en su interior un niño y producir un accidente.
- Las neveras y los congeladores antiguos contienen material de aislamiento y refrigerante con CFC. Por lo tanto, evite

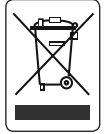
dañar el medioambiente al desechar un antiguo frigorífico.

Declaración de conformidad de la CE

Declaramos que nuestros productos cumplen con las Directivas, Decisiones y Normativas europeas pertinentes y con los requisitos enumerados en los estándares mencionados.

Desecho del antiguo aparato

El símbolo que se muestra sobre el producto o su embalaje indica que este producto no se puede tratar como residuo doméstico. En su lugar, debe llevarse al punto de recogida pertinente para el reciclado de equipos eléctricos y electrónicos. Asegúrese de que este producto sea desechado debidamente para evitar que se puedan producir daños en el medioambiente y la salud de las personas. Si desea obtener información detallada sobre el reciclaje de este producto, póngase en contacto con su oficina municipal, el servicio de desecho de residuos domésticos o la tienda en la que adquirió el producto.



El embalaje y el medio ambiente

Los materiales de embalaje protegen su máquina de los daños que puedan ocasionarse durante el transporte. Los materiales de embalaje son respetuosos con el medio ambiente, ya que son reciclables. El uso de material reciclado reduce el consumo de materias primas y, por lo tanto, la producción de residuos.



Notas:

- Lea detenidamente el manual de instrucciones antes de instalar y usar el aparato. No somos responsables de los daños que se produzcan como consecuencia de un uso indebido.
- Siga todas las instrucciones del aparato y del manual de instrucciones y guarde este manual en un lugar seguro para resolver cualquier tipo de problema que pueda producirse en el futuro.

- Este aparato se ha diseñado para ser utilizado en viviendas y solo debe utilizarse en entornos domésticos y para los fines especificados. No es adecuado para uso comercial o común. Este tipo de uso invalidará la garantía del aparato y nuestra compañía no se hará responsable de las pérdidas que se produzcan.
- Este aparato se ha diseñado para ser usado en hogares y solo es apto para enfriar/conservar alimentos. No es adecuado para uso comercial o común ni para guardar sustancias que no sean alimentos. Nuestra empresa no es responsable de las pérdidas que se puedan producir en caso contrario.

Notas generales:

Compartimiento de alimentos frescos (frigorífico):

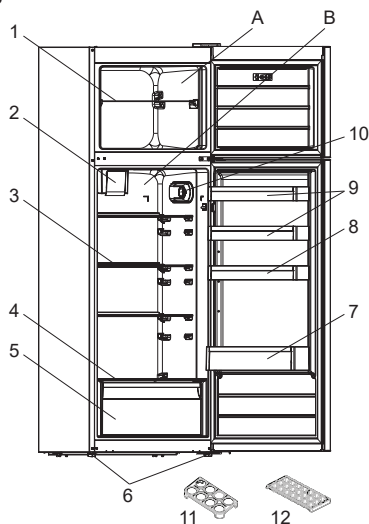
Se garantiza un uso más eficiente de la energía con una disposición uniforme de los cajones en la parte inferior del electrodoméstico y de los estantes, la posición de los cajones de la puerta no afecta el consumo de energía.

Compartimiento del congelador (congelador):

Según la disposición de los cajones y los estantes bandejas podrá hacer un uso más eficiente de la energía. Estos se encuentran en posición de existencias.

2 DESCRIPCIÓN DEL APARATO

Este electrodoméstico no está destinado para su uso como un electrodoméstico integrado.

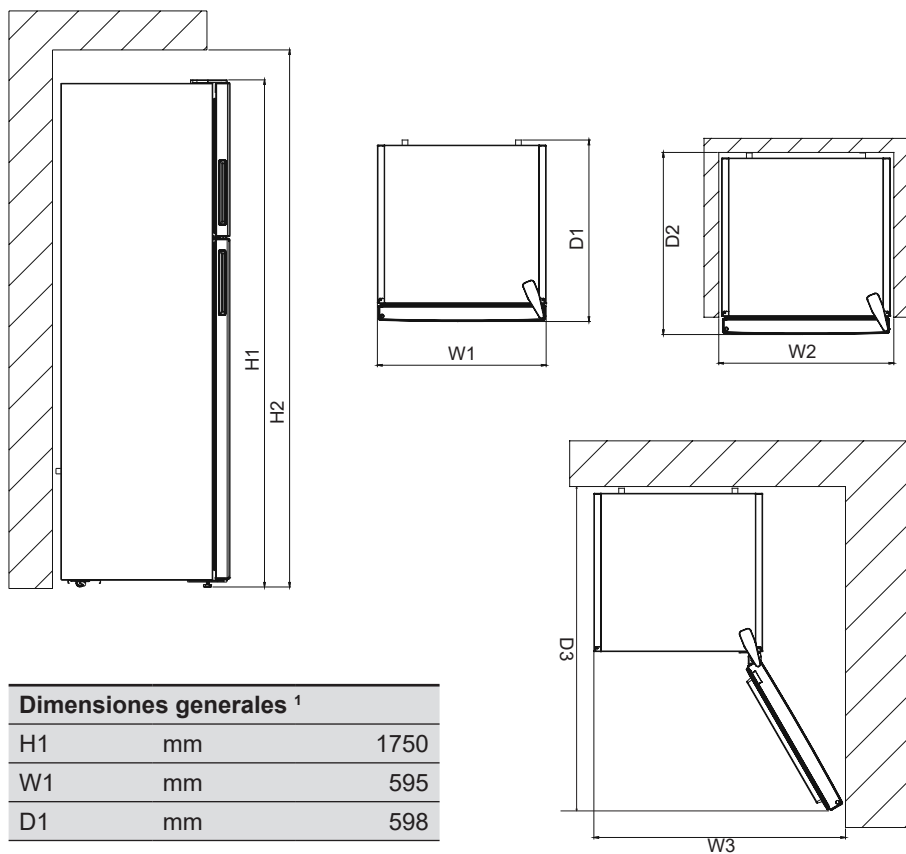


Esta presentación sobre las piezas del aparato solo se ofrece a título informativo. Las piezas pueden variar según el modelo de aparato.

- A) Compartimiento de congelador
- B) Compartimiento de refrigerador
- 1) Estante de congelador
- 2) Turboventilador *
- 3) Estantes de refrigerador
- 4) Cubierta de cajón para fruta y verdura
- 5) Cajón para fruta y verdura
- 6) Patas de nivelación
- 7) Estante portabotellas
- 8) Estante de puerta regulable * / Estante de puerta
- 9) Estantes de puerta
- 10) Compartimento de termostato
- 11) Huevera
- 12) Cubitera

* En algunos modelos

2.1 Dimensiones



Dimensiones generales ¹		
H1	mm	1750
W1	mm	595
D1	mm	598

El espacio requerido en el uso ²		
H2	mm	1900
W2	mm	695
D2	mm	700,5

Espacio total requerido en el uso ³		
W3	mm	990
D3	mm	1141,5

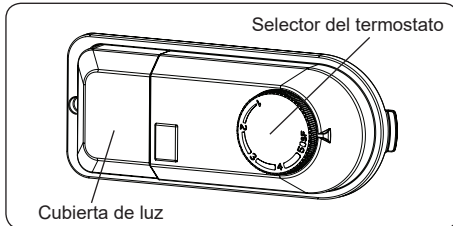
3 USO DEL APARATO

3.1 Información sobre la tecnología "Less Frost"

Gracias a la envoltura alrededor del evaporador, la tecnología LessFrost ofrece un enfriamiento más eficiente, una menor necesidad de descongelación manual y un espacio de almacenamiento más flexible.

3.2 Ajuste del Termostato

El termostato del refrigerador regulan automáticamente la temperatura en el interior de los congelador y del refrigerador. Gire el selector a una posición más alta, de 1 a 5 y SF, para obtener temperaturas más bajas. Durante las estaciones más frías, ajuste el termostato en posiciones inferiores para reducir el consumo eléctrico.



Ajustes del termostato

- Para la conservación de alimentos en el compartimento congelador durante un corto período de tiempo, puede colocar el mando del termostato entre la posición 1 y 3.
- Para la conservación de alimentos en el compartimento congelador durante un período largo de tiempo, puede colocar el mando del termostato en la posición 3 y 4.
- Ponga la perilla de control en la posición 5 para el uso frecuente de los alimentos frescos y los compartimientos del congelador en temperaturas ambientales calientes.
- Gire la perilla a la posición SF para congelar rápidamente los alimentos frescos. En esta posición, el compartimento del congelador funcionará

a temperaturas más bajas. Una vez que se los alimentos se hayan congelado, gire la perilla del termostato a su posición de uso habitual. Si no cambia la posición de SF, el aparato volverá automáticamente a la última posición utilizada del termostato después de 48 horas. Vuelva a poner el interruptor del termostato en la posición SF y el aparato volverá a su posición de uso habitual 48 horas después.

⚠ Aviso importante: Si el interruptor del termostato está en la posición SF cuando se enciende el aparato por primera vez, el aparato volverá automáticamente a la posición 3 del termostato 48 horas después de su puesta en funcionamiento.

3.3 Advertencias de ajustes de temperatura

- La temperatura ambiental, la temperatura de los alimentos recién introducidos y la frecuencia con la que se abra la puerta afectan a la temperatura del refrigerador. Si fuese necesario, seleccione otra temperatura.
- En lo que a eficacia se refiere, no se recomienda operar el aparato en entornos de temperaturas inferiores a los 10 °C.
- Al regular el termostato, tenga en cuenta la frecuencia con la que se abren las puertas del aparato, el volumen de alimentos almacenados y el entorno en el que se ubica el aparato.
- Cuando encienda el aparato por primera vez, deje que funcione durante 24 horas para que alcance la temperatura de funcionamiento. Durante este período, no abra la puerta ni guarde demasiados alimentos en el interior del aparato.
- Durante los cortes del suministro eléctrico apague el aparato para impedir que se dañe el compresor. Una vez que se restaure el suministro, espere entre 5 y 10 minutos para volver a enchufar el aparato. De este modo se impide que se dañen sus componentes.

- El aparato está diseñado para trabajar en las temperaturas ambientales indicadas en los estándares, conforme a la clase climática indicada en la etiqueta de información. No se recomienda utilizar el refrigerador en entornos en los que se den temperaturas que estén fuera del rango especificado. Esto reduciría la eficacia del aparato en lo que a refrigeración se refiere.
- Este aparato está diseñado para trabajar en los rangos de temperatura ambiental (N = 16 °C - 32 °C) indicados en los estándares, conforme a la clase climática indicada en la etiqueta de información. No recomendamos operar este aparato fuera de los límites de temperatura indicados, dado que se ve afectada su eficacia. Compruebe las Advertencias debajo.

Tipo de clima y significado:

T (tropical): Este electrodoméstico de refrigeración está destinado para su uso a temperaturas ambiente que oscilan entre los 16 °C y los 43 °C.

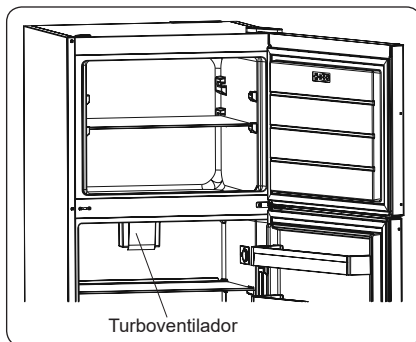
ST (subtropical): Este electrodoméstico de refrigeración está destinado para su uso a temperaturas ambiente que oscilan entre los 16 °C y los 38 °C.

N (templado): Este electrodoméstico de refrigeración está destinado para su uso a temperaturas ambiente que oscilan entre 16 °C y 32 °C.

SN (temperatura extendida): Este electrodoméstico de refrigeración está destinado para su uso a temperaturas ambiente que oscilan entre 10 °C y 32 °C.

Turboventilador (si estuviese disponible)

No bloquee las aperturas de entrada y salida de aire al guardar los alimentos. De lo contrario, se verá reducida la circulación de aire proporcionada por el turboventilador.

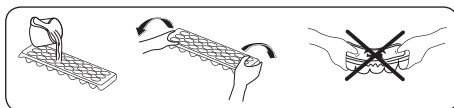


3.4 Accesorios

Las descripciones visuales y textuales proporcionadas en la sección de accesorios pueden variar en función del modelo de aparato que haya adquirido.

3.4.1 Cubitera

- Llene de agua la cubitera y colóquela en el congelador.
- Cuando el agua se haya congelado totalmente, puede doblar la cubitera para sacar los cubitos de hielo.

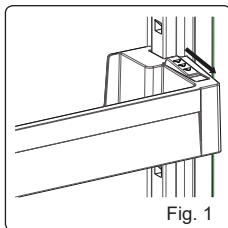


3.4.2 Estante de puerta regulable (En algunos modelos)

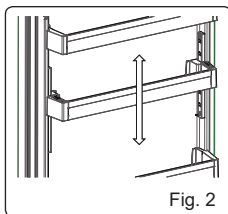
El estante de puerta regulable ofrece seis alturas diferentes para crear las áreas de almacenamiento que necesite.

Para cambiar la posición del estante de puerta regulable:

Agarre la parte inferior del estante y extraiga los botones del lado del estante de la puerta en la dirección que indica la flecha. (Fig.1)



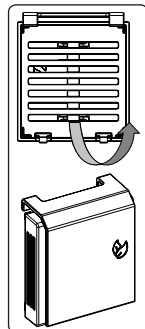
Coloque el estante de la puerta a la altura que necesite moviéndolo hacia arriba y hacia abajo. Después de colocar el estante de la puerta en la posición que quiera, suelte los botones del lado del estante de la puerta (fig. 2). Antes de soltar el estante de la puerta, muévelo hacia abajo y asegúrese de que esté fijo el estante de la puerta.



Nota: Si antes de mover el estante de la puerta, está cargado, debe agarrarlo por debajo. De lo contrario, el estante de la puerta podría salirse de los rieles debido al peso. Esto podría causar daños tanto en el estante de la puerta como en los rieles.

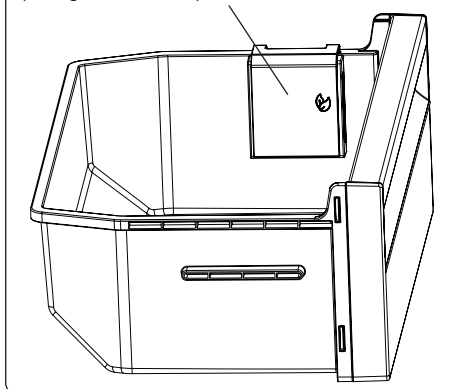
3.4.3 Dispositivo de preservación de máxima frescura (En algunos modelos)

La tecnología de preservación de máxima frescura ayuda a eliminar el gas etileno (un bioproducto que liberan los alimentos frescos de forma natural), así como los olores desagradables del cajón para fruta y verdura. De esta manera, los alimentos se conservan frescos más tiempo.




- El filtro de preservación de máxima frescura debe limpiarse una vez al año. Para limpiarlo, el filtro debe permanecer 2 horas en un horno a 65 °C.
- Para poder limpiar el filtro, extraiga la cubierta posterior del compartimento del filtro tirando de ella en la dirección que indica la flecha.
- El filtro no se debe lavar con agua o detergente.

Dispositivo de preservación de máxima frescura
(En algunos modelos)



4 ALMACENAMIENTO DE ALIMENTOS

4.1 Compartimento de refrigerador

- Para reducir la humedad y evitar la subsiguiente formación de escarcha, guarde los líquidos en recipientes herméticos en el refrigerador. La escarcha tiende a acumularse en las partes más frías del líquido que se evapora y con el tiempo deberá descongelarse el aparato con una mayor asiduidad.
 - No coloque nunca alimentos calientes en el refrigerador. Los alimentos calientes deben dejarse enfriar a temperatura ambiental y deben colocarse de tal forma que se garantice una adecuada circulación del aire en el compartimento del refrigerador.
 - Asegúrese de que no haya ningún elemento en contacto directo con la pared trasera del aparato, ya que se formará escarcha y el embalaje se pegará a ella. No abra la puerta del refrigerador con frecuencia.
 - Recomendamos envolver el pescado limpio y la carne de manera holgada y guardarlos en el estante de cristal que está justo encima del compartimento para verduras, donde se encuentra el refrigerador de aire, ya que ofrece las mejores condiciones de almacenamiento.
 - Almacene las frutas y verduras sueltas en los cajones para fruta y verdura.
 - Almacene las frutas y verduras sueltas en el cajón para fruta y verdura.
 - Al almacenar por separado las frutas y las verduras, se impide que los vegetales sensibles al etileno (verduras de hoja verde, brócoli, zanahoria, etc.) se vean afectados por las frutas que liberan gas etileno (plátanos, melocotones, albaricoques, etc.).
 - No coloque vegetales húmedos en el refrigerador.
 - El tiempo de conservación de los alimentos depende de la calidad inicial del alimento y de si este disfrutó de un ciclo ininterrumpido de refrigeración antes de meterse en el refrigerador.
 - Para evitar la contaminación cruzada no almacene productos de carne con frutas o verduras. El agua que sale de la carne podría contaminar otros productos que haya en el refrigerador. Debe envasar los productos de carne y limpiar el líquido que se haya derramado en los estantes.
 - No coloque alimentos en frente del conducto de aireación.
 - Consuma los alimentos envasados antes de la fecha de caducidad recomendada.
-  **NOTA:** Las patatas, cebollas y el ajo no se deben guardar en el refrigerador.
- Para condiciones de uso normales, bastará con ajustar la temperatura de su refrigerador a +4 °C.
 - La temperatura del compartimento del frigorífico debe estar en el rango de 0 a 8 °C, los alimentos frescos por debajo de 0 °C se congelan y se pudren, la carga bacteriana aumenta por encima de 8 °C, y se estropean.
 - No coloque comida caliente en el refrigerador, espere a que se enfríe. Los alimentos calientes aumentan el grado de su refrigerador y causan intoxicación alimentaria, así como el deterioro innecesario de la comida.
 - La carne, el pescado, etc. deben almacenarse en el compartimento de refrigeración de la comida, y el compartimento de las verduras es preferible para las verduras. (si está disponible)
 - Para evitar la contaminación cruzada, los productos cárnicos y las frutas y verduras no se deben almacenar juntos.
 - Los alimentos deben colocarse en recipientes cerrados o cubiertos para evitar la humedad y los olores.

La siguiente tabla le servirá de referencia rápida para determinar la manera más eficaz de almacenar en el refrigerador los principales grupos de alimentos.

Alimento	Tiempo máximo de conservación	Cómo y dónde almacenarlos
Vegetales y frutas	1 semana	Cajón para vegetales
Carne y pescado	2-3 días	Envolver en bolsas o film de plástico o guardar en un recipiente para carne y colocar en el estante de cristal.
Queso fresco	3-4 días	En su estante de puerta
Mantequilla y margarina	1 semana	En su estante de puerta
Productos embotellados, como leche y yogur	Hasta la fecha de caducidad recomendada por el productor	En su estante de puerta
Huevos	1 mes	En el estante para huevos
Alimentos cocinados	2 días	En cualquier estante

4.2 Compartimento del congelador

- El congelador se utiliza para almacenar alimentos congelados, congelar alimentos frescos y hacer cubitos de hielo.
- Para congelar alimentos frescos, envolver y sellar los alimentos frescos adecuadamente, es decir, el envase debe ser hermético y no debe tener filtraciones. Son ideales las bolsas especiales para congeladores, las bolsas de polietileno con papel de aluminio y los recipientes de plástico.
- No almacene alimentos frescos junto a alimentos congelados, ya que estos podrían descongelarse.
- Antes de congelar alimentos frescos, divídalos en porciones que se puedan consumir de una sentada.
- Los alimentos descongelados deben consumirse en un corto período de tiempo.

- No coloque nunca alimentos calientes en el congelador, ya que descongelarán los alimentos congelados.
 - A la hora de almacenar alimentos, siga las instrucciones proporcionadas por el fabricante en el envase del alimento. Si un alimento no proporciona información en su envase, no debe almacenarse más de 3 meses tras la fecha de compra.
 - Al comprar alimentos congelados, asegúrese de que se hayan almacenado en condiciones adecuadas y que no se haya dañado el envase.
 - Los alimentos congelados deben transportarse en contenedores adecuados y colocarse en el congelador lo antes posible.
 - No compre alimentos congelados si el envase presenta indicios de humedad o está hinchado de forma anómala. Puede que se haya almacenado a una temperatura inadecuada y que el contenido se haya deteriorado.
 - El tiempo de conservación de los alimentos congelados depende de la temperatura ambiental, la temperatura seleccionada en el termostato, la frecuencia con la que se abre la puerta, el tipo de alimento y el tiempo transcurrido para transportar el producto desde la tienda hasta el domicilio. Siga en todo momento las instrucciones impresas en el envase y no supere nunca el tiempo de conservación indicado.
 - En la etiqueta del aparato se muestra la cantidad máxima de alimentos frescos (en kg) que se puede congelar en un período de 24 horas.
 - Para congelar alimentos frescos, asegúrese de que la máxima superficie posible de los alimentos esté en contacto con la superficie de refrigeración.
- NOTA:** Si intenta abrir la puerta del congelador justo después de haberla cerrado, verá que cuesta abrirla. Es normal. Una vez que se haya alcanzado el equilibrio, la puerta se abrirá con facilidad.


Nota importante:

- No vuelva a congelar alimentos ya descongelados.
- El sabor de algunas especias de platos cocinados (anís, basilica, berros, vinagre, especias variadas, jengibre, ajo, cebolla, mostaza, tomillo, mejorana, pimienta negra, etc.) cambia y coge un sabor fuerte cuando se guardan durante mucho tiempo. Por este motivo recomendamos añadir pequeñas cantidades de especias a los alimentos que vaya a congelar o añadir las especias que se desee tras descongelar los alimentos.
- El tiempo de conservación de los alimentos depende del aceite que se utilice. Algunos de los aceites adecuados para conservar alimentos son margarina, grasa de ternero, aceite de oliva y mantequilla. El aceite de cacahuete y la grasa de cerdo no sirven para conservar alimentos.
- Los alimentos líquidos deben congelarse en recipientes de plástico. El resto de alimentos debe congelarse en bolsas o film de plástico.



La siguiente tabla le servirá de referencia rápida para determinar la manera más eficaz de almacenar los principales grupos de alimentos en el congelador.

Carne y pescado	Preparación	Tiempo máximo de conservación (meses)
Bistec	Envolver en film.	6 - 8
Carne de cordero	Envolver en film.	6 - 8
Ternera asada	Envolver en film.	6 - 8
Tacos de ternera	En trozos pequeños.	6 - 8
Tacos de cordero	En trozos.	4 - 8
Carne picada	En un envase sin especias.	1 - 3
Menudillos (piezas)	En trozos.	1 - 3
Salami/salchichas de Bolonia	Se deben guardar en un paquete aunque tengan piel.	
Pollo y pavo	Envolver en film.	4 - 6
Ganso y pato	Envolver en film.	4 - 6
Ciervo, conejo y jabalí	En porciones de 2,5 kg o en filetes.	6 - 8

Carne y pescado	Preparación	Tiempo máximo de conservación (meses)
Pescados de agua dulce (salmón, carpa, siluro)	Tras limpiar las entrañas y escamas del pescado, lávelo y séquelo. Si fuese necesario, quítele la cola y la cabeza.	2
Pescados magros (lubina, rodaballo, lenguado)		4
Pescados grasos (atún, verdel, anjova, anchoa)		2 - 4
Mariscos	Limpios y en una bolsa.	4 - 6
Caviar	En su envase o en un contenedor de aluminio o de plástico.	2 - 3
Caracoles	En agua salada o en un contenedor de aluminio o de plástico.	3
 NOTA: La carne descongelada se debe cocinar como si fuese carne fresca. Si no se cocina la carne tras haberla descongelado, no debe volver a congelarse.		


Vegetales y frutas	Preparación	Tiempo máximo de conservación (meses)
Habichuelas y alubias	Lavar, cortar en trozos pequeños y hervir en agua.	10 - 13
Alubias	Pelar, lavar y hervir en agua.	12
Repollo	Limpiar y hervir en agua.	6 - 8
Zanahoria	Limpiar, cortar en rodajas y hervir en agua.	12
Pimienta	Cortar el tallo, cortar en dos trozos, quitar el corazón y hervir en agua.	8 - 10
Espinacas	Lavar y hervir en agua.	6 - 9
Coliflor	Quitar las hojas, cortar en pedazos el corazón y dejar en agua con un poco de jugo de limón durante un rato.	10 - 12
Berenjena	Cortar en trozos de 2 cm tras lavar.	10 - 12
Maíz	Limpiar y envasar con su tallo o como maíz tierno.	12
Manzanas y peras	Pelar y cortar en rodajas.	8 - 10
Albaricoques y melocotones	Cortar en dos trozos y quitar la pipá.	4 - 6
Fresas y moras	Lavar y pelar.	8 - 12
Frutas cocinadas	Añadir un 10 % de azúcar al contenedor.	12
Ciruelas, cerezas y bayas agrias	Lavar y pelar los tallos.	8 - 12


	Tiempo máximo de conservación (meses)	Tiempo de descongelación a temperatura ambiental (horas)	Tiempo de descongelación en horno (minutos)
Pan	4 - 6	2 - 3	4-5 (220-225 °C)
Galletas	3 - 6	1 - 1,5	5-8 (190-200 °C)
Pastelitos	1 - 3	2 - 3	5-10 (200-225 °C)
Pastel	1 - 1,5	3 - 4	5-8 (190-200 °C)


	Tiempo máximo de conservación (meses)	Tiempo de descongelación a temperatura ambiental (horas)	Tiempo de descongelación en horno (minutos)
Masa de hojaldre	2 - 3	1 - 1,5	5-8 (190-200 °C)
Pizza	2 - 3	2 - 4	15-20 (200 °C)

Productos lácteos	Preparación	Tiempo máximo de conservación (meses)	Condiciones de almacenamiento
Leche envasada (homogeneizada)	En su propio envase.	2 - 3	Leche pura: en su propio envase.
Queso (salvo el queso blanco)	En lonchas.	6 - 8	El envase original se puede utilizar para un almacenamiento de corta duración. Para períodos más largos, mantener envuelto en film.
Mantequilla y margarina	En su envase.	6	


5 LIMPIEZA Y MANTENIMIENTO

 Antes de realizar tareas de limpieza, desconecte la unidad del suministro eléctrico.

 No lave el aparato vertiendo agua sobre él.

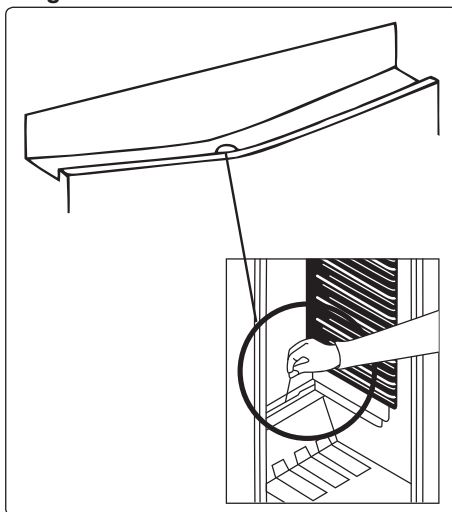
 No utilice jabones, detergentes ni productos abrasivos para limpiar el aparato. Después de haberlo lavado, enjuáguelo con agua limpia y séquelo con cuidado. Cuando haya terminado de limpiarlo, vuelva a conectar el enchufe a la red eléctrica con las manos secas.

- Asegúrese de que no entre agua en el receptáculo de las luces ni otros componentes eléctricos.
- El aparato debe limpiarse periódicamente con una solución de agua tibia y bicarbonato sódico.
- Limpie los accesorios por separado, a mano y con agua y jabón. No lave los accesorios en el lavavajillas.
- Limpie el condensador con un cepillo al menos dos veces al año. Esto le ayudará a ahorrar en electricidad y a mejorar la productividad.

 **Durante las tareas de limpieza debe desconectarse el aparato de la red eléctrica.**

5.1 Descongelación

Descongelación del compartimento del refrigerador



- El uso normal del refrigerador hace que se acumule escarcha automáticamente en su interior. La bandeja de evaporación recoge el agua, que se evapora automáticamente.
- La bandeja de evaporación y el orificio de desagüe deben limpiarse periódicamente con el tapón de desagüe de descongelación para impedir que el agua se acumule en la parte inferior del

refrigerador en lugar de fluir hacia el exterior.

- También puede limpiar el orificio de desagüe vertiendo medio vaso de agua en él.

Compartimento del congelador

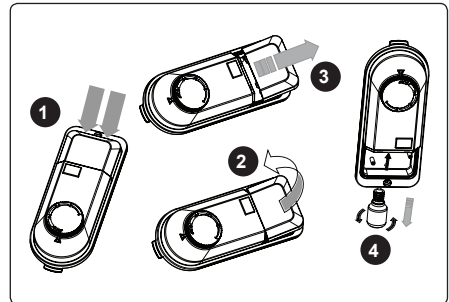
La escarcha que se acumula en el congelador debe retirarse de manera regular mediante el rascador de plástico suministrado. El compartimento del congelador se debe limpiar al menos dos veces al año del mismo modo que el compartimento del refrigerador, es decir, mediante la función de descongelación.

Para ello:

- El día antes de realizar la descongelación, coloque el selector de temperatura del termostato en la posición "5" para congelar por completo los alimentos.
- Durante la descongelación, los alimentos congelados deben mantenerse envueltos en varias capas de papel y deben conservarse en un lugar fresco. El inevitable aumento de la temperatura reducirá su tiempo de conservación. Recuerde que estos alimentos deben consumirse en un período de tiempo relativamente corto.
- Coloque el selector del termostato en la posición "•" y desconecte el aparato de la red eléctrica. Deje la puerta abierta hasta que la unidad se haya descongelado por completo.
- Para acelerar el proceso de descongelación, coloque uno o varios cuencos de agua caliente en el compartimento del congelador.
- Seque el interior de la unidad con cuidado y coloque el selector del termostato en la posición MAX (MÁX.).


5.2 Cambio de la bombilla

Nota importante: Antes de comenzar este proceso, desconecte la unidad del suministro eléctrico.



1. Presione los ganchos de la cubierta de la bombilla. (Fig. 1)
2. Abra la cubierta de la bombilla en la dirección de la flecha cuando los ganchos superiores se salgan del receptáculo. (Fig. 2)
3. Extraiga la cubierta tirando de ella en la dirección de la flecha. (Fig. 3)
4. Gire la bombilla en el sentido contrario a las agujas del reloj y sáquela. (Fig. 4)
5. Cambie la bombilla por una nueva de no más de 15 W. (Fig. 4)
6. Realice los pasos descritos en orden inverso.
7. Espere 5 minutos antes de volver a enchufar la unidad.

Cambio de las luces LED

 Si el aparato dispone de luces LED, póngase en contacto con el servicio de soporte técnico, ya que solo debe cambiarlas personal autorizado.

6 TRANSPORTE Y REUBICACIÓN

6.1 Transporte y reubicación

- El embalaje original y la espuma se pueden conservar para volver a transportar el aparato (opcional).
- Sujete el aparato con un embalaje grueso, bandas o cuerdas fuertes y siga las instrucciones de transporte que se suministran en el embalaje.
- Cuando vaya a reubicar o transportar el aparato, quite todas las piezas móviles (estantes, accesorios, cajones para vegetales, etc.) o fíjelas al aparato protegiéndolas con bandas de los golpes.



El aparato debe transportarse siempre en posición vertical.

6.2 Reinstalación de la puerta

- No se puede cambiar la dirección en la que se abre la puerta si los tiradores están instalados en la superficie frontal de la puerta del aparato.
- Se puede cambiar la dirección en la que se abre la puerta en aquellos modelos que no tienen tiradores.
- Si se puede cambiar la dirección en la que se abre la puerta de su aparato, póngase en contacto con el Centro de servicio autorizado más cercano para hacerlo.

7 ANTES DE LLAMAR AL SERVICIO DE POSVENTA

Si su refrigerador no funciona adecuadamente, puede que haya un problema menor. Compruebe lo siguiente.

El aparato no funciona

Compruebe lo siguiente:

- Hay electricidad.
- El aparato está conectado a la red eléctrica.
- El termostato se encuentra en la posición “*”.
- La toma eléctrica está defectuosa. Para comprobarlo, conecte otro aparato que funcione a dicha toma.

El aparato no funciona bien

Compruebe lo siguiente:

- El aparato está sobrecargado.
- Las puertas están bien cerradas.
- Hay polvo en el condensador.
- Hay suficiente espacio cerca de las paredes trasera y laterales.

El aparato hace ruido

El gas de refrigeración que circula por el circuito refrigerador puede hacer un poco de ruido (sonido de burbujas) incluso cuando el compresor no esté trabajando. No se preocupe, es normal. Si oye otro tipo de ruido, compruebe que:

- El aparato esté nivelado.
- No haya nada en contacto con la parte trasera del aparato.
- Haya objetos en el aparato que estén vibrando.

Hay agua en la parte inferior del refrigerador

Compruebe lo siguiente:

El orificio de desagüe no está atascado (utilice el tapón del desagüe de descongelación para limpiar el orificio de desagüe).

Recomendaciones

- Si se apaga o desenchufa el aparato, debe dejar pasar al menos 5 minutos antes de volver a enchufar o encender la unidad para evitar que se dañe el compresor.
- La unidad de refrigeración del refrigerador se encuentra en la parte trasera del aparato. Por consiguiente, puede que se formen gotas de agua o hielo en la superficie trasera del refrigerador debido al funcionamiento del compresor a intervalos especificados. Esto es normal, no hace falta descongelar el aparato salvo que haya una cantidad excesiva de hielo.
- Desenchufe el refrigerador si no lo va a utilizar durante mucho tiempo (por ejemplo, durante las vacaciones de verano). Limpie el refrigerador de acuerdo con el capítulo dedicado a la limpieza y deje la puerta abierta para evitar humedad y olores.
- Si tras seguir las instrucciones proporcionadas anteriormente sigue habiendo algún problema, póngase en contacto con el centro de servicio autorizado más cercano.
- El aparato que ha comprado solo está diseñado para uso doméstico. No es adecuado para uso comercial o común. Queremos destacar que si el usuario utiliza el aparato de alguna manera que se incumplan estas indicaciones, ni el fabricante ni el distribuidor serán responsables de ninguna reparación ni avería dentro del período de garantía.

8 CONSEJOS PARA AHORRAR ELECTRICIDAD

1. Instale el aparato en una habitación fresca y bien ventilada, donde no reciba la luz directa del sol y no esté cerca de una fuente de calor (como un radiador o un horno). De lo contrario, debería utilizarse una placa aislante.
2. Deje que los alimentos y las bebidas calientes se enfríen antes de colocarlos en el aparato.
3. Coloque los alimentos que se hayan descongelado en el compartimento del refrigerador. La baja temperatura del alimento que se está descongelando ayudará a refrigerar el compartimento del refrigerador. De este modo se reduce el consumo eléctrico. Descongelar alimentos fuera del aparato supone un desperdicio de electricidad.
4. Las bebidas u otro tipo de líquidos deben taparse cuando se coloquen dentro del aparato. Si no se tapan, aumentará la humedad en el interior del aparato, lo que hará que el aparato consuma más electricidad. Mantener tapadas las bebidas y otros líquidos ayuda a conservar su aroma y sabor.
5. Evite dejar las puertas abiertas durante mucho tiempo así como abrirlas muy a menudo, ya que de lo contrario, entrará aire caliente en el aparato y hará que el compresor tenga que trabajar a menudo de manera innecesaria.
6. Mantenga cerradas las cubiertas de los distintos compartimentos de temperatura (como el cajón para fruta y verdura y el enfriador).
7. La junta de estanqueidad de la puerta debe estar limpia y flexible. Cambie las juntas de estanqueidad si están gastadas.
8. Es posible almacenar más alimentos quitando el estante del congelador. El consumo de electricidad declarado hace referencia a una máxima carga sin estante de congelador.

9 DATOS TÉCNICOS

La información técnica se encuentra en la placa de datos técnicos en el lado interior izquierdo del aparato y en la etiqueta de energía.

El código QR de la etiqueta energética suministrada con el aparato proporciona un enlace web a la información relacionada con el rendimiento del aparato en la base de datos de EU EPREL.

Guarde la etiqueta de energía como referencia junto con el manual de usuario y todos los demás documentos que se proporcionan con este aparato.

También puede encontrar la misma información en EPREL utilizando el enlace <https://eprel.ec.europa.eu> y el nombre del modelo y el número de producto que se encuentra en la placa de características del aparato.

10 INFORMACIÓN PARA LOS INSTITUTOS DE PRUEBAS

La instalación y la preparación del aparato para cualquier verificación de EcoDiseño deberá cumplir con EN 62552.

Los requisitos de ventilación, las dimensiones 54 de los huecos y las distancias mínimas

traseras serán los indicados en el Parte 2 de este Manual de Usuario.

Por favor, póngase en contacto con el fabricante para cualquier otra información adicional, incluyendo los planos de carga.

11 INFORMACIÓN PARA EL USUARIO

Utilice siempre recambios originales.

Cuando comunique con nuestro Centro de Servicio Autorizado, asegúrese de tener los siguientes datos: Modelo, Número de serie e Índice de servicio.

La información puede encontrarla en la placa de características. Sujeto a cambios sin previo aviso.






Los recambios originales de algunos componentes específicos están disponibles solamente durante los 10 primeros años desde la puesta en el mercado de la última unidad del modelo.

Visite nuestro sitio web:
www.rommer.es

Merci d'avoir choisi ce produit.

Cette notice d'utilisation contient des informations et des consignes de sécurité importantes concernant l'utilisation et l'entretien de votre appareil.

Lire attentivement cette notice d'utilisation avant d'utiliser votre appareil et la conserver pour consultation ultérieure.

Icône	Type	Signification
	AVERTISSEMENT	Risque de blessures graves ou danger de mort
	RISQUE D'ÉLECTROCUTION	Risque d'électrocution
	INCENDIE	Avertissement : Risque d'incendie / matières inflammables
	MISE EN GARDE	Risque de blessures ou de dommages matériels
	IMPORTANT	Utilisation correcte de l'appareil

SOMMAIRE

1 CONSIGNES DE SÉCURITÉ	48
1.1 Avertissements généraux relatifs à la sécurité	48
1.2 Avertissements relatifs à l'installation	53
1.3 En cours d'utilisation.....	54
2 DESCRIPTION DE L'APPAREIL	55
2.1 Dimensions.....	56
3 UTILISATION DE L'APPAREIL.....	57
3.1 Informations relatives a la technologie moins de givre.....	57
3.2 Réglage du thermostat	57
3.3 Avertissements relatifs aux paramètres de température	57
3.4 Accessoires	58
3.4.1 Bac à glaçons.....	58
3.4.2 Balconnet réglable (Sur certains modèles).....	58
3.4.3 Maxi Fresh Preserver (Sur certains modèles).....	59
4 RANGEMENT DES ALIMENTS	59
4.1 Compartiment du réfrigérateur	59
4.2 Compartiment congélateur	60
5 NETTOYAGE ET ENTRETIEN	64
5.1 Décongélation.....	64
5.2 Remplacement de l'ampoule	65
6 TRANSPORT ET CHANGEMENT DE PLACE	66
6.1 Transport et changement de place	66
6.2 Changement de position de la porte.....	66
7 AVANT DE CONTACTER LE SERVICE APRÈS-VENTE	66
8 CONSEILS POUR ÉCONOMISER DE L'ÉNERGIE	67
9 DONNÉES TECHNIQUES	68
10 INFORMATIONS POUR LES INSTITUTS DE TEST.....	68
11 SERVICE ET ASSISTANCE À LA CLIENTÈLE	68

1 CONSIGNES DE SÉCURITÉ

1.1 Avertissements généraux relatifs à la sécurité

Lire attentivement la présente notice d'utilisation et la conserver pour une consultation ultérieure.

⚠ MISE EN GARDE: Maintenir dégagées les ouvertures de ventilation dans l'enceinte de l'appareil ou dans la structure d'encastrement.

⚠ MISE EN GARDE: Ne pas utiliser de dispositifs mécaniques ou autres moyens pour accélérer le processus de dégivrage autres que ceux recommandés par le fabricant.


⚠ MISE EN GARDE: Ne pas utiliser d'appareils électriques à l'intérieur du compartiment de stockage des denrées, à moins qu'ils ne soient du type recommandé par le fabricant.

⚠ MISE EN GARDE: Ne pas endommager le circuit de réfrigération.

⚠ AVERTISSEMENT: Lors du positionnement de l'appareil, s'assurer que le cordon d'alimentation n'est pas coincé ni endommagé.

⚠ AVERTISSEMENT: Ne pas placer de socles mobiles de prises multiples ni de blocs d'alimentation portables à l'arrière de l'appareil.

⚠ MISE EN GARDE: Pour éviter tout risque dû à l'instabilité de l'appareil, celui-ci doit être fixé conformément aux instructions suivantes :

 Si votre appareil utilise le R600a comme réfrigérant (cette information est indiquée sur l'étiquette du réfrigérateur), veiller à éviter d'endommager les éléments du réfrigérateur lors de son transport et de son installation. Le R600a est un gaz naturel respectueux de l'environnement, mais il est explosif. En cas de fuite résultant d'un dommage occasionné aux éléments du réfrigérateur, déplacer ce dernier afin de l'éloigner de toute flamme nue ou source de chaleur et aérer la pièce où se trouve l'appareil pendant quelques minutes.

- Lors du transport ou de la mise en place du réfrigérateur, ne pas endommager le circuit du gaz réfrigérant.
- Ne pas stocker dans cet appareil des substances explosives telles que des aérosols contenant des gaz propulseurs inflammables.
- Cet appareil est destiné à être utilisé dans des applications domestiques et analogues telles que:
 - les coins cuisines réservés au personnel des magasins, bureaux et autres environnements professionnels;
 - les fermes et l'utilisation par les clients des hôtels, motels et autres environnements à caractère résidentiel;
 - les environnements de type chambres d'hôtes;
 - la restauration et autres applications similaires hormis la vente au détail.

- Si la prise ne correspond pas à la fiche du réfrigérateur, elle doit être remplacée par le fabricant, par un technicien ou par des personnes de qualification similaire afin d'éviter tout danger.
- Le câble électrique de votre réfrigérateur est muni d'une fiche de mise à la terre spéciale. Celle-ci doit être branchée à une prise mise à la terre avec un disjoncteur de 16 ampères en amont. Si votre logement ne comporte pas de prise de ce type, prière d'en faire installer une par un électricien qualifié.
- Cet appareil peut être utilisé par des enfants âgés d'au moins 8 ans et par des personnes ayant des capacités physiques, sensorielles ou mentales réduites ou dénuées d'expérience ou de connaissance, s'ils (si elles) sont correctement surveillé(e)s ou si des instructions relatives à l'utilisation de l'appareil en toute sécurité leur ont été données et si les risques encourus ont été appréhendés. Les enfants ne doivent pas jouer avec l'appareil. Le nettoyage et l'entretien par l'utilisateur ne doivent pas être effectués par des enfants sans surveillance.
- Les enfants âgés de 3 à 8 ans sont autorisés à charger et décharger les **appareils de réfrigération**. Le nettoyage et l'entretien des appareils de réfrigération ne doit pas être fait par des enfants. Les très jeunes enfants (0-3 ans) ne doivent pas utiliser les appareils de réfrigération, les

jeunes enfants (3-8 ans) doivent faire l'objet d'une surveillance continue lorsqu'ils utilisent les appareils de réfrigération, les enfants plus âgés (8-14 ans) et les personnes vulnérables peuvent utiliser les appareils de réfrigération en toute sécurité à condition d'être supervisés ou d'avoir reçu des instructions appropriées concernant leur utilisation. Les personnes très vulnérables ne doivent pas utiliser les appareils de réfrigération à moins de faire l'objet d'une surveillance continue.

- Si le câble d'alimentation est endommagé, il doit être remplacé par le fabricant, son service après vente ou des personnes de qualification similaire afin d'éviter un danger.
- **MISE EN GARDE:** Remplir le bac à glaçons uniquement avec de l'eau potable.

Pour éviter la contamination des aliments, il y a lieu de respecter les instructions suivantes :

- Des ouvertures de la porte de manière prolongée sont susceptibles d'entraîner une augmentation significative de température des compartiments de l'appareil.
- Nettoyer régulièrement les surfaces susceptibles d'être contact avec les aliments et les systèmes d'évacuation accessibles.
- Entreposer la viande et le poisson crus dans les bacs du réfrigérateur qui conviennent, de telle sorte que ces denrées ne soient pas en contact avec

d'autres aliments ou qu'elles ne s'égouttent pas sur les autres aliments.

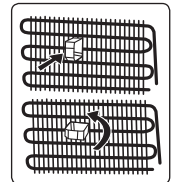
- Les compartiments des denrées congelées deux étoiles conviennent à la conservation des aliments pré-congelés, à la conservation ou à la fabrication de crème glacée et de glaçons.
- Les compartiments «une, deux et trois étoiles» ne conviennent pas pour la congélation des denrées alimentaires fraîches.
- Si l'**appareil de réfrigération** demeure vide de manière prolongée, le mettre hors tension, en effectuer le dégivrage, le nettoyer, le sécher, et laisser la porte ouverte pour prévenir le développement de moisissures à l'intérieur de l'appareil.

1.2 Avertissements relatifs à l'installation

Avant d'utiliser votre réfrigérateur-congélateur pour la première fois, prière de vérifier les points suivants:

- La tension de fonctionnement de votre réfrigérateur-congélateur est de 220/240 V à 50 Hz.
- Attendez 3 heures avant de brancher l'appareil, afin de garantir des performances optimales.
- La fiche doit rester accessible après l'installation.
- Votre réfrigérateur-congélateur peut dégager une odeur lors de sa première mise en marche. Ceci est normal et cette odeur se dissipera lorsque votre réfrigérateur-congélateur commencera à refroidir.
- Avant de brancher votre réfrigérateur-congélateur, vérifier que les informations figurant sur la plaque signalétique (tension et puissance raccordée) correspondent à celles de l'alimentation secteur. En cas de doute, consulter un électricien qualifié.
- Insérer la fiche dans une prise dotée d'une mise à la terre correcte. Si la prise ne dispose pas de contact de terre ou si la fiche ne correspond pas, nous recommandons de consulter un électricien qualifié pour obtenir de l'aide.
- L'appareil doit être raccordé avec une prise à fusible correctement installée. L'alimentation électrique (CA) et la tension au niveau du point de fonctionnement doivent correspondre aux informations indiquées sur la plaque signalétique de l'appareil (celle-ci se trouve sur la gauche à l'intérieur de l'appareil).
- Nous déclinons toute responsabilité en cas de dommages résultant d'une utilisation sans mise à la terre.
- Placer votre réfrigérateur-congélateur à l'abri de la lumière directe du soleil.
- Votre réfrigérateur-congélateur ne doit jamais être utilisé à l'extérieur ou exposé à la pluie.

- Votre appareil doit être placé à une distance d'au moins 50 cm de tout poêle, four à gaz et radiateur de chauffage et à au moins 5 cm de tout four électrique.
- Si votre réfrigérateur-congélateur est placé à proximité d'un congélateur, une distance d'au moins 2 cm doit les séparer afin d'éviter la formation d'humidité au niveau de sa surface externe.
- Ne pas couvrir le corps ou le dessus du réfrigérateur-congélateur avec une nappe ou un napperon. Ceci risquerait d'altérer ses performances.
- Un intervalle d'au moins 150 mm est requis au-dessus de l'appareil. Ne rien placer sur l'appareil.
- Ne pas poser d'objets lourds sur l'appareil.
- Nettoyer soigneusement l'appareil avant toute utilisation (voir Nettoyage et entretien).
- Avant d'utiliser votre réfrigérateur-congélateur, essuyer tous ses éléments avec une solution composée d'eau chaude et d'une cuillère à café de bicarbonate de soude. Rincer ensuite à l'eau claire et sécher. Remettre tous les éléments du réfrigérateur-congélateur en place après les avoir nettoyés.
- Utiliser les pieds avant réglables pour s'assurer que votre appareil est de niveau et stable. Il est possible d'ajuster les pieds en les tournant dans l'un ou l'autre sens. Ceci doit être effectué avant de placer des aliments dans l'appareil.
- Installer l'entretoise permettant de respecter la distance requise (pièce en plastique à l'arrière du produit) en le faisant pivoter à 90° (comme indiqué sur la figure) afin d'éviter que le condenseur ne touche le mur.
- La distance entre l'appareil et le mur situé à l'arrière doit être au maximum de 75 mm.



1.3 En cours d'utilisation

- Ne pas raccorder votre réfrigérateur-congélateur à l'alimentation secteur à l'aide d'une rallonge.
- Ne pas utiliser de fiches endommagées, tordues ou anciennes.
- Ne pas tirer, tordre ou endommager le cordon.
- N'utilisez pas d'adaptateur.
- Cet appareil est destiné à être utilisé par des adultes. Ne pas autoriser des enfants à jouer avec l'appareil ou à se suspendre à la porte.
- Ne jamais toucher le cordon/la fiche d'alimentation avec des mains humides. Ceci pourrait provoquer un court-circuit ou un choc électrique.
- Ne pas placer de bouteilles en verre ou de canettes dans le compartiment à glaçons car ils exploseront lorsque le contenu gèlera.
- Ne pas placer de matière explosive ou inflammable dans votre réfrigérateur. Ranger les boissons présentant une forte teneur en alcool verticalement dans le compartiment réfrigérateur et s'assurer que leurs bouchons sont hermétiquement fermés.
- Ne pas toucher la glace en la retirant du compartiment à glaçons. La glace peut provoquer des brûlures et/ou des coupures.
- Ne pas toucher les aliments congelés avec des mains humides. Ne pas manger de la glace ou des glaçons immédiatement après les avoir sortis du compartiment à glaçons.
- Ne pas recongeler des aliments décongelés. Ceci pourrait provoquer des problèmes de santé comme une intoxication alimentaire.

Anciens réfrigérateurs et réfrigérateurs hors d'usage

- Si l'ancien réfrigérateur ou congélateur est équipé d'un système de verrouillage, briser ou retirer ce dernier avant la mise au rebut car des enfants pourraient s'enfermer à l'intérieur de manière accidentelle.
- Les anciens réfrigérateurs et congélateurs contiennent des matériaux d'isolation et des agents frigorigènes avec des chlorofluorocarbures. Par conséquent, attention à ne pas nuire à l'environnement lors de leur mise au rebut.

Déclaration CE de conformité

Nous déclarons que nos produits sont conformes aux directives, décisions et réglementations européennes en vigueur et aux exigences répertoriées dans les normes référencées.

Mise au rebut de votre ancien appareil

Le symbole sur le produit ou sur son emballage indique que ce produit ne doit pas être traité comme un déchet ménager.



Il doit être transporté dans un point de collecte adapté au recyclage des équipements électriques et électroniques. La mise au rebut correcte de ce produit permet d'éviter toute conséquence négative éventuelle sur l'environnement et la santé, qui pourrait autrement être entraînée par une gestion des déchets inappropriée de ce produit. Pour obtenir des informations détaillées sur le recyclage de ce produit, contacter votre mairie, le centre de traitement des déchets ménagers ou le magasin dans lequel ce produit a été acheté.

Emballage et Environnement

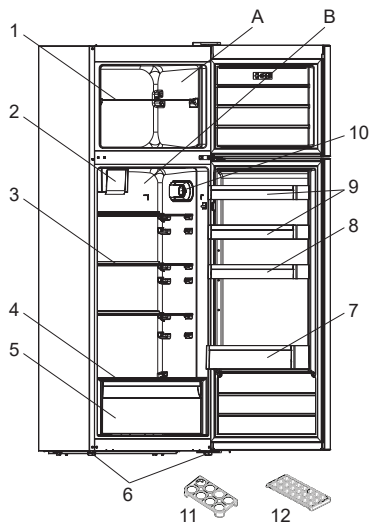
Les matériaux d'emballage protègent votre machine des dommages pouvant survenir pendant le transport. Les matériaux d'emballage sont respectueux de l'environnement car ils sont recyclables. L'utilisation de matériaux recyclés réduit la consommation de matières premières et donc la production de déchets.




Remarques :

- Il convient de lire attentivement le manuel d'instructions avant d'installer et d'utiliser l'appareil. Nous ne sommes pas responsables des dommages dus à une mauvaise utilisation.
- Il convient de suivre toutes les instructions de l'appareil et du manuel d'instructions et de conserver ce manuel en lieu sûr pour pouvoir résoudre les problèmes pouvant survenir à l'avenir.
- Cet appareil a été conçu pour être utilisé dans les maisons et il ne peut être utilisé que dans des environnements domestiques et aux fins prévues. Il ne convient pas à une utilisation commerciale ou commune. Une telle utilisation entraînerait l'annulation de la garantie de l'appareil et notre société n'est pas responsable des pertes éventuelles.
- Cet appareil a été conçu pour être utilisé dans les maisons et il ne convient qu'au refroidissement/à la conservation des aliments. Il ne convient pas à une utilisation commerciale ou commune et/ou pour stocker toute autre substance que de la nourriture. Dans le cas contraire, notre société n'est pas responsable des pertes éventuelles.

2 DESCRIPTION DE L'APPAREIL



 Cette présentation des parties de l'appareil est fournie à titre informatif uniquement. Les parties peuvent varier en fonction du modèle d'appareil.

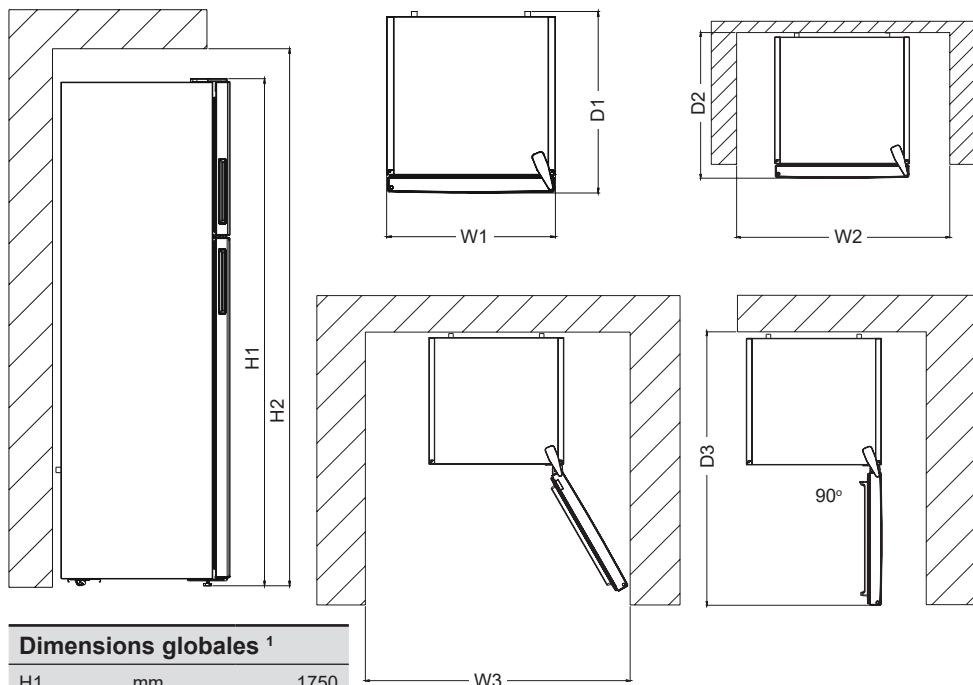
- A) Compartiment congélateur
B) Compartiment réfrigérateur
- 1) Clayette congélateur
 - 2) Brasseur d'air *
 - 3) Clayettes réfrigérateur
 - 4) Couvercle du compartiment à légumes
 - 5) Compartiment à légumes
 - 6) Pieds réglables
 - 7) Balconnet à bouteilles
 - 8) Balconnet de porte réglable * / Balconnet
 - 9) Balconnets
 - 10) Boîtier thermostat
 - 11) Support porte-œufs
 - 12) Bac à glaçons

* Sur certains modèles

Compartment des aliments frais (réfrigérateur) : L'utilisation la plus efficace de l'énergie est assurée dans la configuration avec les tiroirs dans la partie inférieure de l'appareil, et les étagères uniformément réparties. La position des bacs de porte n'affecte pas la consommation d'énergie.

Compartment congélation (congélateur) : L'utilisation la plus efficace de l'énergie est assurée dans la configuration où les tiroirs et les bacs sont en position de stock.

8.1 Dimensions



Dimensions globales ¹

H1	mm	1750
W1	mm	595
D1	mm	598

¹ la hauteur, la largeur et la profondeur de l'appareil sans la poignée.

Espace nécessaire à l'utilisation ²

H2	mm	1900
W2	mm	695
D2	mm	700,5

² la hauteur, la largeur et la profondeur de l'appareil, y compris la poignée, ainsi que l'espace nécessaire à la libre circulation de l'air de refroidissement.

Espace global nécessaire à l'utilisation ³

W3	mm	990
D3	mm	1141,5

³ la hauteur, la largeur et la profondeur de l'appareil, y compris la poignée, plus l'espace nécessaire à la libre circulation de l'air de refroidissement, plus l'espace nécessaire pour permettre l'ouverture de la porte à l'angle minimum permettant le retrait de tous les équipements internes.

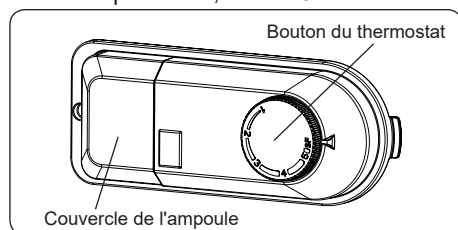
3 UTILISATION DE L'APPAREIL

3.1 Informations relatives à la technologie moins de givre

Grâce à l'évaporateur enveloppant, la technologie Less Frost (moins de givre) permet un refroidissement plus efficace, un dégivrage manuel limité et offre un espace de stockage plus flexible.

3.2 Réglage du thermostat

Le thermostat régule automatiquement la température à l'intérieur des compartiments réfrigérateur et congélateur. Des températures plus fraîches peuvent être obtenues en tournant le bouton sur des valeurs supérieures, de 1 à 5 et SF.



Paramètres du thermostat

- Mettre le bouton dans une position basse/intermédiaire, jusqu'à 3, pour une conservation à court terme de la nourriture dans l'appareil.
- Mettre le bouton dans une position intermédiaire, 3 ou 4, pour une conservation à long terme de la nourriture dans l'appareil.
- Réglez le bouton sur 5 en cas d'utilisation fréquente d'aliments frais et des compartiments congélateur dans des températures ambiantes chaudes.
- Tournez le bouton sur SF pour congeler rapidement les aliments frais. Dans cette position, le compartiment congélateur fonctionnera à des températures plus basses. Une fois que vos aliments sont congelés, remettez le bouton du thermostat dans sa position d'utilisation normale. Si vous ne changez pas la position sur SF, votre appareil se

remettra automatiquement à la dernière position du thermostat utilisée après 48 heures. Remettre l'interrupteur du thermostat en position SF et le remettre en service normal 48 heures plus tard.



Remarque importante : Si l'interrupteur du thermostat est en position SF lors du premier démarrage de votre appareil, le fonctionnement de votre appareil reviendra automatiquement en position thermostat 3 48 heures après le démarrage.

3.3 Avertissements relatifs aux paramètres de température

- La température ambiante, la température des aliments nouvellement stockés et la fréquence d'ouverture de la porte affectent la température du compartiment réfrigérateur. Si nécessaire, modifier le réglage de la température.
- Il n'est pas recommandé d'utiliser le réfrigérateur dans des environnements dont la température est inférieure à 10 °C pour préserver son efficacité.
- Lors du réglage du thermostat, il convient de tenir compte de la fréquence d'ouverture et de fermeture des portes de l'appareil, de la quantité de nourriture stockée dans le réfrigérateur et de l'environnement dans lequel le congélateur se trouve.
- Lorsque l'appareil est mis en marche pour la première fois, il convient de le faire tourner pendant 24 heures pour qu'il atteigne la température de fonctionnement. Au cours de cette période, ne pas ouvrir la porte et ne pas conserver une quantité importante de nourriture à l'intérieur.
- Débrancher l'appareil pendant les coupures de courant pour éviter tout dommage au compresseur. Une fois que le courant est restauré, attendre 5 à 10 minutes avant de rebrancher l'appareil. Cela permet d'éviter tout dommage aux composants de l'appareil.
- L'appareil a été conçu pour fonctionner dans la plage de température

ambiante préconisée dans les normes, conformément à la classe climatique indiquée sur l'étiquette d'information. Il n'est pas recommandé que le réfrigérateur soit utilisé dans des environnements dont la température se situe en dehors de la plage indiquée. Cela réduirait l'efficacité en termes de refroidissement de l'appareil.

- L'appareil a été conçu pour fonctionner dans l'intervalle de température ambiante (N = 16 °C - 32 °C) préconisé dans les normes, conformément à la classe climatique indiquée sur l'étiquette d'information. Nous ne recommandons pas d'utiliser l'appareil en dehors des limites de température indiquées pour ménager l'efficacité du refroidissement. Consulter les avertissements associés.

Classe Climatique et signification :

T (tropical) : Cet appareil frigorifique est destiné à être utilisé à des températures ambiantes comprises entre 16 °C et 43 °C.

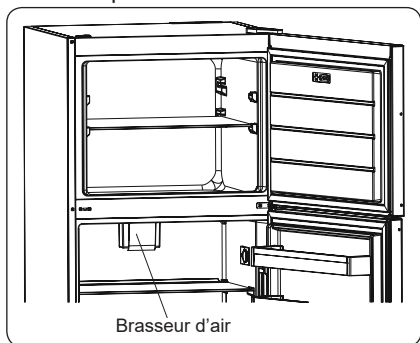
ST (subtropical) : Cet appareil frigorifique est destiné à être utilisé à des températures ambiantes comprises entre 16 °C et 38 °C.

N (tempéré) : Cet appareil frigorifique est destiné à être utilisé à des températures ambiantes comprises entre 16 °C et 32 °C.

SN (Tempéré étendu) : Cet appareil frigorifique est destiné à être utilisé à des températures ambiantes comprises entre 10 °C et 32 °C.

Brasseur d'air (le cas échéant)

Ne pas bloquer les ouvertures d'entrée et de sortie de l'air lorsque des aliments sont stockés, car cela perturbe la circulation d'air induite par le brasseur d'air.

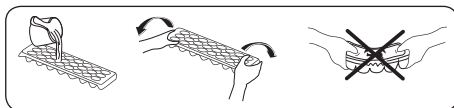


3.4 Accessoires

Les descriptions visuelles et textuelles de la section relatives aux accessoires peuvent varier selon le modèle de votre appareil.

3.4.1 Bac à glaçons

- Remplir le bac à glaçons d'eau et le placer dans le compartiment congélateur.
- Une fois que l'eau a complètement gelé, il est possible de tordre le bac à glaçons comme indiqué pour retirer les glaçons.

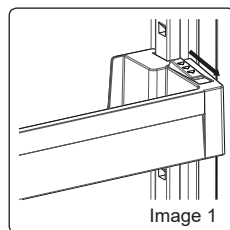


3.4.2 Balconnet réglable (Sur certains modèles)

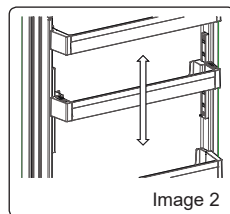
Six réglages de hauteur différents peuvent être effectués afin d'obtenir les zones de rangement nécessaires grâce au balconnet réglable.

Pour modifier la position du balconnet réglable:

Maintenir le fond du balconnet et tirer les languettes situées sur les côtés du balconnet dans le sens de la flèche. (Image 1)



Positionner le balconnet à la hauteur requise en le déplaçant vers le haut et le bas. Une fois le balconnet à la position souhaitée, relâcher les languettes situées sur les côtés (Image 2). Avant de lâcher le balconnet, exercer une pression vers le haut et le bas pour s'assurer qu'il est parfaitement en place.

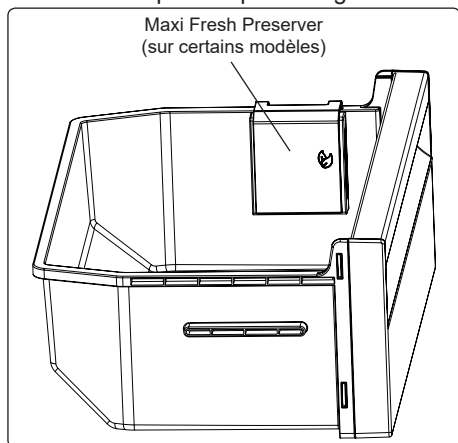
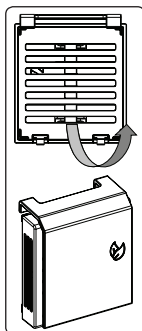


Remarque : Si le balconnet est chargé, avant de le déplacer il faut le soutenir par le fond. Dans le cas contraire, le balconnet pourrait sortir des rails en raison de son poids. Ceci pourrait endommager le balconnet ou les rails.

3.4.3 Maxi Fresh Preserver (Sur certains modèles)

La technologie Maxi Fresh Preserver permet d'éliminer l'éthylène (un bioproduit émis naturellement par les aliments frais) et les odeurs désagréables du compartiment à légumes. De cette manière, les aliments restent frais plus longtemps.

- Le Maxi Fresh Preserver doit être nettoyé une fois par an. Le filtre doit être placé au four à 65 °C pendant 2 heures.
- Pour nettoyer le filtre, retirer le couvercle arrière du boîtier du filtre en le tirant dans le sens de la flèche.
- Le filtre ne doit pas être lavé avec de l'eau ou un quelconque détergent.




4 RANGEMENT DES ALIMENTS

4.1 Compartiment du réfrigérateur

- Pour diminuer l'humidité et éviter la formation de givre associée, toujours ranger les aliments dans des récipients fermés dans le réfrigérateur. Le givre a tendance à se concentrer dans les parties les plus froides où l'humidité des aliments s'évapore et, au fil du temps, votre appareil nécessitera un dégivrage plus fréquent.
- Ne jamais placer d'aliments chauds dans le réfrigérateur. Les aliments chauds doivent refroidir à température ambiante et être disposés de façon à permettre une circulation adéquate de l'air dans le compartiment réfrigérateur.
- S'assurer qu'aucun élément n'est en contact direct avec la paroi arrière de l'appareil car du givre risque de se former et l'emballage de coller à cette dernière. Ne pas ouvrir fréquemment la porte du réfrigérateur.
- Il est recommandé que la viande et le poisson vidé soient placés dans un emballage hermétique et mis sur la clayette en verre située juste au-dessus du bac à légumes où l'air est plus frais, ce qui offre des conditions de conservation optimales.
- Ranger les fruits et les légumes en vrac dans le compartiment à légumes.
- Le fait de séparer les fruits et les légumes permet d'éviter aux légumes sensibles à l'éthylène (légumes-feuilles, brocolis, carottes, etc.) d'être altérés par les fruits générateurs d'éthylène (bananes, pêches, abricots, figues, etc.).
- Ne pas placer de légumes humides dans le réfrigérateur.
- La durée de conservation de l'ensemble des aliments dépend de leur qualité initiale et du respect d'un cycle de réfrigération ininterrompu avant leur rangement dans le réfrigérateur.

- Pour éviter toute contamination croisée, ne pas ranger la viande avec des fruits et des légumes. L'eau s'écoulant de la viande risque de contaminer les autres produits du réfrigérateur. Les produits carnés doivent être emballés et les coulures sur les clayettes doivent être nettoyées.
- Ne pas placer d'aliments sur le passage du flux d'air.
- Consommer les aliments emballés avant la date d'expiration recommandée.
- Pour des conditions de travail normales, il suffit de régler la température de votre réfrigérateur à +4 °C.
- La température du compartiment réfrigérateur doit être comprise entre 0 et 8 °C, les aliments frais en dessous de 0 °C sont glacés et pourrissent, la charge bactérienne augmente au-dessus de 8 °C et les aliments se détériorent.
- Ne mettez pas immédiatement les aliments chauds dans le réfrigérateur, attendez que la température diminue à l'extérieur. Les aliments chauds augmentent le degré de votre réfrigérateur et peuvent provoquer une intoxication alimentaire et une altération inutile des aliments.
- La viande, le poisson, etc. doivent être conservés dans le compartiment le plus réfrigéré des aliments, et le compartiment des légumes est préférable pour ranger les légumes. (si disponible)
- Pour éviter la contamination croisée, les produits à base de viande et les fruits et légumes ne doivent pas être rangés ensemble.
- Les aliments doivent être placés au réfrigérateur dans des récipients fermés ou couverts pour éviter l'humidité et les odeurs.

 **REMARQUE** : Les pommes de terre, les oignons et l'ail ne doivent pas être rangés dans le réfrigérateur.

Le tableau ci-dessous est un guide rapide indiquant comment ranger le plus efficacement les aliments dans le compartiment réfrigérateur.

Aliment	Durée de conservation maximale	Méthode et lieu de conservation
Légumes et fruits	1 semaine	Bac à légumes
Viande et poisson	2 à 3 jours	Emballer dans un film ou des sacs plastiques ou dans une boîte conçue pour la viande et ranger sur la clayette en verre
Fromage frais	3 à 4 jours	Sur le balconnet indiqué
Beurre et margarine	1 semaine	Sur le balconnet indiqué
Produits en bouteille, par exemple lait et yaourt	Jusqu'à la date d'expiration recommandée par le producteur	Sur le balconnet indiqué
Œufs	1 mois	Sur le balconnet à œufs indiqué
Aliments cuits	2 jours	Toutes les clayettes

4.2 Compartiment congélateur

- Le congélateur est utilisé pour stocker des aliments congelés, congeler des aliments frais et faire des glaçons.
- Pour congeler des aliments frais; emballer et sceller correctement les aliments frais, en d'autres mots l'emballage doit être étanche à l'air et ne pas fuir. Les sacs congélateurs, les sacs en polyéthylène renforcé d'aluminium et les conteneurs en plastique sont idéaux.
- Ne pas ranger des aliments frais à côté d'aliments congelés car cela risquerait de faire fondre les aliments congelés.
- Avant de congeler des aliments frais, les diviser en portions de façon à pouvoir les consommer en une seule fois.
- Consommer les aliments congelés rapidement après leur décongélation

- Ne jamais placer d'aliments chauds dans le compartiment congélateur car ils risqueraient de faire fondre les aliments congelés.
- Toujours respecter les instructions du fabricant figurant sur l'emballage des aliments lorsque l'on stocke des aliments congelés. En l'absence d'informations, ne pas conserver les aliments plus de 3 mois à compter de la date d'achat.
- Lors de l'achat d'aliments congelés, s'assurer qu'ils ont été conservés dans des conditions adéquates et que leur emballage n'est pas endommagé.
- Les aliments congelés doivent être transportés dans des conteneurs adéquats et placés dans le congélateur dès que possible.
- Ne pas acheter d'aliments congelés si leur emballage présente des signes d'humidité et un gonflement anormal. Il est alors probable qu'ils ont été conservés à une température inappropriée et que leur contenu est altéré.
- La durée de conservation des aliments congelés dépend de la température ambiante, du paramètre du thermostat, de la fréquence d'ouverture de la porte, du type de nourriture et de la durée requise pour transporter le produit du magasin à votre domicile. Toujours suivre les instructions imprimées sur l'emballage et ne jamais dépasser la durée de conservation maximale indiquée.
- La quantité maximale d'aliments frais (en kg) qui peut être congelée en 24 heures est indiquée sur l'étiquette de l'appareil.
- Pour congeler des aliments frais, s'assurer que la plus grande surface possible des aliments se trouve en contact avec la surface réfrigérante.


REMARQUE : La porte du congélateur s'ouvre difficilement après la fermeture immédiate de la porte. Une fois l'équilibre de température atteint, la porte s'ouvrira facilement.

Remarque importante :

- Ne jamais recongeler des aliments décongelés.
- Le goût de certaines épices utilisées dans les plats cuisinés (anis, basilic, cresson, vinaigre, mélange d'épices, gingembre, ail, oignon, moutarde, thym, marjolaine, poivre noir, etc.) change et se renforce en cas de conservation pendant une période prolongée. Par conséquent, ajouter de petites quantités d'épices aux aliments à congeler ou mettre les épices souhaitées une fois les aliments décongelés.
- La durée de conservation des aliments dépend du type de graisse utilisée. Les graisses adéquates sont la margarine, la graisse de veau, l'huile d'olive et le beurre. L'huile d'arachide et la graisse de porc sont inappropriées.
- La nourriture sous forme liquide doit être congelée dans des gobelets en plastique et les autres aliments dans des films ou sacs en plastique.



Le tableau ci-dessous est un guide rapide indiquant comment ranger le plus efficacement les aliments dans le compartiment congélateur.

Viande et poisson	Préparation	Durée de conservation maximale (mois)
Steak	Emballer dans du papier aluminium	6 à 8
Agneau	Emballer dans du papier aluminium	6 à 8
Rôti de veau	Emballer dans du papier aluminium	6 à 8
Cubes de veau	En petite portion	6 à 8
Cubes d'agneau	En petite portion	4 à 8
Viande hachée	Dans son emballage, sans épices	1 à 3
Abats (morceaux)	En petite portion	1 à 3
Saucisson / Salami	Doit être conservé emballé, même s'il comporte une peau	
Poulet et dinde	Emballer dans du papier aluminium	4 à 6
Oie et canard	Emballer dans du papier aluminium	4 à 6
Chevreuil, lapin, sanglier	En portions de 2,5 kg ou sous forme de filets	6 à 8
Poisson d'eau douce (saumon, carpe, truite, poisson-chat)	Après avoir vidé le poisson et nettoyé ses écailles, le laver et le sécher. Si nécessaire, retirer la queue et la tête.	2
Poissons maigres (bar, turbot, limande)		4
Poissons gras (thon, maquereau, tassergal, anchois)		2 à 4
Crustacés	Nettoyer et placer dans un sac	4 à 6
Caviar	Dans son emballage ou dans un récipient en aluminium ou en plastique	2 à 3
Escargots	Dans de l'eau salée ou dans un récipient en aluminium ou en plastique	3
 REMARQUE	:La viande décongelée doit être cuisinée comme de la viande fraîche. Si la viande n'est pas cuisinée après avoir été décongelée, elle ne doit pas être recongelée.	


Légumes et fruits	Préparation	Durée de conservation maximale (mois)
Haricots verts et haricots	Laver, couper en petits morceaux et porter à ébullition	10 à 13
Pois	Écosser, laver et porter à ébullition	12
Chou	Nettoyer et porter à ébullition	6 à 8
Carotte	Nettoyer, couper en tranches et porter à ébullition	12
Poivrons	Couper la tige, couper en deux morceaux, retirer l'intérieur et porter à ébullition	8 à 10
Épinard	Laver et porter à ébullition	6 à 9
Chou-fleur	Retirer les feuilles, couper le cœur en morceaux et laisser tremper quelques instants dans l'eau avec un peu de jus de citron	10 à 12


Légumes et fruits	Préparation	Durée de conservation maximale (mois)
Aubergines	Couper en morceaux de 2 cm après lavage	10 à 12
Maïs	Nettoyer et emballer avec la tige ou sous forme de grains de maïs doux	12
Pommes et poires	Peler et trancher	8 à 10
Abricots et pêches	Couper en deux morceaux et retirer le noyau	4 à 6
Fraises et mûres	Laver et équeuter	8 à 12
Fruits cuits	Ajouter 10 % de sucre dans le récipient	12
Prunes, cerises	Laver et équeuter	8 à 12


	Durée de conservation maximale (mois)	Durée de décongélation à température ambiante (heures)	Durée de décongélation au four (minutes)
Pain	4 à 6	2 à 3	4 à 5 (220 à 225 °C)
Biscuits	3 à 6	1 à 1,5	5 à 8 (190 à 200 °C)
Pâtes	1 à 3	2 à 3	5 à 10 (220 à 225 °C)
Tarte	1 à 1,5	3 à 4	5 à 8 (190 à 200 °C)
Pâte filo	2 à 3	1 à 1,5	5 à 8 (190 à 200 °C)
Pizza	2 à 3	2 à 4	15 à 20 (200 °C)

Produits laitiers	Préparation	Durée de conservation maximale (mois)	Conditions de conservation
Lait en pack (homogénéisé)	Dans son propre emballage	2 à 3	Lait, dans son emballage
Fromage, en dehors du fromage blanc	En tranches	6 à 8	L'emballage d'origine peut être utilisé pour un stockage pendant une courte période. Conserver emballé dans du papier aluminium pour de plus longues périodes.
Beurre, margarine	Dans son emballage	6	


5 NETTOYAGE ET ENTRETIEN

 Débrancher l'appareil de l'alimentation électrique avant de le nettoyer.

 Ne pas nettoyer votre appareil en versant de l'eau dessus.

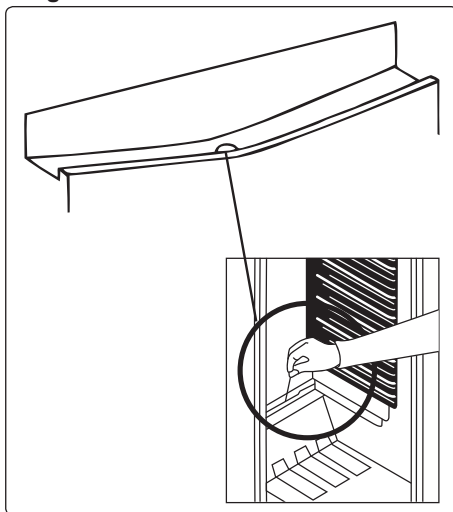
 Ne pas utiliser de produits, de détergents ou de savons abrasifs pour nettoyer l'appareil. Après avoir procédé au lavage, rincer à l'eau claire et sécher soigneusement. Lorsque le nettoyage est terminé, rebrancher la fiche sur l'alimentation électrique avec les mains sèches.

- S'assurer que l'eau ne pénètre pas dans le boîtier de la lampe et dans d'autres composants électriques.
- L'appareil doit être nettoyé régulièrement à l'aide d'une solution à base de bicarbonate de soude et d'eau tiède.
- Nettoyer les accessoires séparément à la main avec du savon et de l'eau. Ne pas laver les accessoires au lave-vaisselle.
- Nettoyer le condenseur avec une brosse au moins deux fois par an. Ceci permet de réaliser des économies d'énergie et d'améliorer le rendement.

  **L'alimentation électrique doit être débranchée pendant le nettoyage.**

5.1 Décongélation

Dégivrage du compartiment du réfrigérateur



- Le dégivrage s'effectue automatiquement en cours de fonctionnement dans le compartiment du réfrigérateur. L'eau est recueillie par le bac d'évaporation et s'évapore automatiquement.
- Le bac d'évaporation et l'orifice d'évacuation de l'eau doivent être nettoyés périodiquement en utilisant la tige de vidange pour éviter que l'eau ne stagne en bas du réfrigérateur au lieu de s'écouler.
- Il est également possible de nettoyer l'orifice d'évacuation en y versant un demi-verre d'eau.

Compartiment congélateur


Le givre accumulé dans le compartiment congélateur doit être éliminé régulièrement (à l'aide de la raclette en plastique fournie). Le compartiment congélateur doit être nettoyé de la même façon que le compartiment du réfrigérateur, en utilisant la fonction de dégivrage, au moins deux fois par an.

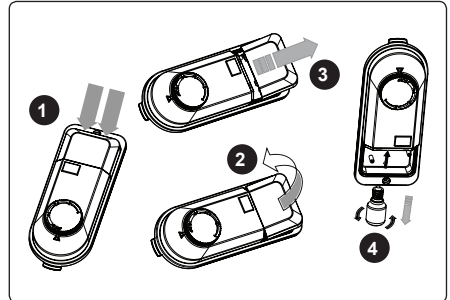
Pour ce faire :

- Le jour précédant le dégivrage, régler le cadran du thermostat en position « 5 » pour congeler complètement les aliments.

- Pendant le dégivrage, les aliments congelés doivent être emballés dans plusieurs couches de papier et conservés dans un endroit frais. La hausse inévitable de température qui se produira réduira leur durée de conservation. Ne pas oublier de consommer ces aliments dans un délai relativement court.
- Régler le bouton du thermostat en position « • » et débrancher l'appareil de l'alimentation secteur. Laisser la porte ouverte jusqu'à ce que l'appareil soit complètement dégivré.
- Pour accélérer le processus de dégivrage, placer un ou deux bols d'eau chaude dans le compartiment congélateur.
- Sécher soigneusement l'intérieur de l'appareil et régler le bouton du thermostat en position MAX avant de rebrancher la fiche de l'appareil.


5.2 Remplacement de l'ampoule

 **Remarque importante :** Débrancher l'appareil de l'alimentation électrique avant de procéder au remplacement.



1. Appuyer sur les crochets du cache de l'ampoule. (Fig. 1)
2. Ouvrir le cache de l'ampoule dans le sens de la flèche lorsque les crochets supérieurs sortent du boîtier. (Fig. 2)
3. Sortir le cache dans le sens de la flèche et le retirer. (Fig. 3)
4. Tourner l'ampoule dans le sens antihoraire et la retirer. (Fig. 4)
5. Remplacer l'ampoule existante par une nouvelle ampoule de 15 W maximum. (Fig. 4)
6. Exécuter les étapes dans l'ordre inverse.
7. Après avoir attendu 5 minutes, brancher l'appareil.


Remplacement de l'éclairage LED

 Pour remplacer ces LED, prière de contacter le service après-vente agréé.

6 TRANSPORT ET CHANGEMENT DE PLACE

6.1 Transport et changement de place

- L'emballage d'origine et la mousse peuvent être conservés pour transporter de nouveau l'appareil (de façon optionnelle).
- Envelopper votre appareil avec un emballage épais, des sangles ou des cordes solides et suivre les instructions de transport figurant sur l'emballage.
- Retirer toutes les pièces amovibles (les clayettes, les accessoires, les bacs à légumes, etc.) ou les fixer dans l'appareil à l'aide de ruban adhésif pour éviter les chocs en cas de changement de place ou de transport.

 Toujours transporter votre appareil en position verticale.

6.2 Changement de position de la porte

- Le sens d'ouverture de la porte de votre appareil ne peut pas être modifié si les poignées sont montées sur la surface avant de la porte de l'appareil.
- Il est possible de changer le sens d'ouverture de la porte sur les modèles sans poignées.
- Si le sens d'ouverture de la porte de votre appareil peut être modifié, contacter votre technicien agréé le plus proche pour procéder au changement.

7 AVANT DE CONTACTER LE SERVICE APRÈS-VENTE

Si votre réfrigérateur ne fonctionne pas correctement, il se peut qu'il présente un problème mineur. Vérifier ce qui suit.

L'appareil ne fonctionne pas

Vérifier si :

- Il est alimenté en électricité.
- Il est raccordé au secteur.
- L'un des fusibles est-t-il défectueux?
- Le paramètre du thermostat se trouve en position « • ».
- La prise est défectueuse. Pour vérifier cela, brancher un autre appareil en état de marche sur la même prise.

L'appareil fonctionne mal

Vérifier si :

- L'appareil est trop chargé.
- Les portes sont correctement fermées.
- De la poussière se trouve sur le condenseur.
- L'espace situé à l'arrière et sur les côtés est suffisant.

L'appareil est bruyant

Le gaz de refroidissement circulant dans le circuit du réfrigérateur peut générer un léger bruit (son de bouillonnement) même si le compresseur ne fonctionne pas. Pas d'inquiétude, ceci est normal. Si un son différent retentit, vérifier si :

- L'appareil est de niveau.
- Rien ne touche l'arrière de l'appareil.
- Des objets vibrent dans l'appareil.

Il y a de l'eau dans la partie inférieure du réfrigérateur

Vérifier si :

L'orifice d'évacuation de l'eau n'est pas bouché (utiliser la tige de vidange du dégivrage pour nettoyer l'orifice d'évacuation).

Recommandations

- Si l'appareil est mis hors tension ou débranché, attendre au moins 5 minutes avant de brancher l'appareil ou de le redémarrer afin d'éviter d'endommager le compresseur.
- L'unité de refroidissement de votre réfrigérateur se trouve à l'arrière de l'appareil. Par conséquent, des gouttelettes d'eau ou de la glace peuvent se former sur l'arrière de votre réfrigérateur en raison du fonctionnement du compresseur à des intervalles spécifiés. Ceci est normal, il n'est pas nécessaire de réaliser une opération de dégivrage sauf en présence d'une quantité de glace excessive.
- Si l'on ne souhaite pas utiliser le réfrigérateur pendant une longue période (pendant les vacances d'été, par exemple), régler la position du thermostat sur « • », dégivrer et nettoyer le réfrigérateur, puis laisser la porte ouverte pour éviter la formation de moisissures et d'odeurs.
- Si un problème persiste après avoir suivi toutes les instructions ci-dessus, prière de consulter votre technicien agréé le plus proche.
- Cet appareil est destiné à un usage domestique uniquement. Il ne convient pas à une utilisation commerciale ou commune. Si le consommateur utilise l'appareil d'une façon inappropriée, nous insistons sur le fait que le fabricant et le vendeur ne pourront être tenus responsables quant à une quelconque réparation ou panne survenant pendant la période de garantie.

8 CONSEILS POUR ÉCONOMISER DE L'ÉNERGIE

1. Installer l'appareil dans une pièce fraîche et bien ventilée, mais pas à la lumière directe du soleil ou à proximité d'une source de chaleur (comme un radiateur ou un four), dans le cas contraire une plaque isolante doit être utilisée.
2. Laisser les aliments et les boissons refroidir avant de les placer dans l'appareil.
3. Placer les aliments en cours de décongélation dans le compartiment du réfrigérateur. La basse température des aliments congelés permettra de refroidir le compartiment du réfrigérateur pendant leur décongélation. Ceci permettra d'économiser de l'énergie. Laisser les aliments décongeler à l'extérieur de l'appareil se traduit par un gaspillage d'énergie.
4. Les boissons et les aliments doivent être conservés fermés dans l'appareil. Dans le cas contraire, l'humidité augmente et, par conséquent, l'appareil utilise plus d'énergie. Conserver les boissons et autre liquides fermés permet de préserver leur odeur et leur goût.
5. Éviter de laisser les portes ouvertes pendant des périodes prolongées et d'ouvrir les portes trop fréquemment car de l'air chaud pénètre alors dans l'appareil et provoque une mise en marche inutile et fréquente du compresseur.
6. Laisser les couvercles des compartiments ayant une température différente (comme les compartiments à légumes et fraîcheur) fermés.
7. Le joint de la porte doit être propre et souple. En cas d'usure, si votre joint est amovible, remplacez-le. S'il n'est pas amovible, vous devez remplacer la porte.
8. Il est possible de ranger davantage d'aliments en retirant la clayette du congélateur. La consommation d'énergie est indiquée pour la charge maximale et sans la clayette du congélateur.

9 DONNÉES TECHNIQUES

Les informations techniques figurent sur la plaque signalétique sur le côté intérieur de l'appareil et sur l'étiquette énergétique.

Le code QR présent sur l'étiquette énergétique fournie avec l'appareil contient un lien Web vers les informations relatives aux performances de l'appareil dans la base de données EPREL de l'UE.

Conservez l'étiquette énergétique à titre de référence avec le manuel d'utilisation et tous les autres documents fournis avec cet appareil.

Il est également possible de trouver les mêmes informations dans EPREL à l'aide du lien <https://eprel.ec.europa.eu> avec le nom du modèle et le numéro de produit se trouvant sur la plaque signalétique de l'appareil.

10 INFORMATIONS POUR LES INSTITUTS DE TEST

L'installation et la préparation de l'appareil pour une vérification EcoDesign doivent être conformes à la norme EN 62552.

Les exigences de ventilation, les dimensions des évidements et les dégagements arrière minimum doivent correspondre aux indications du section 2 de ce manuel d'utilisation. Veuillez contacter le fabricant pour de plus amples informations, notamment les plans de chargement.

11 SERVICE ET ASSISTANCE À LA CLIENTÈLE

Utilisez toujours des pièces de rechange d'origine.

Lorsque vous contactez notre centre de service agréé, assurez-vous que vous disposez des données suivantes: modèle, numéro de série et indice de service.

Ces informations se trouvent sur la plaque signalétique. Sous réserve de modifications sans préavis.

Les pièces de rechange d'origine pour certains composants spécifiques sont disponibles pendant 10 ans à compter de la date de mise sur le marché de la dernière unité du modèle.

Visitez notre site Web pour:
www.rommer.es

Lined writing area with horizontal dotted lines.

CE



52335950

