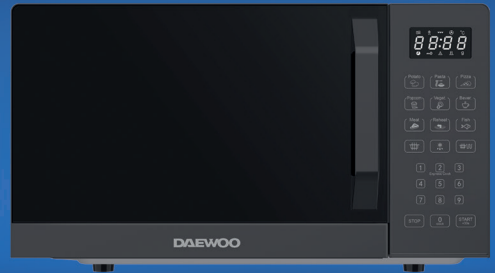
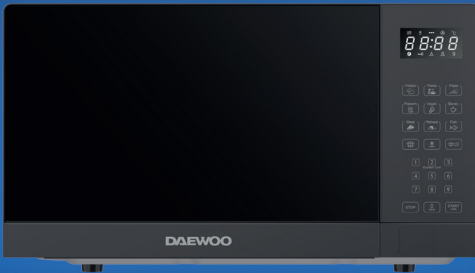


DAEWOO

MICROWAVE OVEN

HORNO MICROONDAS
MANUAL DE INSTRUÇÕES
FORN MICROONES



INSTRUCTION MANUAL

MANUAL DE INSTRUCCIONES
MANUAL DE INSTRUÇÕES
MANUAL D'INSTRUCCIONS

MD-FA202GW / MD-FA202GB | MD-FA252GW / MD-FA252GB
MD-FA207GW / MD-FA207GB | MD-FA257GW / MD-FA257GB

IMPORTANT SAFETY INSTRUCTIONS. READ CAREFULLY AND KEEP FOR FUTURE REFERENCE.
HOUSEHOLD USE ONLY. SAVE THESE INSTRUCTIONS.

INSTRUCCIONES IMPORTANTES DE SEGURIDAD. LEA ATENTAMENTE Y CONSÉRVELO PARA FUTURAS
CONSULTAS. SOLO PARA USO DOMÉSTICO. GUARDE ESTAS INSTRUCCIONES

INSTRUÇÕES DE SEGURANÇA IMPORTANTES. LEIA COM ATENÇÃO E MANTENHA PARA REFERÊNCIA FUTURA.
APENAS PARA USO DOMÉSTICO. GUARDE ESTAS INSTRUÇÕES.

INSTRUCCIONS DE SEURETAT IMPORTANTES. LLEGIU-LES ATENTAMENT I GUARDEU-LES PER A FUTURES
CONSULTES. NOMÉS PER A ÚS DOMÉSTIC. GUARDEU AQUESTES INSTRUCCIONS.

Important Safeguards

WARNING: If the door or door seals are damaged, the oven must not be operated until it has been repaired by a properly trained person.

WARNING: It is hazardous for anyone other than a properly trained person to carry out any servicing or repairs involving the removal of any cover that protects against exposure to microwave energy.

WARNING: Liquids or other food must not be heated in sealed containers, as they may explode.

1. Only use utensils that are suitable for use in microwave ovens.
2. Metal food and beverages containers are not allowed to be used in a microwave oven.
3. When heating food in plastic or paper containers, keep an eye on the oven, as it may ignite.
4. The microwave oven is intended to be used for heating food and beverages. Drying of food or clothing and heating of warming pads, slippers, sponges, damp cloth etc. may lead to injury, ignition or fire.
5. If smoke is observed, switch off or unplug the appliance and keep the door closed in order to stifle any flames.
6. Microwave heating of beverages can result in delayed eruptive boiling, therefore care has to be taken when handling the container.
7. The contents of feeding bottles and baby food jars are to be stirred or shaken and the temperature is to be checked before consumption in order to avoid burns.
8. Eggs in their shell and whole hard boiled eggs shall not be heated in microwave ovens since they may explode, even after microwave heating has been stopped.
9. Pierce hard-shelled foods such as potatoes, whole courgettes, apples and chestnuts before cooking.
10. Kitchen utensils can become hot due to the heat emitted from heated food. Oven glove may be required to handle utensils and remove heated food.
11. Check that kitchen utensils are suitable for use in a microwave oven.
12. Use the appliance only for the purposes described in this manual. Do not use corrosive chemicals or vapours in this appliance. This appliance is designed for domestic or similar indoor applications, such as heating, defrosting cooking and steaming food and beverage using.
13. Use this device in the dry location at an altitude of less than 2000 metres above sea level.
14. If the oven is not kept clean, the surface may become damaged, which could adversely affect the lifespan of the appliance and possibly result in hazards.
15. The appliance must not be placed inside a cabinet.
16. Care should be taken not to displace the turntable when removing containers from the appliance.

17. The appliance shall not be cleaned with a steam cleaner.
18. The appliance must be installed at a height of or 850 mm or more above the floor. Minimum amount of free space necessary above the top surface of the oven is 200 mm.

WARNING: When the appliance is operated in the combination mode, children should only use the oven under adult supervision given the high temperature generated.



CAUTION: HOT SURFACES

19. If the supply cord is damaged, it must be replaced by the manufacturer, a servicing agent or a similarly qualified person in order to avoid any hazards.
20. This appliance can be used by children aged 8 and above, and by persons with reduced physical, sensory or mental capabilities, or those without the necessary experience or knowledge, if they are supervised or have been instructed to use of the appliance in a safe manner and if they understand the hazards involved.
21. Children shall not play with the appliance.
22. Cleaning and user maintenance shall not be undertaken by children unless they are older than 8 and are being supervised.
23. Keep the appliance and its cord out of reach of children below the age of 8.
24. Do not put the glass plate into cold water directly after use. To avoid cracking, the glass plate needs to be left to cool at least 20 minutes, and then put into the water.
25. This appliance is intended for household use and for similar applications, e.g.:
 - staff kitchen areas in shops, offices and others working environments,
 - farm houses,
 - by the clients of hotels, motels and other hospitality facilities,
 - by the clients of bed-and-breakfasts.
26. The appliance is not intended to be operated with the use of an external timer or a remote control system.
27. Group 2 Class B appliance
Group 2 ISM equipment: group 2 contains all ISM equipment in which radio-frequency energy is intentionally generated and/or used in the form of electromagnetic radiation for the treatment of material, and EDM and arc welding equipment.

Class B equipment is suitable for use in domestic establishments and in establishments directly connected to a low voltage power supply network which supplies residential buildings.
28. This product has an internal LED light source of < 60 lm.

29. "In order to comply with EN 61000-3-11, the product must be connected to a supply of the system impedance: $|Z_{sys}| = 0.40089$ ohms or less. Prior to connecting the product to any public network, please consult your local power supply authority to ensure the power network meets the above requirement".
30. The oven should be cleaned regularly and any food residue must be removed.
31. Failure to maintain the oven clean could lead to deterioration of the surface which, in turn, could adversely affect the lifespan of the appliance and possibly result in hazards.
32. The microwave oven must not be placed inside a cabinet. The microwave oven is intended to be used as a free standing device.

Cleaning

Microwave Oven Care



WARNING:

The oven should be cleaned regularly and any food residue must be removed.



WARNING:

- a. Remove the power cord from the wall socket before cleaning and once products have been cooled. Do not immerse the appliance in water or other fluids when cleaning.
- b. Failure to maintain the oven clean could lead to deterioration of the surface which, in turn, could adversely affect the lifespan of the appliance and possibly result in hazards.
- c. Never use any harsh detergents, gasoline, any abrasive powder or metal brushes to clean any part of the appliance.
- d. Do not remove the waveguide cover.
- e. When the microwave oven has been used for a long time, unusual odors may be observed; they can be removed in three manners:
 - 1) Place several lemon slices in a cup and heat them at a high micro power for 2-3 min.
 - 2) Place a cup of red tea inside the oven, then heat at a high power.
 - 3) Place some orange peel into the oven, and then heat at a high micro power for 1 minute.
- f. When the product is not used, it should be left in a dry and ventilated area.



WARNING:

Cleaning surfaces that enter in contact with food:

After use, wipe the waveguide cover with a damp cloth, followed by a dry cloth, to remove any food splashes and grease. Any built up grease may overheat and, consequently, generate smoke or ignite.

Cleaning

Cleaning Tips

Details for cleaning door seals, the inside and adjacent parts:

Exterior: Wipe the door with a damp, soft cloth.

Door: Using a damp soft cloth, wipe clean the door and the window.
Wipe the door seals and adjacent parts to remove any spills or spatter.
Wipe the control panel with a slightly damp, soft cloth.

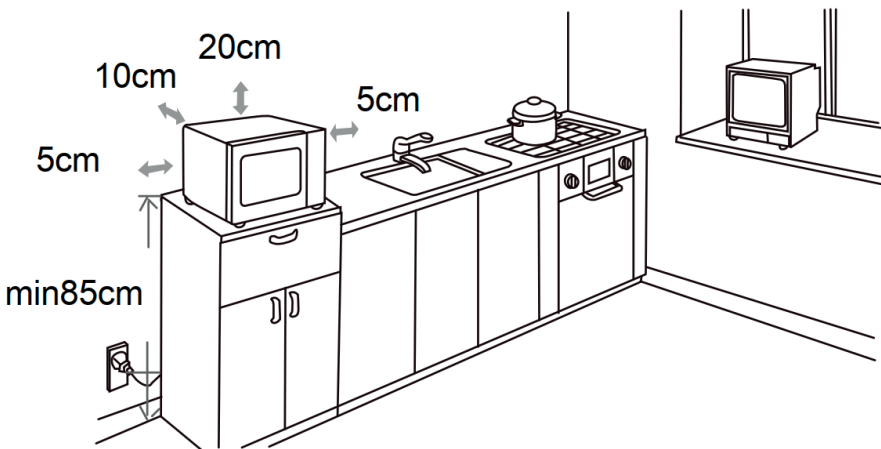
Interior walls: Wipe clean the interior surfaces with a damp, soft cloth.
Wipe clean the waveguide cover to remove any food splashed.

Turntable / Rotation ring / Rotation axis:

Wash using water with a small amount of soap.
Rinse with clean water and allow to dry thoroughly.

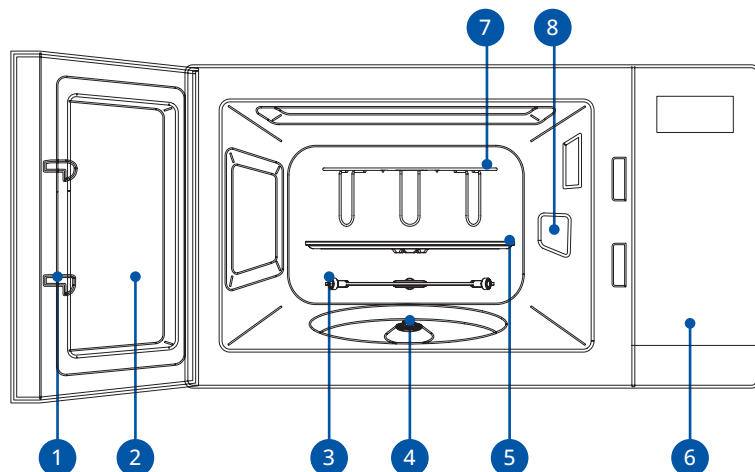
Installation

1. Remove the oven from its packaging. If the oven is covered with a safety film, tear it off before use. Check carefully for damage. If any damage is found, immediately notify the seller or send the device to the manufacturer's servicing center.
2. Microwave ovens must be kept in dry and non-corrosive environments, away from heat and humidity, such as gas burners or water tanks.
3. To ensure sufficient ventilation, the distance between the back of the microwave and the wall should be at least 10 cm, between the side and the wall at least 5 cm, and there should be no less at least 20 cm of space above the top surface. The distance between the microwave and the ground should be at least 85 cm.



4. The oven shall be installed away from a TV, a radio or any antenna, as image may be disturbed and noise may occur. This distance between these devices should be of more than 5 m.
5. The appliance must be positioned in a manner allowing access to the plug, and it good grounding must be ensured in case of any leakage; a ground loop can be formed in order to avoid an electric shock.
6. The microwave oven must be operated with the door closed.
7. The microwave oven must not be placed inside a cabinet. The microwave oven is intended to be used as a free standing device.
8. As there is residue or manufacturing oil inside the oven cavity or on heating elements, the device may generate a smell and even some smoke. It is normal and will not occur after several uses, but the door or windows must be kept open to ensure appropriate ventilation. It is strongly recommended to place a cup of water inside, to setting the oven at a high power and to switch it on several times.

Product Description



1. Door lock

Microwave oven door must be properly closed for the appliance to operate.

2. Viewing window

It allows the user to monitor the cooking process.

3. Rotating ring

The glass turntable sits on wheels; it supports the turntable and helps it to maintain balance when rotating.

4. Rotating axis

The glass turntable sits on an axis; the motor underneath drives the turntable to rotate.

5. Turntable

The food sits on the turntable, its rotation during operation ensures that food is cooked evenly.

CAUTION:

Place the rotating ring. Fit the turntable onto the rotating axis and make sure that it is geared in properly.

6. Control panel

See details below (the control panel is subject to change without prior notice).

7. Grill rack

Used for roasting food. It cannot be used in the microwave mode and must be placed on the turntable

8. Waveguide cover

It is located inside the microwave oven, next to the control panel wall.

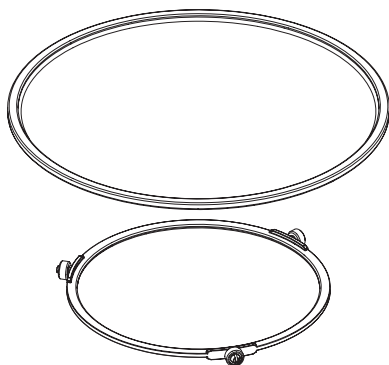
WARNING:

Never remove the waveguide cover.

Accessories

Turntable set

Glass cooking tray and roller guide

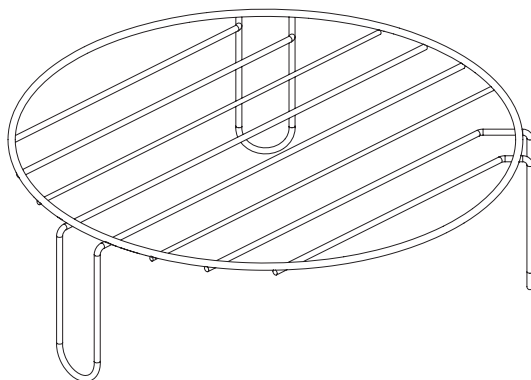


WARNING:

Always use the turntable set to prepare food in the appliance.

Grill rack

For grilling food and for combination cooking.



WARNING:

The wire grill rack is not intended for use in the microwave mode; it can only be used in grill and combination (includes short burst of microwave, which is ok) cooking modes. Using this wire grill rack in the microwave mode may cause damage to the appliance.

Operation Of The Control Panel



Before cooking

The display lights up when plugged into power supply; when the standby mode is entered, the display shows 1:00.

Microwave Function

There are ten microwave power levels, 100P, 90P, 80P, 70P, 60P, 50P, 40P, 30P, 20P and 10P, respectively. Press the button continuously and select the desired microwave power.

Press 0~9 number buttons to set the cooking time; the maximum time is 99:99. After entering the cooking time, press "START/+30s" button to begin work.

A buzzing sound will notify you that the operation has been completed.

HIGH	100% and 90% power output	Defrosting time(For quick and thorough cooking)
Med High	80% and 70% power output	(For medium express cooking)
Med	60% and 50% power output	(For steaming food)
Med Low	40% and 30% power output	(For defrosting food)
Low	20% and 10% power output	(For keeping food warm)

CAUTION

- The maximum time that can be set is 99 minutes and 99 seconds.
- Never use the grill rack in the microwave mode.
- Never operate the oven when it is empty.
- At the maximum microwave power, the oven will automatically lower the power after a certain time in order to protect the appliance and lengthen its lifespan.
- If you turn the food during operation, press the Start/+30s button once and the preset cooking process will continue.
- If you intend to remove the food before the preset time, you must press Stop button once to clear the preset procedure and to avoid any unintended operation next time you use the appliance.

Operation Of The Control Panel

Defrosting

There are two defrosting modes, dEF1 and dEF2. dEF1 is used for defrosting by weight and dEF2 for defrosting by time. Press the (⌘) button to select defrosting by weight or by time, and the display will show “dEF1” or “dEF2”. Press 0~9 buttons to set the weight of the food or the defrosting time. The weight range of dEF1 is from 100 to 1500 g, and the maximum time that can be entered in dEF2 is 99:99. After entering the number, press the “START/+30s” button to start the process. A buzzing sound will notify you that the operation has been completed. The beeping sound at the dEF1 defrosting by weight mode will notify you that the food needs to be turned over during the defrosting process.

Examples of food defrosting times:

dEF1	For defrosting, the weight range from 100 to 1,500 g.
dEF2	For defrosting, the maximum time is 99:99.

CAUTION

- It is necessary to turn the food over during the operation to make use it is defrosted evenly.*
- Defrosting usually requires more time than cooking.*
- If the food can be cut with a knife, the defrosting process can be considered completed.*
- Microwaves penetrates food at a depth of around 4 cm.*
- Defrosted food should be consumed as soon as possible; it is not advised to put it back into the fridge and freeze it again.*

Auto cooking


There are eight automatic settings: potato, pasta, pizza, popcorn, vegetable, beverages, meat and fish. Select the desired auto menu button and press the corresponding menu button continuously to select the desired food weight; the weight will be displayed. Press “START/+30s” button to start the process. A buzzing sound will notify you that the operation has been completed.

Display	Kind	Method
A.1	Potatoes	Optional weights: 250 g, 500 g and 750 g.
A.2	Pasta	Optional weights: 50 g, 100 g and 150 g.
A.3	Pizza	Optional weights: 200 g and 400 g.
A.4	Popcorn	Optional weight: 100 g.
A.5	Vegetable	Optional weights: 200 g, 400 g and 600 g.
A.6	Beverages	Optional weights: 1 cup, 2 cups or 3 cups, each one about 250 ml.
A.7	Meat	Optional weights: 200 g, 400 g and 600 g.
A.8	Fish	Optional weights: 200 g, 400 g and 600 g.

CAUTION

- a. The temperature of food before cooking is 20-25 °C. Any higher or lower food temperature before cooking would require the cooking time to be extended or shortened respectively.
- b. The temperature, weight and shape of food affects the cooking process. If any deviation has been found to the factor noted on the above menu, you can adjust the cooking time for best results.

Grilling

There are three grilling modes: G, C-1 and C-2. These are: grill, combination 1 of grill and microwave cooking, and combination 2 of grill and microwave cooking. Press the  button continuously, select the desired mode and then press 0-9 number buttons to set the cooking time; the maximum time is 99:99. After entering the cooking time, press "START/+30s" button to begin work. A buzzing sound will notify you that the operation has been completed.

G.	Grill, the heating element will be energized during the operation. It can be used for thin slices of meat, sausages and chicken wings, as grilling will brown them.
C-1	Combination of grilling and microwave cooking: 30% of microwave and of 70% grill.
C-2	Combination of grilling and microwave cooking: 55% of microwave and 45% of grill.

CAUTION

In the grill mode, all oven parts, as well as the rack and cooking containers, may become very hot. Remove any item from the oven with caution. Use heavy potholders or oven mitts to PREVENT GETTING BURNT.

Reheating

The reheating function is used mainly to facilitate the heating of food according to its weight; press "reheat" button continuously, select the weight (200 g, 400 g, 600 g, 800 g and 1000 g). After entering the cooking time, press "START/+30s" button to begin work. A buzzing sound will notify you that the operation has been completed.

Express cooking

1. In the standby mode, you can press 1~6 buttons directly to start the microwave oven. The working time is 1~6 minutes, so press 1 for the oven to work for 1 minute, press 2 for 2 minutes, etc. After entering the cooking time, press "START/+30s" button to begin work. A buzzing sound will notify you that the operation has been completed.
2. In the standby mode, after placing food inside and closing the door, press the "START/+30s" button to start the microwave immediately. The default working time is 30 seconds. During the working process, press the "START/+30s" button once for 30 seconds. A buzzing sound will notify you that the operation has been completed.

Operation Of The Control Panel

0/Clock

The clock function and the “0” button are combined in a single button. The clock works according to the 24-hour system. The clock function operates as follows:

In the standby mode, press and hold the “0/Clock” button for more than 3 seconds to enter the clock setting interface, press 0–9 buttons to set the clock time directly and press the “START/+30s” button to confirm the set time and exit the clock setting mode at the same time.

STOP

In the cooking mode, press “STOP” button to cancel the setting and return to the standby mode. In the microwave mode, press the “STOP” button to pause. In the standby mode, press “STOP” button again to cancel the function and return to the standby mode.

START/+30s

After setting the cooking time or the weight, press “START/+30s” button to start the microwave oven immediately. When the appliance is working, press “START/+30s” button to increase the cooking time; press once to increase the time by 30 seconds; time cannot be adjusted in the menu mode and the weight defrosting mode. In the pause mode, press “START/+30s” button to continue microwaving before cooking.

Child lock function

Use this feature to lock the control panel when you are cleaning or to prevent the use of the oven by unsupervised children. No buttons are active in this mode.

1. Set lock: Hold STOP button for approx. 3 seconds
2. Cancel lock: Hold STOP button for approx. 3 seconds

Utensils Guideline

It is strongly recommended to use containers that are suitable and safe for microwave cooking. Generally speaking, containers made of heat-resistant ceramics, glass or plastic are suitable for microwave cooking. Never use metal containers for microwave cooking and combination cooking, as sparks are likely to appear. Please see the reference table below.

Container material	Microwave	Grill	Combination	Notes
Heat-resistant ceramics	Yes	Yes	Yes	Never use ceramics that are decorated with a metal rim or glazed
Heat-resistant plastic	Yes	No	No	Can not be used for long microwave cooking
Heat-resistant glass	Yes	Yes	Yes	
Plastic film	Yes	No	No	It should not be used when cooking meat as excessive temperature may damage the film
Grill rack	No	Yes	Yes	The grill rack can be used in the grill mode and in the combination mode.
Metal container	No	No	No	It should not be used in a microwave oven. Microwaves can not penetrate through metal.
Enamel	No	No	No	Poor heat resistance. Can not be used for high-temperature cooking
Bamboo wood and paper	No	No	No	Poor heat resistance. Can not be used for high-temperature cooking

Cooking Tips

The following factors may affect cooking:

Food arrangement

Place thicker parts towards the extremities of the dish, and thinner parts in the center; spread evenly. As much as possible, avoid overlapping

Cooking time

Start cooking by setting a short time, check the food after the time is out and extend the time according to the need. When food is overcooked, it may burn and smoke may be generated.

Cooking food evenly

Foods such as chicken, hamburgers or steaks should be turned over once during the cooking process. Depending on the type of food, stir it from the outside towards the center of the dish once or twice during the cooking process.

Allow it to rest

After cooking the time is out, leave the food in the oven for a while; thus the cooking cycle is completed and the food can cool down.

Checking if the food is properly cooked

Check the color and the consistency of the food to establish whether it is ready. Check whether:

- Steam is coming out the entire dish, not just the edges.
- Poultry joints can be removed easily.
- There are no remains of blood on pork or poultry.
- Fish is opaque and can be sliced easily with a fork

Browning dish

When using a browning dish or a self-heating container, always place a heat-resistant insulator such as a porcelain plate underneath to prevent damage to the turntable and the rotating ring.

Microwave safe plastic wrap

When cooking high-fat food, do not allow the plastic wrap to come into contact with food, as it may melt.

Microwave safe plastic cookware

Some microwave safe plastic cookware might not be suitable for cooking foods with high fat and sugar content. Also, the preheating time specified in the dish instruction manual must not be exceeded.

Maintenance

Servicing

Please check the following before contacting the servicing department:

1. Place one cup of water (approx. 150 ml) in a glass container inside the oven and close the door securely. The light inside should go off if the door is closed properly. Turn the oven on for 1 minute.
2. Does the oven lamp work?
3. Does the cooling fan work? (Put your hand over the rear ventilation openings.)
4. Does the turntable rotate? (The turntable can rotate clockwise or counterclockwise. Both directions are normal.)
5. Is the water inside the oven hot?

If the answer to any of the above questions is "NO", check the wall socket and the fuse. If both the wall socket and the fuse are functioning properly, CONTACT AN APPROVED SERVICING CENTER NEAREST TO YOU

Servicing Safeguards

WARNING: PROMIENIOWANIE MIKROFALOWE:

1. The high voltage capacitor remains charged after the appliance has been disconnected; short circuit the negative terminal of HV capacitor to the oven chassis (use a screwdriver) to discharge before touching.
2. During servicing, parts listed below may be removed and give access to potentials above 250 V to earth.
 - Magnetron
 - High voltage transformer
 - High voltage capacitor
 - High voltage diode
 - High voltage fuse
3. The following conditions may cause undue microwave exposure during servicing.
 - Improper fitting of the magnetron.
 - Improper matching of the door interlock, the door hinge and the door.
 - Improper fitting of the switch support.
 - The door, the door seal or the enclosure have been damaged.

Specifications

Model	FA202G/FA207G	FA252G/FA257G
Power consumption	230V,50 Hz,1100 W	230 V, 50 Hz, 1320 W
Output Power	700 W	850 W
Grill heater	800 W	1000 W
Operating Frequency	2450 MHz	
Outside dimensions (W) x (H) x (D)	456 x 353 x 264	480 x 381 x 292.5
Oven Capacity	20 L	25 L
Turntable	255 mm	285 mm
Uncreated weight	11.3 kg/11,5 kg	13,1 kg/13.6 kg

*All drawings are illustrative, they may differ from the appearance of the actual device.



Correct disposal of this product

This symbol indicates that in the EU, this product should not be disposed together with other household waste. To prevent possible harm to the environment or human health due to uncontrolled waste disposal, recycle it responsibly to promote the sustainable reuse of material resources. To return your used device, please use the return and collection systems, or contact the retailer from whom the product was purchased. They can recycle this product in a manner that is safe for the environment.

Avisos importantes de seguridad

ADVERTENCIA: Si la puerta o las juntas de la puerta están dañadas, el horno no debe ponerse en funcionamiento hasta que haya sido reparado por una persona con la formación adecuada.

ADVERTENCIA: Es peligroso que una persona no debidamente formada lleve a cabo tareas de mantenimiento o reparación que implique la retirada de cualquier tapa de protección contra la exposición a la energía de microondas.

ADVERTENCIA: Los líquidos u otros alimentos no deben calentarse en recipientes cerrados, ya que pueden explotar.

1. Utilice únicamente utensilios adecuados para su uso en hornos microondas.
2. No está permitido utilizar recipientes metálicos para alimentos y bebidas en un horno microondas.
3. Al calentar alimentos en recipientes de plástico o papel, vigile el horno, ya que pueden inflamarse.
4. El horno microondas está pensado para calentar alimentos y bebidas. El secado de alimentos o ropa y el calentamiento de almohadillas térmicas, zapatillas, esponjas, paños húmedos, etc. pueden provocar lesiones, ignición o incendio.
5. Si observa humo, apague o desenchufe el aparato y mantenga la puerta cerrada para sofocar las llamas.
6. El calentamiento de bebidas en microondas puede provocar una ebullición eruptiva retardada, por lo que se debe tener cuidado al manipular el recipiente.
7. Se debe remover o agitar el contenido de biberones y potitos y comprobar la temperatura antes de consumirlos para evitar quemaduras.
8. Los huevos con cáscara y los huevos duros enteros no deben calentarse en hornos microondas, ya que pueden explotar, incluso después de interrumpir el calentamiento por microondas.
9. Perfore los alimentos de cáscara dura, como patatas, calabacines enteros, manzanas y castañas, antes de cocerlos.
10. Los utensilios de cocina pueden calentarse debido al calor que desprenden los alimentos calentados. Puede ser necesario el uso de guantes de cocina para manipular utensilios y retirar alimentos calientes.
11. Compruebe que los utensilios de cocina son adecuados para su uso en un horno microondas.
12. Utilice el aparato únicamente para los fines descritos en este manual. No utilice productos químicos o vapores corrosivos en este aparato. Este aparato está diseñado para aplicaciones domésticas o similares en interiores, como calentar, descongelar, cocinar, y cocer al vapor alimentos y bebidas.
13. Utilice este aparato en un lugar seco y a una altitud inferior a 2000 metros sobre el nivel del mar.
14. Si el horno no se mantiene limpio, la superficie puede dañarse, lo que podría afectar negativamente a la vida útil del aparato y provocar posibles peligros.
15. El aparato no debe colocarse dentro de un armario.

16. Se debe tener cuidado de no desplazar el plato giratorio al sacar los recipientes del aparato.
17. El aparato no debe limpiarse con un limpiador de vapor.
18. El aparato debe instalarse a una altura igual o superior a 850 mm por encima del suelo. El espacio libre mínimo necesario por encima de la superficie superior del horno es de 200 mm.

ADVERTENCIA: Cuando el aparato funciona en el modo combinado, los niños solo deben utilizar el horno bajo la supervisión de un adulto, dada la alta temperatura generada.



PRECAUCIÓN: SUPERFICIES CALIENTES

19. Si el cable de alimentación está dañado, debe ser sustituido por el fabricante, un servicio técnico o una persona con cualificación similar para evitar cualquier peligro.
20. Este aparato puede ser utilizado por niños a partir de 8 años y por personas con capacidades físicas, sensoriales o mentales reducidas, o que carezcan de la experiencia o los conocimientos necesarios, si están supervisados o han recibido instrucciones para utilizar el aparato de forma segura y si comprenden los peligros que conlleva.
21. Los niños no deben jugar con el electrodoméstico.
22. Las tareas de limpieza y el mantenimiento no deben ser realizadas por niños, a menos que sean mayores de 8 años y estén supervisados.
23. Mantenga el aparato y su cable fuera del alcance de niños menores de 8 años.
24. No introduzca la placa de vidrio en agua fría directamente después de usarla. Para evitar que se agriete, la placa de vidrio se debe dejar de enfriar al menos 20 minutos y luego se debe introducir en agua.
25. Este aparato está destinado al uso doméstico y a aplicaciones similares, por ejemplo:
 - zonas de cocina para el personal en tiendas, oficinas y otros entornos de trabajo,
 - granjas,
 - por los clientes de hoteles, hostales y otros establecimientos de hostelería,
 - por los clientes de pensiones.
26. El aparato no está diseñado para funcionar con el uso de un temporizador externo o un sistema de control remoto.
27. Aparato de clase B del grupo 2
Equipos ICM del grupo 2: el grupo 2 contiene todos los equipos ICM en los que se genera o utiliza intencionadamente energía de radiofrecuencia en forma de radiación electromagnética para el tratamiento de materiales, y los equipos de electroerosión y soldadura por arco.
Los equipos de clase B son adecuados para su uso en establecimientos domésticos y en establecimientos conectados directamente a una red de suministro eléctrico de baja tensión que abastezca a edificios residenciales.
28. Este producto tiene una fuente de luz LED interna de < 60 lm.
29. "Para cumplir la norma EN 61000-3-11, el producto debe conectarse a una alimentación con la impedancia del sistema de: $|Z_{\text{sys}}| = 0.40089$ ohmios o menos.

Antes de conectar el producto a cualquier red pública, consulte a la autoridad local de suministro eléctrico para asegurarse de que la red cumple el requisito anterior".

30. El horno debe limpiarse con regularidad y deben eliminarse los restos de alimentos.
31. Si no el horno no se mantiene limpio, la superficie podría deteriorarse, lo que, a su vez, podría afectar negativamente a la vida útil del aparato y, posiblemente, ocasionar riesgos.
32. El horno microondas no debe colocarse dentro de un armario. El horno microondas está concebido para ser utilizado como aparato independiente.

Limpeza

Cuidado del horno microondas



ADVERTENCIA:

El horno debe limpiarse con regularidad y deben eliminarse los restos de alimentos.



ADVERTENCIA:

- a. Desconecte el cable de alimentación de la toma de corriente antes de limpiar y una vez que los productos se hayan enfriado. No sumerja el aparato en agua u otros líquidos cuando lo limpie.
- b. Si no se mantiene limpio el horno, la superficie podría deteriorarse, lo que, a su vez, podría afectar negativamente a la vida útil del aparato y, posiblemente, ocasionar riesgos.
- c. No utilice nunca detergentes fuertes, gasolina, polvos abrasivos ni cepillos metálicos para limpiar ninguna pieza del aparato.
- d. No retire la cubierta de la guía de ondas.
- e. Si el horno microondas se ha utilizado durante mucho tiempo, podrían sentirse olores extraños; estos pueden eliminarse de tres maneras:
 - 1) Introduzca varias rodajas de limón en una taza y caliéntalas a potencia alta durante 2 a 3 minutos.
 - 2) Introduzca una taza de té rojo en del horno y caliéntala a alta potencia.
 - 3) Introduzca piel de naranja en el horno y caliéntela a potencia alta durante un minuto.
- f. Si la unidad no va a utilizarse, debe dejarse en un lugar seco y ventilado.



ADVERTENCIA:

Limpieza de superficies que entran en contacto con alimentos:

Después del uso, limpie la cubierta del guía de ondas con un paño húmedo, seguido de un paño seco, para eliminar las salpicaduras de alimentos y la grasa. La grasa acumulada puede sobrecalentarse y generar humo o inflamarse.

Limpieza

Consejos de limpieza

Detalles para la limpieza de las juntas de las puertas, el interior y las piezas adyacentes:

Exterior: limpie la puerta con un paño suave y húmedo.

Puerta: limpie la puerta y la ventana con un paño suave y húmedo.

Limpie las juntas de la puerta y las piezas adyacentes para eliminar cualquier derrame o salpicadura.

Limpie el panel de control con un paño suave ligeramente humedecido.

Paredes interiores: limpie las superficies interiores con un paño suave y húmedo.

Limpie la cubierta de la guía de ondas para eliminar cualquier salpicadura de alimentos.

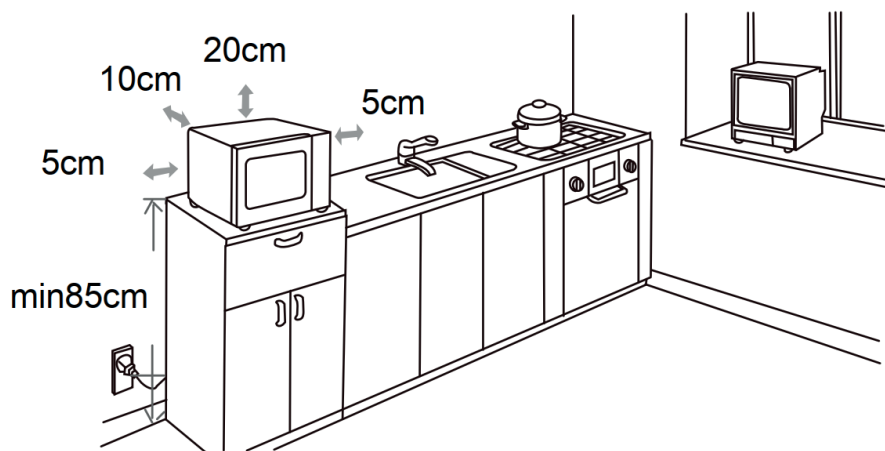
Plataforma giratoria/Anillo de rotación/Eje de rotación:

lave con agua y un poco de jabón.

Aclare con agua limpia y dejar secar bien.

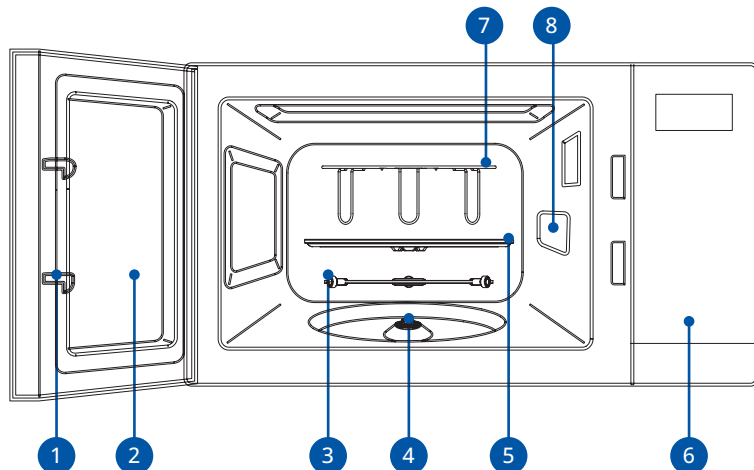
Instalación

1. Saque el horno de su embalaje. Si el horno está cubierto con una película de seguridad, retírela antes de utilizarlo. Compruebe atentamente si hay daños. Si detecta algún daño, notifíquelo inmediatamente al vendedor o envíe el aparato al centro de servicio del fabricante.
2. Los hornos microondas deben mantenerse en entornos secos y no corrosivos, alejados del calor y la humedad, como quemadores de gas o depósitos de agua.
3. Para garantizar una ventilación suficiente, la distancia entre la parte trasera del microondas y la pared debe ser de al menos 10 cm, y entre el lateral y la pared de al menos 5 cm, y no debe haber menos de al menos 20 cm de espacio por encima de la superficie superior. La distancia entre el microondas y el suelo debe ser de al menos 85 cm.



4. El horno debe instalarse lejos de televisores, radios o cualquier antena, ya que la imagen podría verse afectada y producirse ruido. La distancia entre estos dispositivos debe ser superior a 5 m.
5. El aparato debe colocarse de forma que permita el acceso al enchufe, y debe asegurarse una buena conexión a tierra en caso de fuga; puede formarse un bucle de tierra para evitar una descarga eléctrica.
6. El horno microondas debe funcionar con la puerta cerrada.
7. El horno microondas no debe colocarse dentro de un armario. El horno microondas está concebido para ser utilizado como aparato independiente.
8. La cavidad del horno o los elementos calefactores pueden tener residuos o aceite de fabricación en el interior de su, lo cual puede generar olor e incluso algo de humo. Esto es normal y no se producirá después de varios usos. Se deben mantener la puerta o las ventanas abiertas para garantizar una ventilación adecuada. Se recomienda encarecidamente colocar una taza de agua en el interior, poner el horno a alta potencia y encenderlo varias veces.

Descripción del producto



1. Cerradura de puerta

La puerta del horno microondas debe estar correctamente cerrada para que el aparato funcione.

2. Ventana de visualización

Permite al usuario controlar el proceso de cocción.

3. Anillo giratorio

El plato giratorio de cristal se asienta sobre ruedas; sostiene el plato giratorio y le ayuda a mantener el equilibrio al girar.

4. Eje de rotación

La placa giratoria de cristal se asienta sobre un eje; el motor situado debajo acciona la placa giratoria para que gire.

5. Plato giratorio

Los alimentos se asientan sobre el plato giratorio; su rotación durante el funcionamiento garantiza una preparación uniforme.

PRECAUCIÓN:

Coloque el anillo giratorio. Coloque el plato giratorio en el eje de rotación y asegúrese de que está bien asentado.

6. Panel de control

Consulte los detalles a continuación (el panel de control está sujeto a cambios sin previo aviso).

7. Parrilla

Se utiliza para asar alimentos. No puede utilizarse en el modo microondas y debe colocarse en el plato giratorio.

8. Cubierta de la guía de ondas

Se encuentra en el interior del horno microondas, junto a la pared del panel de control.

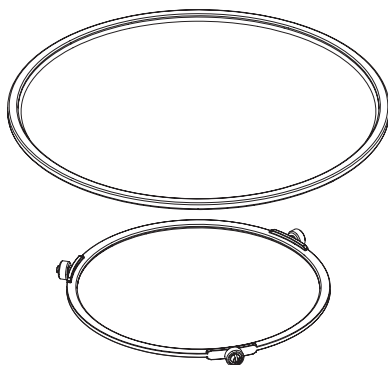
ADVERTENCIA:

No retire nunca la cubierta de la guía de ondas.

Accesorios

Conjunto del plato giratorio

Bandeja de cocción de cristal y guía de rodillos

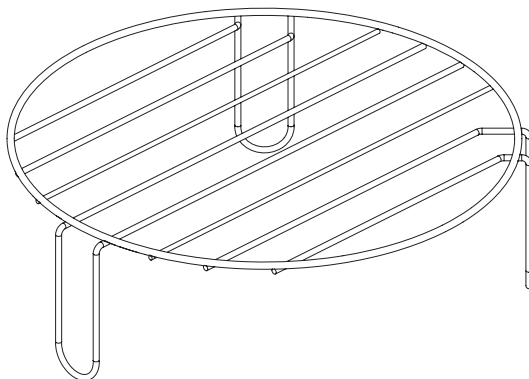


ADVERTENCIA:

Utilice siempre el conjunto del plato giratorio para preparar los alimentos en el aparato.

Parrilla

Para asar alimentos y para cocciones combinadas.



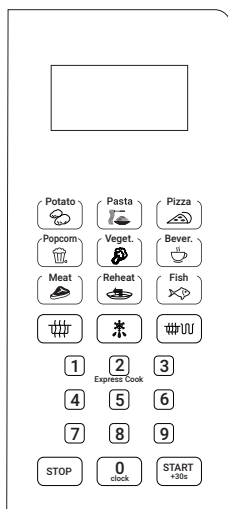
ADVERTENCIA:

La rejilla del grill no está diseñada para su uso en el modo microondas; solo se puede utilizar en los modos de cocción al grill y combinada (incluye una breve ráfaga de microondas, lo cual es correcto). El uso de esta rejilla de grill en el modo microondas puede dañar el aparato.

Funcionamiento del panel de control

Antes de cocinar

La pantalla se ilumina cuando se enchufa a la corriente; cuando entra en el modo de espera, la pantalla muestra 1:00.



Función microondas

Hay diez niveles de potencia de microondas, 100P, 90P, 80P, 70P, 60P, 50P, 40P, 30P, 20P y 10P, respectivamente. Mantenga pulsado el botón y seleccione la potencia de microondas deseada.

Pulse los botones numéricos 0 a 9 para ajustar el tiempo de cocción; el tiempo máximo es 99:99. Después de introducir el tiempo de cocción, pulse el botón "START/+30s" para empezar a utilizar el microondas.

Un zumbido le avisará de que la operación ha finalizado.


ALTO	100 % y 90 % de potencia	Tiempo de descongelación (para una cocción rápida y completa)
Medio alto	80 % y 70 % de potencia	(Para una cocción exprés media)
Medio	60 % y 50 % de potencia	(Para preparar alimentos al vapor)
Medio bajo	40 % y 30 % de potencia	(Para descongelar alimentos)
Contenido bajo	20 % y 10 % de potencia	(Para mantener la comida caliente)

PRECAUCIÓN

- El tiempo máximo que puede ajustarse es de 99 minutos y 99 segundos.
- No utilice nunca la rejilla del grill en el modo microondas.
- No utilice nunca el horno cuando esté vacío.
- A potencia máxima de microondas, el horno reducirá automáticamente la potencia al cabo de cierto tiempo para proteger el aparato y alargar su vida útil.
- Si desea dar la vuelta a los alimentos durante el funcionamiento, pulse el botón Start/+30s una vez y el proceso de cocción preestablecido continuará.
- Si desea retirar los alimentos antes del tiempo preestablecido, debe pulsar el botón Stop una vez para borrar el procedimiento preestablecido y evitar cualquier operación involuntaria la próxima vez que utilice el aparato.

Funcionamiento del panel de control

Descongelación

El aparato incluye dos modos de descongelación, dEF1 y dEF2. dEF1 se utiliza para la descongelación por peso y dEF2 para la descongelación por tiempo. Pulse el botón  para seleccionar la descongelación por peso o por tiempo, y la pantalla mostrará "dEF1" o "dEF2". Pulse los botones de 0 a 9 para ajustar el peso de los alimentos o el tiempo de descongelación. El rango de peso de dEF1 es de 100 a 1500 g, y el tiempo máximo que se puede introducir en dEF2 es 99:99. Una vez introducido el número, pulse el botón "START/+30s" para iniciar el proceso. Un zumbido le avisará de que la operación ha finalizado. El pitido en el modo de descongelación por peso del dEF1 le avisará de que es necesario dar la vuelta a los alimentos durante el proceso de descongelación.

Ejemplos de tiempos de descongelación de alimentos:

dEF1	Para la descongelación, el peso oscila entre 100 y 1500 g.
dEF2	Para la descongelación, el tiempo máximo es de 99:99.



PRECAUCIÓN

- Es necesario dar la vuelta a los alimentos durante la operación para asegurarse de que se descongelan uniformemente.
- La descongelación suele requerir más tiempo que la cocción.
- Si el alimento se puede cortar con un cuchillo, se puede considerar que el proceso de descongelación ha finalizado.
- Las microondas penetran en los alimentos a una profundidad de unos 4 cm.
- Los alimentos descongelados deben consumirse lo antes posible; no se aconseja volver a meterlos en el frigorífico y congelarlos de nuevo.

Cocción automática


El aparato incluye ocho ajustes automáticos: Potato (patatas), Pasta, Pizza, Popocorn (palomitas), Vegetable (verduras), Beverages (bebidas), Meat (carne) y Fish (pescado). Seleccione el botón de menú automático deseado y pulse el botón de menú correspondiente de forma continuada para seleccionar el peso de alimento deseado; se mostrará el peso. Pulse el botón "START/+30s" para iniciar el proceso. Un zumbido le avisará de que la operación ha finalizado.

Pantalla	Tipo	Método
A.1	Patatas	Pesos opcionales: 250 g, 500 g y 750 g
A.2	Pasta	Pesos opcionales: 50 g, 100 g y 150 g
A.3	Pizza	Pesos opcionales: 200 g y 400 g
A.4	Palomitas de maíz	Peso opcional: 100 g.
A.5	Verduras	Pesos opcionales: 200 g, 400 g y 600 g
A.6	Bebidas	Pesos opcionales: 1 taza, 2 tazas o 3 tazas, cada una de ellas de unos 250 ml.
A.7	Carne	Pesos opcionales: 200 g, 400 g y 600 g
A.8	Pescado	Pesos opcionales: 200 g, 400 g y 600 g

PRECAUCIÓN

- a. La temperatura de los alimentos antes de la cocción es de 20 a 25 °C. Cualquier temperatura más alta o más baja de los alimentos antes de la cocción obligaría a prolongar o acortar el tiempo de cocción, respectivamente.
- b. La temperatura, el peso y la forma de los alimentos influyen en el proceso de cocción. Si se ha detectado alguna desviación con respecto al factor indicado en el menú anterior, puede ajustar el tiempo de cocción para obtener los mejores resultados.

Asado

Hay tres modos de asado: G, C-1 y C-2. Estos son: grill, combinación 1 de grill y microondas, y combinación 2 de grill y microondas. Mantenga pulsado el botón , seleccione el modo deseado y luego pulse los botones numéricos 0-9 para ajustar el tiempo de cocción; el tiempo máximo es 99:99. Después de introducir el tiempo de cocción, pulse el botón "START/+30s" para empezar a utilizar el microondas. Un zumbido le avisará de que la operación ha finalizado.

G.	Grill, el elemento calefactor recibirá energía durante la operación. Se puede utilizar para lonchas finas de carne, salchichas y alitas de pollo, ya que al asarlas se doran.
C-1	Combinación de grill y microondas: 30 % de microondas y de 70 % de grill.
C-2	Combinación de grill y microondas: 55 % de microondas y 45 % de grill.

PRECAUCIÓN

En el modo grill, todas las partes del horno, así como la rejilla y los recipientes de cocción, pueden calentarse mucho. Retire cualquier objeto del horno con precaución. Utilice paños gruesos o manoplas para EVITAR QUEMARSE.

Recalentar

La función de recalentar se utiliza principalmente para facilitar el calentamiento de los alimentos según su peso; mantenga pulsado el botón Reheat y seleccione el peso (200 g, 400 g, 600 g, 800 g y 1000 g). Después de introducir el tiempo de cocción, pulse el botón "START/+30s" para empezar a utilizar el microondas. Un zumbido le avisará de que la operación ha finalizado.

Cocción expés

1. En el modo de espera, puede pulsar directamente los botones 1 a 6 para poner en marcha el horno microondas. El tiempo de preparación es de 1 a 6 minutos; por lo tanto, pulse 1 para que el horno funcione durante 1 minuto, pulse 2 para 2 minutos, etc. Después de introducir el tiempo de cocción, pulse el botón "START/+30s" para empezar a utilizar el microondas. Un zumbido le avisará de que la operación ha finalizado.
2. En el modo de espera, después de colocar los alimentos en el interior y cerrar la puerta, pulse el botón "START/+30s" para poner en marcha el microondas inmediatamente. El tiempo de trabajo por defecto es de 30 segundos. Durante el proceso de trabajo, pulse una vez el botón "START/+30s" durante 30 segundos. Un zumbido le avisará de que la operación ha finalizado.

Funcionamiento del panel de control

0/Clock

La función de reloj y el botón "0" se combinan en un solo botón. El reloj funciona según el sistema de 24 horas. La función de reloj funciona de la siguiente manera:

En el modo de espera, mantenga pulsado el botón "0/Clock" durante más de 3 segundos para entrar en la interfaz de ajuste del reloj, pulse los botones 0~9 para ajustar directamente la hora del reloj y pulse el botón "START/+30s" para confirmar la hora ajustada y salir al mismo tiempo del modo de ajuste del reloj.

STOP

En el modo de cocción, pulse el botón "STOP" para cancelar el ajuste y volver al modo de espera. En el modo microondas, pulse el botón "STOP" para hacer una pausa. En el modo de espera, pulse de nuevo el botón "STOP" para cancelar la función y volver al modo de espera.

START/+30s

Después de ajustar el tiempo de cocción o el peso, pulse el botón "START/+30s" para poner en marcha el horno microondas inmediatamente. Cuando el aparato esté funcionando, pulse el botón "START/+30s" para aumentar el tiempo de cocción; púselo una vez para aumentar el tiempo en 30 segundos; el tiempo no se puede ajustar en el modo menú ni en el modo descongelación por peso. En el modo de pausa, pulse el botón "START/+30s" para continuar con el microondas antes de cocinar.

Función de bloqueo para niños

Utilice esta función para bloquear el panel de control cuando esté limpiando o para evitar el uso del horno por niños sin supervisión. En este modo no hay ningún botón activo.

1. Fija la cerradura: Mantenga pulsado el botón STOP durante aprox. 3 segundos
2. Cancelar bloqueo: Mantenga pulsado el botón STOP durante aprox. 3 segundos

Guía de utensilios

Se recomienda encarecidamente utilizar recipientes adecuados y seguros para cocinar en microondas. En general, los recipientes de cerámica, vidrio o plástico resistentes al calor son adecuados para cocinar con microondas. No utilice nunca recipientes metálicos para la cocción en microondas y la cocción combinada, ya que es probable que aparezcan chispas. Consulte el cuadro de referencias que figura a continuación.

Material del envase	Microondas	Grill	Combinación	Notas
Cerámica resistente al calor	Sí	Sí	Sí	No utilice nunca cerámica decorada con un borde metálico o esmaltada
Plástico resistente al calor	Sí	No	No	No puede utilizarse para cocciones largas en microondas
Vidrio resistente al calor	Sí	Sí	Sí	
Película de plástico	Sí	No	No	No debe utilizarse para preparar carne, ya que una temperatura excesiva podría dañar la película.
Parrilla	No	Sí	Sí	La rejilla del grill puede utilizarse en el modo grill y en el modo combinado.
Contenedor metálico	No	No	No	No debe utilizarse en un horno microondas. Las microondas no pueden penetrar a través del metal.
Esmalte	No	No	No	Poca resistencia al calor. No se puede utilizar para cocinar a alta temperatura
Madera de bambú y papel	No	No	No	Poca resistencia al calor. No se puede utilizar para cocinar a alta temperatura

Consejos de cocina

Los siguientes factores pueden afectar a la cocción:

Disposición de la comida

Disponer las partes más gruesas hacia las extremidades del plato y las más finas en el centro; repartir uniformemente. En la medida de lo posible, evite solapamientos

Tiempo de cocción

Empiece a cocer programando un tiempo corto, compruebe los alimentos una vez transcurrido el tiempo y prolongue el tiempo según la necesidad. Si los alimentos se cuecen en exceso, pueden quemarse y generar humo.

Cocción uniforme de los alimentos

Los alimentos como el pollo, las hamburguesas o los filetes deben voltearse una vez durante el proceso de cocción. Dependiendo del tipo de alimento, remuévalo desde el exterior hacia el centro del plato una o dos veces durante el proceso de cocción.

Dejar reposar

Una vez transcurrido el tiempo de cocción, deje los alimentos en el horno durante cierto tiempo; de esta forma se completará el ciclo de cocción y los alimentos pueden enfriarse.

Comprobar si los alimentos están bien cocinados

Compruebe el color y la consistencia del alimento para saber si está listo. Compruebe si:

- Sale vapor por todo el plato, no solo por los bordes.
- Las articulaciones de las aves de corral pueden retirarse fácilmente.
- No hay restos de sangre en la carne de cerdo o de ave.
- El pescado está opaco y puede cortarse fácilmente con un tenedor-

Plato para dorar

Cuando utilice un plato para dorar o un recipiente autocalentable, coloque siempre debajo un aislante resistente al calor, como un plato de porcelana, para evitar dañar el plato giratorio y el anillo giratorio.

Envoltorio de plástico apto para microondas

Cuando cocine alimentos con mucha grasa, no permita que el envoltorio de plástico entre en contacto con los alimentos, ya que podría derretirse.

Batería de plástico apta para microondas

Algunos utensilios de plástico aptos para microondas pueden no ser adecuados para preparar alimentos con alto contenido en grasas y azúcares. Además, no debe superarse el tiempo de precalentamiento especificado en el manual de instrucciones del plato.

Mantenimiento

Asistencia

Antes de ponerse en contacto con el servicio de asistencia técnica, compruebe lo siguiente:

1. Coloque una taza de agua (aprox. 150 ml) en un recipiente de cristal dentro del horno y cierre bien la puerta. La luz interior debería apagarse si la puerta está bien cerrada. Encienda el horno durante un minuto.
2. ¿Funciona la lámpara del horno?
3. ¿Funciona el ventilador de refrigeración? (Coloque la mano sobre las aberturas de ventilación traseras).
4. ¿El plato giratorio gira? (El plato giratorio puede girar hacia la izquierda o hacia la derecha. Ambas direcciones son normales).
5. ¿Está caliente el agua del horno?
Si la respuesta a alguna de las preguntas anteriores es "NO", compruebe la toma de corriente y el fusible.
Si tanto la toma de corriente como el fusible funcionan correctamente, **PÓNGASE EN CONTACTO CON EL CENTRO DE SERVICIO TÉCNICO AUTORIZADO MÁS CERCANO.**

Garantías de servicio

ADVERTENCIA: RADIACIÓN DE MICROONDAS

1. El condensador de alta tensión permanece cargado después de desconectar el aparato; cortocircuite el terminal negativo del condensador de alta tensión con el chasis del horno (utilice un destornillador) para descargarlo antes de tocarlo.
2. Durante el mantenimiento, las piezas enumeradas a continuación pueden desmontarse y dar acceso a potenciales superiores a 250 V a tierra.
 - Magnetrón
 - Transformador de alta tensión
 - Condensador de alta tensión
 - Diodo de alta tensión
 - Fusible de alta tensión
3. Las siguientes condiciones pueden provocar una exposición indebida a las microondas durante el mantenimiento.
 - Montaje incorrecto del magnetrón.
 - Emparejamiento incorrecto del enclavamiento de la puerta, la bisagra de la puerta y la puerta.
 - Montaje incorrecto del soporte del interruptor.
 - La puerta, la junta de la puerta o la carcasa están dañadas.

Especificaciones

Modelo	FA202G/FA207G	FA252G/FA257G
Consumo de energía	230 V, 50 Hz, 1100 W	230 V, 50 Hz, 1320 W
Potencia de salida	700 W	850 W
Calentador del grill	800 W	1000 W
Frecuencia de funcionamiento	2450 MHz	
Dimensiones externas (ancho) x (alto) x (profundidad) mm	456 x 353 x 264	480 x 381 x 292,5
Capacidad del horno	20 L	25 L
Plataforma giratoria	255 mm	285 mm
Peso no creado	11.3 kg/11,5 kg	13,1 kg/13.6 kg

*Todos los dibujos son ilustrativos y pueden diferir del aspecto del aparato real.



Eliminación correcta de este producto

Este símbolo indica que, en la UE, este producto no debe eliminarse junto con otros residuos domésticos. Para evitar posibles daños al medio ambiente o a la salud humana debidos a la eliminación incontrolada de residuos, recíclelos de forma responsable para promover la reutilización sostenible de los recursos materiales. Para devolver su dispositivo usado, utilice los sistemas de devolución y recogida, o póngase en contacto con el minorista al que compró el producto. Pueden reciclar este producto de forma segura para el medio ambiente.

GARANTÍA

Usted ha comprado un electrodoméstico de gran calidad de la marca Daewoo. Su nuevo electrodoméstico ha sido fabricado con la mayor atención en una de las líneas de producción más grandes y modernas de Europa y ha pasado por múltiples controles de calidad.

En caso de avería, este electrodoméstico está cubierto por una amplia garantía y con una simple llamada se puede poner en contacto con la red oficial de Servicio Técnico. Durante el periodo de garantía que marca la Ley tras la fecha de compra (ticket de compra o factura imprescindibles), esta garantía cubre desplazamientos, mano de obra y piezas para la reparación del electrodoméstico, según las condiciones especificadas en este documento. En Daewoo queremos que esté satisfecho con su nuevo electrodoméstico. Para evitar que se produzcan daños al electrodoméstico, recomendamos leer detenidamente el manual de instrucciones y los consejos.

EXCLUSION DE GARANTÍA

- Averías producidas por golpe, caída o cualquier otra causa de fuerza mayor.
- Esmaltes, niquelados, cromados, oxidaciones u otros tipos de piezas que no afecten al funcionamiento interno del electrodoméstico (piezas o componentes estéticos).
- Desgastes por uso, corrosión y oxidación ya sea causada por el mal uso o desgaste del electrodoméstico o acelerados por circunstancias ambientales o climáticas no propicias, arena, polvo o notoriamente inapropiadas.
- Averías producidas como consecuencia de uso anormal, negligente o inadecuado del electrodoméstico o por cualquier tipo de origen externo.
- Responsabilidades civiles de cualquier naturaleza.
- Daños provocados en el electrodoméstico, siempre que estos no hayan sido motivados por una avería interna de funcionamiento.
- Mantenimiento o conservación del electrodoméstico: Limpieza de filtros, revisiones periódicas ajustes y engrases. Los costes originados por daños, defectos o averías producidas como consecuencia de la instalación incorrecta del equipo, arreglos, reparaciones, modificaciones, desarme de la instalación del electrodoméstico por un técnico no autorizado por Daewoo - SAT Oficial, o como resultado del incumplimiento manifiesto de las instrucciones de uso y mantenimiento del fabricante, así como ventilación inadecuada, modificaciones inapropiadas o utilización de piezas de recambio no originales.
- Las averías que tengan su origen o sean consecuencia directa o indirecta de fenómenos de la naturaleza o meteorológicos de carácter extraordinario o catastrófico (inundaciones, fenómenos o movimientos sísmicos, huracanes, tempestades).
- Equipos que se utilicen para uso industrial o fines comerciales.
- Electrodomésticos con factura ilegible o modificada.
- La garantía queda sin efecto, en caso de rechazo de reparación no cubiertos por garantía durante el periodo de esta o por falta de pago al Servicio técnico.

Medidas de Segurança Importantes

AVISO: Caso a porta ou as vedações da porta estejam danificados, o forno não deve ser usado até ter sido reparado por uma pessoa devidamente formada.

AVISO: É perigoso para alguém que não seja uma pessoa devidamente formada desempenhar quaisquer reparações ou manutenção que impliquem a remoção de qualquer cobertura que proteja da exposição à energia de micro-ondas.

AVISO: Os líquidos ou outros alimentos não devem ser aquecidos em recipientes vedados, pois podem explodir.

1. Use apenas utensílios adequados para usar em fornos micro-ondas.
2. Recipientes metálicos de alimentos e bebidas não podem ser usados num forno micro-ondas.
3. Quando aquecer alimentos em recipientes plásticos ou de papel, vigie o forno, pois estes podem pegar fogo.
4. O forno micro-ondas foi projetado para aquecer alimentos e bebidas. A secagem de alimentos ou vestuário e o aquecimento de almofadas, pantufas, esponjas, panos húmidos, etc., pode provocar lesões, ignição ou fogo.
5. Se aparecer fumo, desligue o eletrodoméstico ou retire a ficha da tomada e mantenha a porta fechada para abafar eventuais chamas.
6. O aquecimento por micro-ondas de bebidas pode provocar uma ebulição eruptiva tardia. Deve ter-se cuidado ao manejar o recipiente.
7. O conteúdo de biberons e boidões com comida para bebés deve ser mexido ou agitado e deve verificar-se a temperatura antes de consumir, para evitar queimaduras.
8. Ovos com casca e ovos cozidos não devem ser aquecidos em fornos micro-ondas, pois podem explodir, mesmo depois do aquecimento por micro-ondas ter parado.
9. Fure os alimentos de casca dura, como batatas, courgetes, maçãs e castanhas antes de cozinhar.
10. Os utensílios de cozinha podem tornar-se quentes devido ao calor emitido pelos alimentos aquecidos. Pode ser necessário usar luvas para o forno para manejar os utensílios e remover os alimentos aquecidos.
11. Verifique que os utensílios de cozinha são adequados para usar num forno micro-ondas.
12. Use o eletrodoméstico apenas para os efeitos descritos neste manual. Não use produtos químicos corrosivos ou vapores neste eletrodoméstico. Este eletrodoméstico foi projetado para utilização doméstica ou semelhante em ambiente interior, como para aquecer, descongelar e cozinhar a vapor alimentos e bebidas.
13. Use este dispositivo num local seco e a uma altitude inferior a 2000 metros acima do nível do mar.
14. Se o forno não for mantido limpo, a superfície pode ser danificada, o que poderá afetar de forma adversa a vida útil do eletrodoméstico e provocar eventuais riscos.
15. O eletrodoméstico não deve ser colocado dentro de um recipiente.

16. Deve ter-se cuidado para não deslocar o prato giratório ao remover recipientes do eletrodoméstico.
17. O eletrodoméstico não deve ser limpo com um dispositivo de limpeza a vapor.
18. O eletrodoméstico tem de ser instalado a uma altura de 850 mm ou mais acima do chão. A quantidade mínima de espaço livre necessário acima da parte de cima do forno é de 200 mm.

AVISO: Quando o eletrodoméstico for usado no modo combinado, a crianças só devem usá-lo sob a supervisão de um adulto, dada a alta temperatura gerada.



CUIDADO: SUPERFÍCIES QUENTES

19. Se o cabo de alimentação estiver danificado, deve ser substituído pelo produtor, pela assistência técnica ou pessoal igualmente qualificado, de modo a evitar quaisquer riscos.
20. Este eletrodoméstico pode ser usado por crianças a partir dos 8 anos de idade e pessoas com capacidades físicas, sensoriais ou mentais reduzidas, ou falta de experiência e conhecimentos, caso tenham recebido supervisão ou instruções relativas ao uso do eletrodoméstico de um modo seguro e estejam conscientes dos perigos envolvidos.
21. As crianças não devem brincar com o eletrodoméstico.
22. A limpeza e manutenção não devem ser feitos por crianças, a menos que tenham mais de 8 anos e estejam a ser supervisionados.
23. Mantenha o eletrodoméstico e o cabo fora do alcance de crianças com menos de 8 anos.
24. Não ponha o prato de vidro em água fria imediatamente após o uso. Para evitar partir-se, o prato de vidro precisa de ser deixado arrefecer pelo menos 20 minutos e depois posto em água.
25. Este eletrodoméstico foi projetado para ser usado em ambiente doméstico e semelhantes, por ex.:
 - zonas de cozinha de pessoal em lojas, escritórios e outros ambientes de trabalho,
 - quintas,
 - por clientes de hotéis, motéis e outras unidades de alojamento,
 - por clientes de pousadas.
26. O eletrodoméstico não se destina a funcionar através de um temporizador externo ou de um sistema de controle remoto.
27. Eletrodoméstico de Grupo 2 Classe B equipamento ISM de Grupo 2: o grupo 2 inclui todo o equipamento ISM em que a energia de radiofrequência é intencionalmente gerada e/ou usada em forma de radiação eletromagnética para o tratamento de material, e EDM e equipamento de soldadura por arco.

O equipamento de Classe B é adequado para a utilização em ambientes domésticos e ambientes diretamente ligados a uma rede de fornecimento de energia de baixa tensão, que fornece edifícios residenciais.
28. Este produto tem uma fonte de luz LED interior de < 60 lm.

29. “Para estar em conformidade com a norma EN 61000-3-11, o produto tem de estar ligado a uma alimentação do sistema de impedância de: $|Z_{sys}| = 0,40089$ ohms ou inferior. Antes de ligar o produto a qualquer rede pública, consulte a sua autoridade local de fornecimento de energia para se certificar que a rede energética cumpre os requisitos acima”.
30. O forno deve ser limpo com regularidade e devem ser removidos quaisquer resíduos de alimentos.
31. A falta de limpeza do forno pode provocar deterioração da superfície, o que, por sua vez, pode afetar negativamente a vida útil do eletrodoméstico e provocar eventuais danos.
32. O eletrodoméstico não deve ser colocado dentro de um armário. O forno micro-ondas foi projetado para ser usado como dispositivo de posição livre.

Limpeza

Cuidados com o forno micro-ondas



AVISO:

O forno deve ser limpo com regularidade e devem ser removidos quaisquer resíduos de alimentos.



AVISO:

- a. Retire o cabo de alimentação da tomada da parede antes de limpar e assim que os produtos estejam arrefecidos. Não submerja o eletrodoméstico em água ou outros líquidos durante a limpeza.
- b. A falta de limpeza do forno pode provocar deterioração da superfície, o que, por sua vez, pode afetar negativamente a vida útil do eletrodoméstico e provocar eventuais danos.
- c. Nunca use detergentes ásperos, gasolina, nem abrasivos naturais ou esfregões metálicos para limpar nenhuma parte do eletrodoméstico.
- d. Não retire a capa da guia de ondas.
- e. Quando o forno micro-ondas for usado durante um período prolongado, podem sentir-se cheiros estranhos. Estes podem ser eliminados de três maneiras:
 - 1) Coloque várias fatias de limão numa taça e aqueça-as com a potência das micro-ondas durante 2-3 min.
 - 2) Coloque uma taça de chá vermelho dentro do forno e aqueça com a potência máxima.
 - 3) Coloque casca de laranja dentro do forno e aqueça com uma potência alta de micro-ondas durante 1 minutos.
- f. Quando o produto não for usado, deve ser deixado num espaço seco e ventilado.

**AVISO:**

Limpeza das superfícies que entram em contacto com os alimentos:

Depois de usar, limpe a capa da guia de ondas com um pano húmido, seguido de um pano seco para remover quaisquer salpicos de alimentos e gordura. Qualquer gordura acumulada pode sobreaquecer e, como consequência, provocar fumo ou fogo.

Limpeza

Dicas de limpeza

Pormenores para limpar as vedações da porta, o interior e peças adjacentes:

Exterior: Limpe a porta com um pano húmido macio.

Porta: Limpe a porta e a janela com um pano húmido macio.

Limpe as vedações da porta e peças adjacentes de quaisquer derrames ou salpicos.

Limpe o painel de controlo com um pano ligeiramente húmido e macio.

Paredes interiores: Limpe as superfícies interiores com um pano húmido macio.

Limpe a capa da guia de ondas com um pano para remover eventuais salpicos de alimentos.

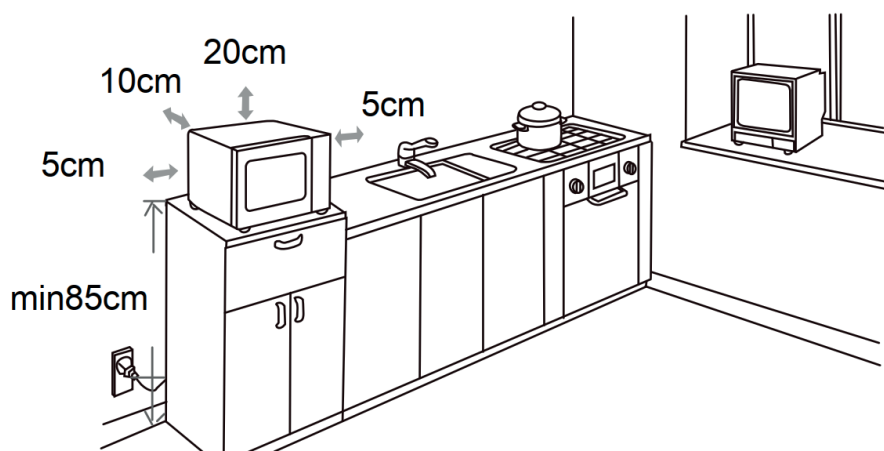
Prato giratório / Anel de rotação / Eixo de rotação:

Lave com água com uma pequena quantidade de sabão.

Enxague com água limpa e deixe secar exaustivamente.

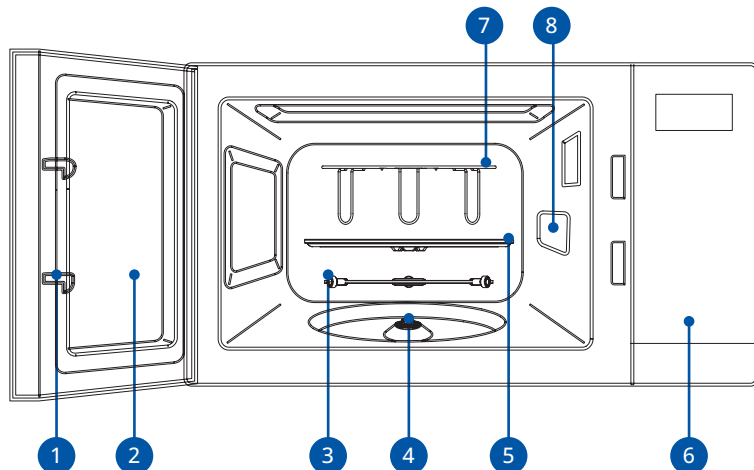
Instalação

1. Remova o forno da embalagem. Se o forno estiver tapado por película de proteção, remova-a antes de usar. Verifique cuidadosamente se há danos. Se encontrar danos, notifique imediatamente o vendedor ou envie o dispositivo para o centro de assistência técnica do produtor.
2. Os fornos micro-ondas devem ser mantidos em ambientes secos e não corrosivos, longe de calor e humidade, como queimadores de gás ou depósitos de água.
3. Para garantir uma ventilação suficiente, a distância entre a parte de trás do micro-ondas e a parede deve ser de, pelo menos, 10 cm, entre o lado e a parede pelo menos 5 cm e deve haver mais de 20 cm de espaço acima da superfície do topo. A distância entre o micro-ondas e o chão deve ser de, pelo menos, 85 cm.



4. O forno deve ser instalado longe de um televisor, rádio ou qualquer antena, pois a imagem pode ser perturbada e pode ocorrer ruído. A distância entre estes dispositivos deve ser de mais de 5 m.
5. O eletrodoméstico tem de ser colocado de modo a que a ficha esteja acessível e tem de ser garantida uma boa ligação à terra, para o caso de haver fugas. Pode formar-se um circuito de terra de modo a evitar um choque elétrico.
6. O forno micro-ondas tem de ser usado com a porta fechada.
7. O eletrodoméstico não deve ser colocado dentro de um armário. O forno micro-ondas foi projetado para ser usado como dispositivo de posição livre.
8. Como há resíduos ou óleo do produtor dentro da cavidade do forno ou nos elementos de aquecimento, o dispositivo pode gerar cheiro e até algum fumo. Isto é normal e deixará de acontecer ao fim de várias utilizações, mas a porta ou janelas devem permanecer abertas para garantir uma ventilação adequada. Recomenda-se a colocação de uma taça com água no interior, definir o forno com alta potência e ligá-lo várias vezes.

Descrição do produto



1. Fecho da porta

A porta do forno tem de estar devidamente fechada para o eletrodoméstico funcionar.

2. Janela de visualização

Permite ao utilizador controlar o processo de cozedura.

3. Anel de rotação

O prato giratório de vidro está apoiado em rodas; estas apoiam o prato giratório e ajudam-no a equilibrar-se quando gira.

4. Eixo de rotação

O prato giratório está apoiado num eixo; o motor por baixo deste faz girar o prato giratório.

5. Prato giratório

Os alimentos são colocados no prato giratório, a sua rotação durante o funcionamento garante que estes são cozinhados uniformemente.

CUIDADO:

Coloque o anel de rotação. Encaixe o prato giratório no eixo de rotação e certifique-se de que está devidamente encaixado.

6. Painel de controlo

Ver os detalhes em baixo (o painel de controlo está sujeito a alterações sem aviso prévio).

7. Grelha do grill

Usada para tostar alimentos. Não pode ser usada no modo de micro-ondas e tem de ser colocada no prato giratório.

8. Capa da guia de ondas

Situa-se dentro do forno micro-ondas, ao lado da parede do painel de controlo.

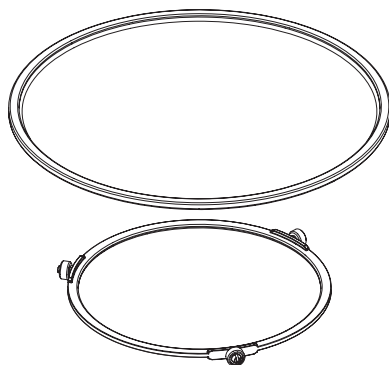
AVISO:

Nunca remova a capa da guia de ondas.

Acessórios

Kit do prato giratório

Tabuleiro de cozedura de vidro e guia de rolamento

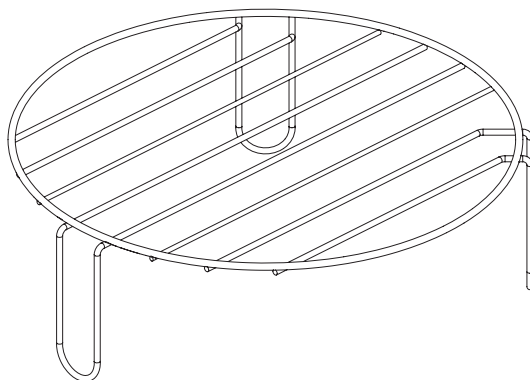


AVISO:

Use sempre o kit do prato giratório para preparar alimentos no eletrodoméstico.

Grelha do grill

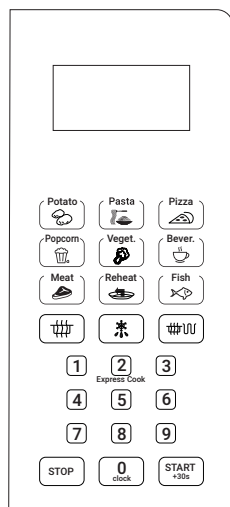
Para grelhar alimentos e cozedura combinada.



AVISO:

A grelha de arame do grill não foi projetada para ser usada no modo de micro-ondas. Apenas pode ser usada nos modos de cozedura do grill e combinado (este inclui pequenas emissões de micro-ondas, que são aceitáveis). A utilização desta grelha de arame do grill no modo de micro-ondas pode provocar danos no eletrodoméstico.

Utilização do painel de controlo



Antes de cozinhar

O mostrador acende-se quando for ligado à alimentação. Quando estiver no modo de espera (standby), o mostrador apresenta a indicação 1:00.

Função do micro-ondas

Há dez níveis de potência do micro-ondas, 100P, 90P, 80P, 70P, 60P, 50P, 40P, 30P, 20P e 10P respetivamente. Carregue continuamente no botão e selecione a potência desejada do micro-ondas.

Carregue nos botões com números 0~9 para definir a duração da cozedura. O tempo máximo é 99:99. Depois de introduzir a duração da cozedura, carregue no botão "START/+30s" para começar a funcionar..

Um som de aviso irá indicar-lhe que o funcionamento acabou.


ALTO	100% e 90% de potência de saída	Tempo de descongelar (para uma cozedura rápida e profunda)
Méd Alto	80% e 70% de potência de saída	(Para uma cozedura média muito rápida)
Méd	60% e 50% de potência de saída	(Para cozinhar a vapor)
Méd Baixo	40% e 30% de potência de saída	(Para descongelar alimentos)
Baixo	20% e 10% de potência de saída	(Para manter os alimentos quentes)

CUIDADO

- A duração máxima que pode ser definida é de 99 minutos e 99 segundos.
- Nunca use a grelha do grill no modo de micro-ondas.
- Nunca ligue o forno com ele vazio.
- Com a potência máxima do micro-ondas, o forno irá automaticamente reduzir a potência ao fim de um determinado tempo para proteger o eletrodoméstico e prolongar a vida útil.
- Se virar os alimentos durante o funcionamento, carregue uma vez no botão Start/+30s e o processo de cozedura predefinido irá continuar.
- Se quiser remover os alimentos antes de terminar a duração predefinida, tem de carregar uma vez no botão Stop para apagar o procedimento predefinido e evitar quaisquer utilizações acidentais durante a próxima utilização do eletrodoméstico.

Utilização do painel de controlo

Descongelar

Há dois modos de descongelar, dEF1 e dEF2. dEF1 usa-se para descongelar por peso e dEF2 usa-se para descongelar por tempo. Carregue no botão  para selecionar descongelar por peso ou por tempo e o mostrador apresentará a indicação “dEF1” ou “dEF2”. Carregue nos botões 0~9 para definir o peso dos alimentos ou a duração do descongelar. O alcance de peso do dEF1 é entre 100 e 1500 g e a duração máxima no dEF2 é 99:99. Depois de introduzir o número, carregue no botão “START/+30s” para iniciar o processo. Um som de aviso irá indicar-lhe que o funcionamento acabou. O som de aviso durante o descongelar dEF1 por peso irá indicar-lhe que os alimentos precisam de ser virados durante o processo.

Exemplos de duração de descongelar dos alimentos:

dEF1	Para descongelar, o alcance de peso é entre 100 e 1,500 g.
dEF2	Para descongelar, a duração máxima é de 99:99.



CAUIDADO

- É necessário virar os alimentos durante o funcionamento para certificar-se de que são descongelados uniformemente.
- Descongelar normalmente exige mais tempo do que cozinhar.
- Se os alimentos podem ser cortados com uma faca, o processo de descongelar foi terminado.
- As micro-ondas penetram nos alimentos a uma profundidade de cerca de 4 cm.
- O alimento descongelado deve ser consumido o mais depressa possível. Não é recomendado voltar a colocá-lo no frigorífico e congelá-lo novamente.

Cozedura automática


Há oito definições automáticas: batatas, massa, pizza, pipocas, legumes, bebidas, carne e peixe. Selecione o botão do menu automático desejado e carregue no botão do menu correspondente de forma contínua para selecionar o peso desejado dos alimentos. Será apresentado o peso. Carregue no botão “START/+30s” para iniciar o processo. Um som de aviso irá indicar-lhe que o funcionamento acabou.

Mostrador	Tipo	Método
A.1	Batatas	Pesos opcionais: 250 g, 500 g e 750 g.
A.2	Massa	Pesos opcionais: 50 g, 100 g e 150 g.
A.3	Pizza	Pesos opcionais: 200 g e 400 g.
A.4	Pipocas	Peso opcional: 100 g.
A.5	Legumes	Pesos opcionais: 200 g, 400 g e 600 g.
A.6	Bebidas	Pesos opcionais: 1 copo, 2 copos ou 3 copos, cada com cerca de 250 ml.
A.7	Carne	Pesos opcionais: 200 g, 400 g e 600 g.
A.8	Peixe	Pesos opcionais: 200 g, 400 g e 600 g.

CUIDADO

- a. A temperatura dos alimentos antes de cozinhar é de 20-25 °C. Temperaturas superiores ou inferiores dos alimentos exigem tempos de cozedura maiores ou mais curtos respetivamente.
- b. A temperatura, peso e forma dos alimentos afeta o processo de cozedura. Se for encontrado algum desvio ao fator indicado no menu acima, pode ajustar a duração da cozedura para obter melhores resultados.

Grelhar

Há três modos de grelhar: G, C-1 e C-2. Estes são: grill, combinado 1 com grill e cozedura de micro-ondas e combinado 2 com grill e cozedura de micro-ondas. Carregue várias vezes no botão , selecione o modo desejado e carregue nos botões com os números 0~9 para definir a duração da cozedura. O tempo máximo é 99:99. Depois de introduzir a duração da cozedura, carregue no botão "START/+30s" para começar a funcionar. Um som de aviso irá indicar-lhe que o funcionamento acabou.

G.	Grill, o elemento de aquecimento será energizado durante o funcionamento. Pode ser usado para fatias finas de carne, salsichas e asas de frango, pois o grelhador irá tostá-los.
C-1	Combinação de grelhar e cozedura com micro-ondas: 30% de micro-ondas e 70% de grill.
C-2	Combinação de grelhar e cozedura com micro-ondas: 55% de micro-ondas e 45% de grill.

CUIDADO

No modo de grill, todas as peças do forno, incluindo a grelha e os recipientes de cozedura, podem ficar muito quentes. Remova quaisquer itens do forno com cuidado. Use pegas ou luvas de forno grossas para EVITAR QUEIMAR-SE.

Reaquecimento

A função de reaquecimento é usada sobretudo para facilitar o aquecimento de alimentos em função do peso. Carregue de forma contínua no botão de "reaquecer", selecione o peso (200 g, 400 g, 600 g, 800 g e 1000 g). Depois de introduzir a duração da cozedura, carregue no botão "START/+30s" para começar a funcionar. Um som de aviso irá indicar-lhe que o funcionamento acabou.

Cozedura muito rápida

1. No modo de espera (standby), pode carregar diretamente nos botões 1~6 para iniciar o forno micro-ondas. A duração do funcionamento é de 1~6 minutos, por isso carregue em 1 para o forno funcionar durante 1 minuto, carregue em 2 para 2 minutos, etc. Depois de introduzir a duração da cozedura, carregue no botão "START/+30s" para começar a funcionar. Um som de aviso irá indicar-lhe que o funcionamento acabou.
2. No modo de espera (standby), depois de colocar os alimentos no interior e fechar a porta, carregue no botão "START/+30s" para iniciar imediatamente o micro-ondas. A duração predefinida da cozedura é 30 segundos. Durante o processo de funcionamento, carregue uma vez no botão "START/+30s" para 30 segundos. Um som de aviso irá indicar-lhe que o funcionamento acabou.

Utilização do painel de controlo

0/Clock

A função de relógio e o botão "0" encontram-se combinados num só botão. O relógio funciona com o sistema de 24 horas. O relógio funciona da seguinte maneira:

No modo de espera (standby), carregue e mantenha o botão "0/Clock" mais de 3 segundos para entrar no interface das definições do relógio. Carregue nos botões 0~9 para acertar a hora diretamente e carregue no botão "START/+30s" para confirmar a hora definida e, ao mesmo tempo, sair do modo com as definições do relógio.

STOP

No modo de cozedura, carregue no botão "STOP" para cancelar a definição e voltar ao modo de espera (standby). No modo de micro-ondas, carregue no botão "STOP" para fazer uma pausa. No modo de espera (standby), carregue novamente no botão "STOP" para cancelar a função e voltar ao modo de espera (standby).

START/+30s

Depois de definir a duração da cozedura ou o peso, carregue no botão "START/+30s" para iniciar imediatamente o forno micro-ondas. Quando o eletrodoméstico estiver em funcionamento, carregue no botão "START/+30s" para aumentar a duração da cozedura. Carregue uma vez para aumentar a duração em 30 segundos. A duração não pode ser ajustada no modo de menu e no modo de descongelar por peso. No modo de pausa, carregue no botão "START/+30s" para continuar a usar micro-ondas antes de cozinhar.

Função de bloqueio de crianças

Use esta função para bloquear o painel de controlo quando estiver a limpar ou para evitar a utilização do forno por crianças não supervisionadas. Neste modo nenhum botão está ativo.

1. Definir o bloqueio: Carregue e mantenha o botão STOP durante cerca de 3 segundos
2. Cancelar o bloqueio: Carregue e mantenha o botão STOP durante cerca de 3 segundos

Linhas de orientação dos utensílios

Recomenda-se a utilização de recipientes adequados e seguros para cozinhar no micro-ondas. Regra geral, os recipientes feitos de cerâmica, vidro ou plástico resistentes ao calor são adequados para cozinhar no micro-ondas. Nunca use recipientes metálicos para cozinhar no micro-ondas e na cozedura combinada, pois podem surgir faíscas. Veja a tabela de referência em baixo.

Material do recipiente	Micro-ondas	Grill	Combinação	Notas
Cerâmica resistente ao calor	Sim	Sim	Sim	Nunca use cerâmica decorada com aros metálicos ou vitrificada
Plástico resistente ao calor	Sim	Não	Não	Não pode ser usado para cozinhar muito tempo com micro-ondas
Vidro resistente ao calor	Sim	Sim	Sim	
Película aderente	Sim	Não	Não	Não deve ser usada quando cozinhar carne, pois a temperatura excessiva pode danificar a película
Grelha do grill	Não	Sim	Sim	A grelha do grill pode ser usada no modo de grill e no modo combinado.
Recipiente metálico	Não	Não	Não	Não deve ser usado num forno micro-ondas. As micro-ondas não conseguem passar através do metal.
Esmalte	Não	Não	Não	Pouco resistente ao calor Não pode ser usado para cozinhar a altas temperaturas
Madeira de bambu e papel	Não	Não	Não	Pouco resistente ao calor Não pode ser usado para cozinhar a altas temperaturas

Dicas de cozedura

Os seguintes fatores podem afetar a cozedura:

Posição dos alimentos

Coloque as partes mais espessas viradas para as extremidades e as partes mais finas para o centro. Espalhe uniformemente. Na medida do possível, evite sobrepor

Tempo de cozedura

Comece a cozinhar definindo uma duração curta. Verifique os alimentos ao fim desse tempo e prolongue de acordo com o necessário. Quando os alimentos estiverem excessivamente cozinhados, podem queimar e provocar fumo.

Cozinhar uniformemente

Alimentos como frango, hambúrgueres ou bifes devem ser virados uma vez durante o processo de cozedura. Dependendo do tipo de alimentos, mexa-os de fora para dentro do recipiente uma ou duas vezes durante o processo de cozedura.

Deixe repousar

Quando acabar a duração da cozedura, deixe os alimentos no forno durante um bocado. Deste modo, o ciclo de cozedura fica concluído e os alimentos podem arrefecer.

Verificar se os alimentos estão devidamente cozinhados

Verifique a cor e a consistência dos alimentos para definir se estão prontos. Verifique se:

- Está a sair vapor do prato todo, não só das pontas.
- As peças de frango podem ser facilmente removidas.
- Não há vestígios de sangue na carne de porco ou aves.
- O peixe está opaco e pode ser facilmente fatiado com um garfo.

Travessa

Quando usar uma travessa ou um recipiente que aqueça sozinho, coloque sempre um isolante resistente ao calor, como um prato de porcelana, por baixo para evitar danos no prato giratório e no anel de rotação.

Película aderente própria para o micro-ondas

Quando cozinhar alimentos muito gordos, não permita que a película aderente entre em contacto com os alimentos, pois pode derreter.

Loiça de plástico própria para o micro-ondas

Alguna loiça de plástico própria para o micro-ondas pode não ser adequada para cozinhar alimentos muito gordos ou com muito açúcar. Além disso, a duração do pré-aquecimento especificada no manual de instruções da loiça não pode ser ultrapassada.

Manutenção

Assistência técnica

Verifique o seguinte antes de entrar em contacto com o departamento de assistência técnica:

1. Coloque um copo de água (cerca de 150 ml) num recipiente de vidro dentro do forno e feche a porta com segurança. A luz no interior deve desligar-se quando a porta é devidamente fechada. Ligue o forno durante 1 minuto.
2. A lâmpada do forno funciona?
3. A ventoinha de arrefecimento funciona? (Coloque a mão sobre as aberturas de ventilação traseiras.)
4. O prato giratório gira? (O prato giratório pode girar no sentido dos ponteiros do relógio e no sentido contrário. Ambas as direções são normais.)
5. A água dentro do forno está quente?

Se a resposta a alguma das perguntas acima for "NÃO", verifique a tomada da parede e o fusível.

Se a tomada da parede e o fusível estiverem a funcionar devidamente, CONTACTE O CENTRO DE ASSISTÊNCIA TÉCNICA AUTORIZADO MAIS PERTO DE SI

Medidas de proteção de reparação

AVISO: RADIAÇÃO DAS MICRO-ONDAS:

1. O condensador de alta voltagem permanece carregado depois do eletrodoméstico ser desligado; corte o circuito do terminal negativo do condensador de alta tensão para a estrutura do forno (use uma chave de parafusos) para descarregar antes de tocar.
2. Durante a reparação as peças indicadas em baixo podem ser removidas e dar acesso a potenciais acima de 250 V à terra.
 - Magnetrão
 - Transformador de alta tensão
 - Condensador de alta tensão
 - Díodo de alta tensão
 - Fusível de alta tensão
3. As seguintes situações podem provocar exposição indevida a micro-ondas durante a reparação.
 - Encaixe inadequado do magnetrão.
 - Correspondência inadequada do engate da porta, da dobradiça da porta e da porta.
 - Encaixe inadequado do suporte do interruptor.
 - Danos na porta, nas vedações da porta ou no compartimento.

Especificações

Modelo	FA202G/FA207G	FA252G/FA257G
Consumo energético	230 V, 50 Hz, 1100 W	230 V, 50 Hz, 1320 W
Potência de saída	700 W	850 W
Elemento aquecedor do grill	800 W	1000 W
Frequência de funcionamento	2450 MHz	
Dimensões exteriores (L) x (A) x (P)	456 x 353 x 264	480 x 381 x 292,5
Capacidade do forno	20 L	25 L
Prato giratório	255 mm	285 mm
Peso não criado	11,3 kg/11,5 kg	13,1 kg/13,6 kg

*Todos os desenhos são ilustrativos; podem diferir do aspeto atual do dispositivo.



Eliminação correta deste produto

Este símbolo indica que na UE este produto não deve ser eliminado juntamente com outro lixo doméstico. Para evitar eventuais danos ao meio ambiente e à saúde humana devido à eliminação de resíduos não controlada, recicle-o de forma responsável para promover a reutilização sustentável dos recursos materiais. Para devolver o seu dispositivo usado, use os sistemas de devolução e recolha ou contacte o revendedor a quem comprou o produto. Estes podem reciclar o produto de modo seguro para o meio ambiente.

GARANTIA

Acaba de comprar um aparelho de grande qualidade da marca Daewoo. O seu novo aparelho foi fabricado com a maior atenção numa das maiores e mais modernas linhas de produção da Europa e passou múltiplos controlos de qualidade.

Em caso de avaria, este aparelho está coberto por uma ampla garantia e com um simples telefonema pode pôr-se em contacto com a rede oficial de assistência técnica.

Durante o período de garantia de acordo com a lei após a data de compra (recibo de compra ou fatura essencial), esta garantia cobre viagens, mão de obra e peças para a reparação do dispositivo, de acordo com as condições especificadas neste documento.

Em Daewoo queremos que esteja satisfeito com o seu novo electrodoméstico. Para evitar que se produzam danos no aparelho recomendamos ler atentamente o manual de instruções e os conselhos para uma correcta instalação e funcionamento.

EXCLUSÃO DE GARANTIA

- Avarias produzidas por golpe, queda ou por outras causas de força maior.
- Esmaltes, niquelados, cromados, oxidações ou outro tipo de peças que não afectem o funcionamento interno do aparelho (peças ou componentes estéticos).
- Desgastes por uso, corrosão e oxidação causada pelo uso incorrecto ou pelo desgaste do aparelho ou acelera-das por circunstâncias ambientais ou climáticas, areia, pó ou notoriamente inapropriadas.
 - Avarias causadas como consequência do uso anormal, negligente o inadequado do aparelho ou por qualquer tipo de origem externo
 - Responsabilidades civis de qualquer natureza.
 - Danos provocados no aparelho, sempre que estes não tenham sido causados por uma avaria interna de funcionamento.
 - Manutenção ou conservação do aparelho: limpeza de filtros, revisões periódicas, ajustes e lubrificação. Os custos originados por danos causados como consequência da incorrecta instalação do equipamento, reparações, modificações, modificação da instalação do aparelho por um técnico não autorizado por Daewoo - SAT Oficial ou como resultado do não cumprimento manifesto das instruções de uso e manutenção do fabricante assim como ventilação inadequada ou utilização de peças não originais.
 - As avarias que tenham a sua origem ou sejam consequência directa ou indirecta de fenómenos da natureza ou meteorológicos de carácter extraordinário ou catastrófico (inundações, fenómenos ou movimentos sísmicos, furacões, tempestades).
 - Equipamentos que se usem para fins industriais ou comerciais.
 - Aparelhos com factura ilegível ou modificada.
 - A garantia fica sem efeito, no caso de recusa de reparações não cobertas pela garantia durante o período da mesma ou por falta de pagamento ao serviço de assistência técnica.

Mesures de salvaguarda importants

ADVERTÈNCIA: Si la porta o les juntes d'estanquitat de la porta estan fetes malbé, no feu funcionar el forn fins que una persona qualificada l'hagi reparat.

ADVERTÈNCIA: És perillós per a qualsevol persona, excepte si és una persona qualificada per a fer tasques de servei o reparació que impliquin treure la tapa que protegeix de l'exposició a l'energia de les microones.

ADVERTÈNCIA: Els líquids o altres aliments no s'han d'escalfar en recipients hermètics ja que podrien explotar.

1. Feu servir només utensilis adequats per a microones.
2. Els recipients metàl·lics per aliments i begudes no són aptes per a fer servir en el microones.
3. Si escalfeu aliments en recipients de plàstic o paper, vigileu el microones ja que es podrien encendre.
4. El microones s'ha dissenyat per a escalfar aliments i begudes. L'assecat d'aliments o roba i l'escalfament de coixinets tèrmics, sabatilles, esponges, draps humits o altres productes semblants poden causar risc de lesions, ignició o foc.
5. Si observeu fum, apagueu o desendolieu l'aparell i mantingueu la porta tancada per tal de sufocar les flames que hi pugui haver.
6. L'escalfament de begudes pot provocar una ebullició eruptiva retardada i, per tant, s'ha de tenir en compte quan es manipula el recipient.
7. El contingut dels biberons i els pots de farinetes s'han de remenar o sacsejar, i se n'ha de comprovar la temperatura abans de consumir-ho, per tal d'evitar cremades.
8. No escalfeu ous amb closca ni ous durs sencers al microones ja que poden explotar encara que s'hagi acabat la cocció.
9. Punxeu aliments amb closca dura com ara patates, carbassons, pomes i castanyes abans de cuinar-los.
10. Els utensilis de cuina es poden escalfar degut a la calor que desprenen els aliments calents. Feu servir agafadors per a manipular els utensilis i treure els aliments calents.
11. Comproveu que els utensilis de cuina són adequats per a fer servir al microones.
12. Feu servir l'aparell només per a les finalitats descrites en aquest manual. No feu servir vapors ni substàncies corrosives en aquest aparell. Aquest aparell s'ha dissenyat per aplicacions domèstiques o interiors similars com ara escalfar, descongelar, cuinar o cuinar al vapor aliments o begudes.
13. Feu servir aquest aparell en una ubicació seca i una alçada inferior a 2 000 metres per sobre del nivell del mar.
14. Si no manteniu el forn net, la superfície es pot fer malbé, la qual cosa pot afectar negativament la vida útil de l'aparell i ser causa de possibles perills.
15. L'aparell no s'ha de col·locar a dins d'un armari.
16. S'ha de tenir cura de no deixar el plat giratori mal col·locat en treure els recipients de l'aparell.

17. L'aparell no s'ha de netejar amb una netejadora de vapor.
18. L'aparell s'ha d'instal·lar a una alçada mínima de 850 mm del terra. L'espai mínim necessari per sobre de la superfície del forn és de 200 mm.

ADVERTÈNCIA: Quan l'aparell es fa servir en el mode combinat, degut a la temperatura alta que es genera, els menors només han de fer-lo servir si un adult els supervisa.



PRECAUCIÓ: SUPERFÍCIES CALENTES

19. Si el cable d'alimentació s'espatlla, per tal d'evitar qualsevol perill, només el fabricant, el seu servei tècnic o un professional qualificat el poden canviar.
20. Els nens a partir de 8 anys i les persones amb capacitats físiques, sensorials o mentals reduïdes, o que no tinguin l'experiència ni coneixement necessaris, poden fer servir aquest aparell si estan supervisats o han rebut instruccions relacionades amb l'ús de l'aparell i entenen els perills que implica.
21. Els menors no han de jugar amb l'aparell.
22. Els nens majors de 8 només poden fer la neteja i el manteniment d'usuari si estan supervisats.
23. Mantingueu l'aparell i el cable d'alimentació fora de l'abast dels menors de 8 anys.
24. No col·loqueu el plat de vidre en aigua freda directament després de fer-lo servir. Per tal d'evitar que es trenqui, el plat de vidre s'ha de deixar refredar un mínim de 20 minuts abans de posar-lo en aigua.
25. Aquest aparell s'ha dissenyat per a ús domèstic i instal·lacions similars com, per exemple:
 - zones de cuina per al personal de botigues, oficines i altres entorns de treball,
 - granges,
 - pels clients d'hotels, motels i altres tipus d'allotjament,
 - pels clients d'allotjaments rurals.
26. Aquest aparell no s'ha dissenyat per a fer servir amb un temporitzador extern ni amb un sistema de control remot.
27. Aparell de classe B, grup 2
Equipament ISM del grup 2: el grup 2 inclou tots els equips ISM en els quals l'energia de radiofreqüència es genera i/o es fa servir en forma de radiació electromagnètica pel tractament del material i equips per electroerosió i soldadura per arc.

Els equips de classe B són adequats per a ús en instal·lacions domèstiques i instal·lacions directament connectades a una xarxa elèctrica de baixa tensió que subministra directament a edificis residencials.
28. Aquest producte té una font de llum LED interna de < 60 lm.

29. "Per tal de complir amb la norma EN 61000-3-11, el producte s'ha de connectar a una font d'impedància de $|Z_{sys}| = 0,40089$ ohms o menys. Abans de connectar el producte a qualsevol xarxa elèctrica pública, consulteu amb la companyia energètica local per a garantir que compleix amb els requisits citats".
30. El forn s'ha de netejar periòdicament i s'han de treure totes les restes d'aliments.
31. El fet de no mantenir el forn net podria provocar un deteriorament de la superfície que podria afectar negativament la vida útil de l'aparell i possiblement causar a una situació de perill.
32. El microones no s'ha de col·locar a dins d'un armari. El microones s'ha dissenyat per a fer servir com aparell independent.

Neteja

Manteniment del microones



ADVERTÈNCIA:

El forn s'ha de netejar periòdicament i s'han de treure totes les restes d'aliments.



ADVERTÈNCIA:

- Desendollegeu el cable abans de fer qualsevol tasca de neteja i quan el producte s'hagi refredat. No submergeu l'aparell en aigua o altres líquids mentre el netegeu.
- El fet de no mantenir el forn net podria provocar un deteriorament de la superfície que podria afectar negativament la vida útil de l'aparell i possiblement causar a una situació de perill.
- Mai fer servir detergents forts, gasolina, productes abrasius en pols o raspalls metàl·lics per a netejar l'aparell.
- No traieu la tapa de la guia d'ones.
- Si el microones no s'ha utilitzat des de fa molt temps, podeu notar alguna olor poc usual; la podeu eliminar de tres maneres:
 - 1) Col·loqueu unes quantes rodanxes de llimona en una tassa i escalfeu-les a la potència alta del microones durant 2-3 minuts.
 - 2) Col·loqueu una tassa de te vermell a dins del forn i escalfeu-lo a potència alta.
 - 3) Col·loqueu una mica de pell de taronja a dins del forn i escalfeu-la a la potència màxima durant 1 minut.
- Si no heu de fer servir el producte, guardeu-lo en un lloc sec i ben ventilat.

ADVERTÈNCIA:

Netegeu les superfícies que estan en contacte amb els aliments:

Després de fer-lo servir, netegeu la tapa de la guia d'ones amb un drap humit i, tot seguit, eixugueu-la per a treure tot el greix i les esquitxades d'aliments que hi pugui haver. L'acumulació de greix es pot escalfar en excés i provocar fum o, fins i tot, encendre's.

Neteja

Consells de neteja

Informació per a netejar les juntes de la porta, l'interior i les peces adjacents:

Exterior: Netegeu la porta amb un drap suau i humit.

Porta: Amb un drap suau i humit, netegeu la porta i la finestra.
Netegeu les juntes de la porta i les peces adjacents per a treure esquitxades o vessaments.
Netegeu el tauler de control amb un drap suau i lleugerament humit.

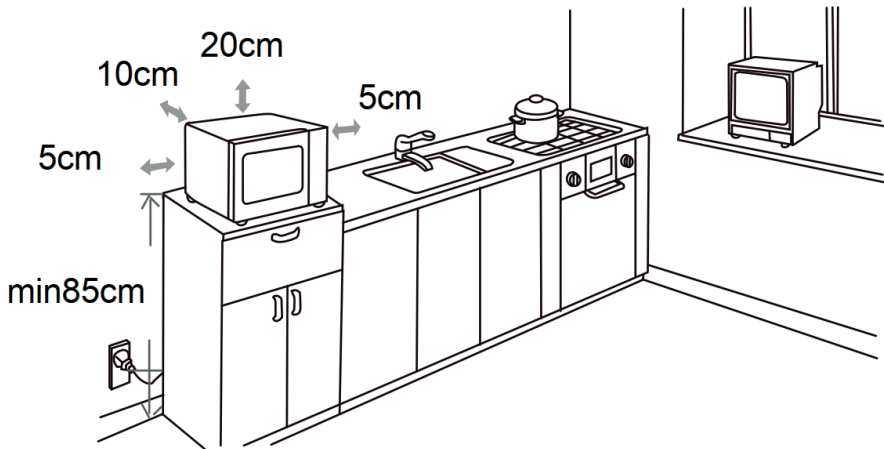
Parets interiors: Netegeu les superfícies interiors amb un drap suau i humit.
Netegeu la tapa de la guia d'ones per a treure els aliments esquitxats.

Plat giratori/Anella d'arrossegament/Eix de rotació:

Renteu-los amb aigua i una mica de sabó.
Esbandiu-los amb aigua neta i eixugueu-los bé.

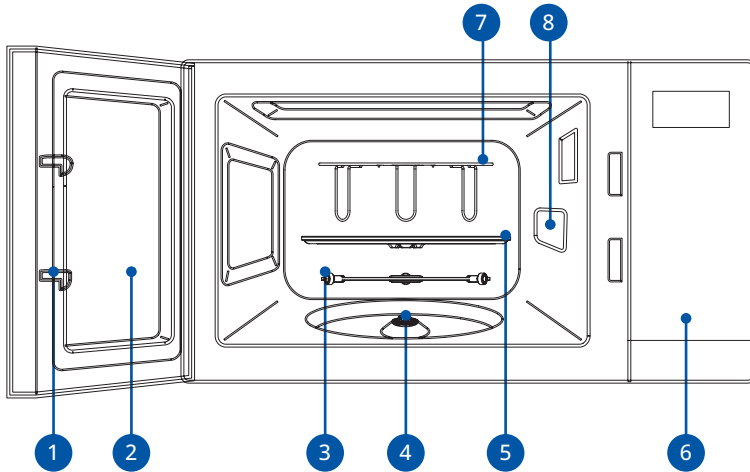
Instal·lació

1. Traieu el forn del seu embalatge. Si està cobert amb una pel·lícula protectora, traieu-la abans de fer-lo servir. Reviseu atentament si té algun dany. Si heu detectat algun dany, notifiqueu-ho immediatament al venedor o envieu-lo al servei tècnic del fabricant.
2. Els microones s'han d'instal·lar en entorns secs i no corrosius, apartats de la calor i la humitat que poden desprendre cremadors de gas o dipòsits d'aigua, per exemple.
3. Per a garantir una ventilació suficient, la distància entre la part posterior del microones i la paret ha de ser d'un mínim de 10 cm, entre el lateral i la paret d'un mínim de 5 cm, i hi ha d'haver una distància mínima de 20 cm a la part superior. La distància entre el microones i el terra ha de ser de 85 cm com a mínim.



4. El forn s'ha d'instal·lar apartat d'un televisor, radio o antena, ja que la imatge es pot distorsionar i produir sorolls. La distància entre aquests dispositius ha de ser de més de 5 m.
5. L'aparell s'ha de col·locar de manera que sigui fàcil accedir a l'endoll. S'ha de garantir una bona connexió a terra en cas de fuites; es pot formar un bucle de massa per a evitar una descàrrega elèctrica.
6. El microones s'ha de fer funcionar amb la porta oberta.
7. El microones no s'ha de col·locar a dins d'un armari. El microones s'ha dissenyat per a fer servir com aparell independent.
8. Atès que hi ha residus o oli de fabricació a dins de la cavitat del forn o en els elements calefactors, l'aparell pot desprendre olor o fins i tot fum. És normal i desapareix al cap d'unes quantes vegades de fer-lo servir, però la porta o les finestres s'han de mantenir obertes per tal de garantir una ventilació adequada. Recomanem col·locar una tassa d'aigua a dins i engegar el forn a potencia alta unes quantes vegades.

Descripció del producte



1. Tancament de la porta

Perquè l'aparell funcioni, la porta del microones ha d'estar tancada correctament.

2. Finestreta de visualització

Permet a l'usuari controlar el procés de cocció.

3. Anella d'arrossegament

El plat giratori de vidre encaixa a les rodetes; suporta el plat giratori i ajuda a mantenir l'equilibri quan gira.

4. Eix de rotació

El plat giratori de vidre encaixa en un eix; el motor que hi ha a sota acciona el plat perquè giri.

5. Plat giratori

Els aliments es col·loquen en el plat giratori; la seva rotació durant el funcionament garanteix que els aliments es coquin de manera uniforme.

PRECAUCIÓ:

Col·loqueu l'anella d'arrossegament. Col·loqueu el plat a l'eix de rotació i comproveu que ha encaixat correctament.

6. Tauler de control

Vegeu la informació següent (el tauler de control està sotmès a canvis sense avís previ).

7. Reixa de gratinat

Es fa servir per a rostir aliments. No es pot fer servir en el mode de microones i s'ha de col·locar a sobre del plat giratori.

8. Tapa de la guia d'ones

Està situada a dins del microones, al costat de la paret del tauler de control.

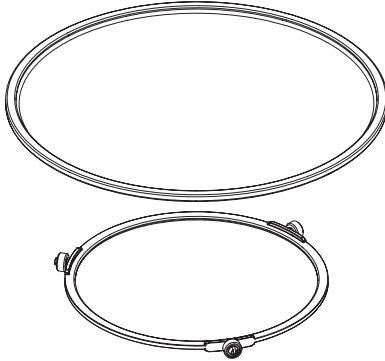
ADVERTÈNCIA:

No s'ha de treure mai.

Accessoris

Conjunt del plat giratori

Plat de cocció de vidre i guia de rodolament

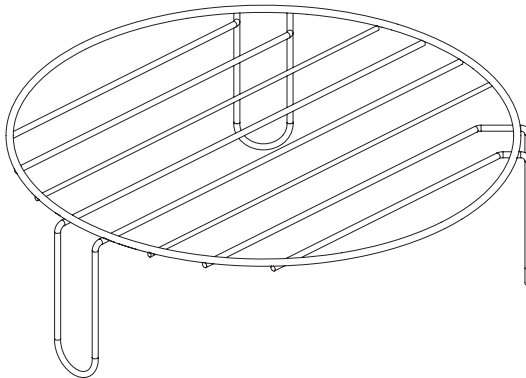


ADVERTÈNCIA:

Feu servir sempre el conjunt del plat giratori per a preparar els aliments a dins de l'aparell.

Reixa de gratinat

Per a gratinar aliments i per una cocció combinada.



ADVERTÈNCIA:


La reixa de gratinat de filferro no s'ha de fer servir en el mode de microones; només es pot fer servir en els modes de cocció de gratinat i combinat (inclou una ràfega curta de microones, que ja està bé). L'ús d'aquesta reixa de gratinat de filferro en el mode de microones pot causar danys a l'aparell.

Funcionament del tauler de control

Abans de cuinar

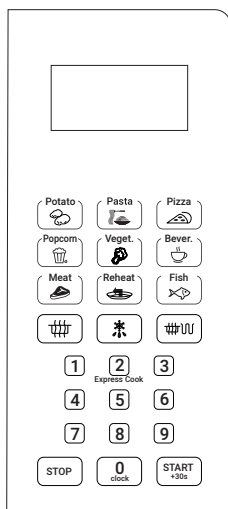
La pantalla s'encén quan s'endolla a la corrent; si està en el mode de repòs, la pantalla mostra 1:00.

Funció de microones

El microones té 10 nivells de potència: 100P, 90P, 80P, 70P, 60P, 50P, 40P, 30P, 20P i 10P, respectivament. Premeu el botó  contínuament i seleccioneu la potència de microones que vulgueu.

Premeu els botons amb els números de l'0 al 9 per configurar el temps de cocció; el temps màxim és 99:99. Un cop introduït el temps de cocció, premeu el botó "START/+30s" perquè comenci a funcionar.

Un senyal acústic avisarà que l'operació s'ha completat.




ALT	Potència del 100 % i del 90 %	Temps de descongelació (cocció ràpida i completa)
Mitjana Alta	Potència del 80 % i del 70 %	(cocció mitjana ràpida)
Mitjana	Potència del 60 % i del 50 %	(cocció al vapor dels aliments)
Mitjana Baixa	Potència del 40 % i del 30 %	(descongelació d'aliments)
Baixa	Potència del 20 % i del 10 %	(conservació dels aliments en calent)

PRECAUCIÓ

- El temps màxim que es pot configurar és de 99 minuts i 99 segons.
- Mai feu servir la reixa de gratinat en el mode de microones.
- Mai feu funcionar el forn si està buit.
- A la potència màxima del microones, el mateix aparell baixarà automàticament la potència al cap de cert temps per tal de protegir-lo i allargar la seva vida útil.
- Si heu de girar els aliments durant el funcionament, premeu el botó Start/+30s una vegada i el procés de cocció continuarà.
- Si voleu treure els aliments abans de l'hora predeterminada, heu de prémer el botó Stop una vegada per esborrar el procediment predefinit i evitar qualsevol operació no desitjada la propera vegada que utilitzeu l'aparell.

Funcionament del tauler de control

Descongelació

Hi ha dos modes de descongelació, dEF1 i dEF2. El mode dEF1 es fa servir per descongelar per pes i el mode dEF2 per temps. Premeu el botó  per seleccionar la descongelació per pes o per temps, i la pantalla mostrarà "dEF1" o "dEF2". Premeu els botons de l'0 al 9 per configurar el pes dels aliments o el temps de descongelació. El rang de pes de dEF1 és de 100 a 1500 g, i el temps màxim que es pot introduir a dEF2 és 99:99. Un cop introduït el número, premeu el botó "START/+30s" per començar el procés. Un senyal acústic avisarà que l'operació s'ha completat. El senyal acústic al mode de descongelació per pes dEF1 us avisarà que cal girar els aliments durant el procés de descongelació.

Exemples de temps de descongelació dels aliments:

dEF1	Per a la descongelació, el pes va de 100 a 1 500 grams.
dEF2	Per a la descongelació, el temps màxim és de 99:99.



PRECAUCIÓ

- Durant l'operació, cal girar anar girant els aliments perquè es descongelin de manera uniforme.
- El procés de descongelació sol ser més llarg que el de cocció.
- Es considera que el procés de descongelació s'ha completat quan els aliments es poden tallar amb un ganivet.
- Les microones penetren en els aliments a una profunditat d'uns 4 cm.
- Els aliments descongelats s'han de consumir tan aviat com sigui possible; no s'aconsella guardar-los a la nevera ni tornar-los a congelar.

Cocció automàtica

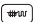
Hi ha 8 paràmetres automàtics: patates, pasta, pizza, crispetes, verdures, begudes, carn i peix. Seleccioneu el botó del menú automàtic que vulgueu i premeu el botó de menú corresponent de forma continuada per a seleccionar el pes dels aliments; el pes es visualitzarà a la pantalla. Premeu el botó "START/+30s" per començar el procés. Un senyal acústic avisarà que l'operació s'ha completat.

Pantalla	Aliment	Mètode
A.1	Patates	Pes opcional: 250 g, 500 g i 750 g.
A.2	Pasta	Pes opcional: 50 g, 100 g i 150 g.
A.3	Pizza	Pes opcional: 200 g i 400 g.
A.4	Crispetes	Pes opcional: 100 g.
A.5	Verdures	Pes opcional: 200 g, 400 g i 600 g.
A.6	Begudes	Pes opcional: 1 tassa, 2 tasses o 3 tasses, cada una d'uns 250 ml.
A.7	Carn	Pes opcional: 200 g, 400 g i 600 g.
A.8	Peix	Pes opcional: 200 g, 400 g i 600 g.

PRECAUCIÓ

- a. La temperatura dels aliments abans de la cocció és de 20-25 °C. Si temperatura dels aliments és superior o inferior abans de la cocció, el temps s'haurà d'allargar o escurçar segons convingui.
- b. La temperatura, pes i forma dels aliments afecta al procés de cocció. Si heu detectat qualsevol desviació en el factor indicat al menú superior, podeu ajustar el temps de cocció per a obtenir un resultat millor.

Gratinador

Hi ha 3 modes de gratinat: G, C-1 i C-2. Aquests són: gratinador, combinació 1 de gratinador i cocció al microones i combinació 2 de gratinador i cocció al microones. Premeu el botó  contínuament, seleccioneu el mode que vulgueu i, tot seguit, premeu els botons amb els números de l'0 al 9 per configurar el temps de cocció; el temps màxim és 99:99. Un cop introduït el temps de cocció, premeu el botó "START/+30s" perquè comenci a funcionar. Un senyal acústic avisarà que l'operació s'ha completat.

G.	Gratinador, l'element calefactor s'activarà durant el funcionament. Es pot fer servir per a trossos de carn prims, salsitxes i ales de pollastre, ja que el gratinador ho daura.
C-1	Combinació de gratinat i cocció al microones: 30 % de microones i 70 % de gratinador.
C-2	Combinació de gratinat i cocció al microones: 55 % de microones i 45 % de gratinador.

PRECAUCIÓ

En el mode de gratinador, totes les parts del forn, a més de la reixa i els recipients de cocció, es poden escalfar molt. Traieu qualsevol element del forn amb precaució. Feu servir agafadors gruixuts o guants de forn per EVITAR CREMAR-VOS.

Reescalfament

La funció de reescalfament es fa servir per facilitar l'escalfament dels aliments segons el seu pes; premeu el botó "Reheat" contínuament per seleccionar el pes (200 g, 400 g, 600 g, 800 g i 1000 g). Un cop introduït el temps de cocció, premeu el botó "START/+30s" perquè comenci a funcionar. Un senyal acústic avisarà que l'operació s'ha completat.

Cocció ràpida

1. En el mode de repòs, podeu prémer els botons de l'1 al 6 directament per engegar el microones. El temps de funcionament es de 1 a 6 minuts; premeu 1 perquè el forn funcioni durant 1 minut, premeu 2 per 2 minuts, etc. Un cop introduït el temps de cocció, premeu el botó "START/+30s" perquè comenci a funcionar. Un senyal acústic avisarà que l'operació s'ha completat.
2. En el mode de repòs, després de col·locar els aliments a dins i tancar la porta, premeu el botó "START/+30s" per engegar el microones immediatament. El temps de funcionament predeterminat és de 30 segons. Durant el procés de cocció, premeu el botó "START/+30s" una vegada durant 30 segons. Un senyal acústic avisarà que l'operació s'ha completat.

Funcionament del tauler de control

0/Clock

La funció del rellotge i del botó "0" es combinen en un sol botó. El rellotge funciona d'acord amb el sistema de 24 hores de la manera següent:

En el mode de repòs, mantingueu premut el botó "0/Clock" durant més de 3 segons per entrar a la interfície de configuració del rellotge. Premeu els botons 0~9 per configurar el temps del rellotge directament i premeu el botó "START/+30s" per confirmar el temps configurat i, al mateix temps, sortir del mode de configuració del rellotge.

STOP

En el mode de cocció, premeu el botó "STOP" per a cancel·lar el paràmetre i tornar al mode de repòs. En el mode de microones, premeu el botó "STOP" per a aturar-lo temporalment. En el mode de repòs, torneu a prémer el botó "STOP" per a cancel·lar la funció i tornar al mode de repòs.

START/+30s

Després de configurar el temps de cocció o el pes, premeu el botó "START/+30s" per iniciar el microones immediatament. Quan l'aparell funciona, premeu el botó "START/+30s" per augmentar el temps de cocció; premeu-lo una vegada per augmentar el temps en 30 segons. En el mode de menú i de descongelació per pes, el temps no es pot ajustar. En el mode de pausa, premeu el botó "START/+30s" per continuar cuinant amb microones abans de la cocció.

Funció de bloqueig infantil

Feu servir aquesta funció per a bloquejar el tauler de control quan estigueu netejant o per a evitar que els menors sense supervisió facin servir el forn. En aquest mode, no hi ha cap botó actiu.

1. Configuració del bloqueig: Mantingueu premut el botó STOP durant 3 segons
2. Cancel·lació del bloqueig: Mantingueu premut el botó STOP durant 3 segons

Pautes per a l'ús d'utensilis

És molt recomanable fer servir recipients adequats i segurs per a cuinar al microones. En general, els recipients de ceràmica, vidre o plàstic resistents a la calor són adequats per cuinar al microones. No feu servir recipients metàl·lics per a la cocció al microones i la cocció combinada, ja que és probable que es produeixin espurnes. Consulteu la taula de referència següent.

Material del recipient	Microones	Gratinador	Combinació	Notes
Ceràmica resistent a la calor	Sí	Sí	Sí	Mai feu servir ceràmica decorada amb metall o esmalt
Plàstic resistent a la calor	Sí	No	No	No es pot fer servir per a coccions al microones llargues
Vidre resistent a la calor	Sí	Sí	Sí	
Pel·lícula de plàstic	Sí	No	No	No s'ha de fer servir si es cuina carn ja que una temperatura excessiva pot fer malbé la pel·lícula
Reixa de gratinat	No	Sí	Sí	La reixa de gratinat es pot fer servir en el mode de gratinat i en el mode combinat.
Recipient metàl·lic	No	No	No	No s'ha de fer servir al microones. Les microones no poden penetrar el metall.
Esmalt	No	No	No	Poca resistència a la calor. No es pot utilitzar per cuinar a alta temperatura
Fusta de bambú i paper	No	No	No	Poca resistència a la calor. No es pot utilitzar per cuinar a alta temperatura

Consells de cocció

Els factors següents poden afectar a la cocció:

Distribució dels aliments

Col·loqueu les parts més gruixudes cap als extrems del plat, i les parts més primes al centre; repartir-los uniformement. Sempre que sigui possible, eviteu sobreposar-los

Temps de cocció

Comenceu la cocció configurant un temps curt, comproveu els aliments un cop acabat el temps i allargueu-lo si és necessari. Si els aliments es couen massa, es poden cremar i generar fum.

Cocció uniforme dels aliments

Els aliments com el pollastre, les hamburgueses o els filets s'han de girar durant el procés de cocció. Segons el tipus d'aliment, remeneu-lo des de l'exterior cap al centre del plat una o dues vegades durant el procés de cocció.

Deixeu-ho reposar

Un cop acabat el temps, deixeu els aliments a dins del forn una estona perquè s'acabi el cicle de cocció i es puguin refredar.

Comproveu si els aliments s'han cuinat bé

Comproveu el color i la consistència dels aliments per a determinar si estan correctes. Comproveu si:

- Surt vapor de tot el plat, no només de les vores.
- Les articulacions de les aus es poden treure fàcilment.
- No hi ha restes de sang a la carn de porc o d'aviram.
- El peix és opac i es pot tallar fàcilment amb una forquilla.

Safata de rostir

Si feu servir una safata de rostir o un recipient d'autoescalfament, col·loqueu sempre a sota un aïllant resistent a la calor com, per exemple, un plat de porcellana, per evitar fer malbé el plat giratori i l'anella d'arrossegament.

Embolcall de plàstic apte per a microones

Quan cuineu aliments rics en greixos, no deixeu que l'embolcall de plàstic entri en contacte amb els aliments, ja que es pot fondre.

Estris de cuina de plàstic aptes per al microones

Pot ser que alguns estris de cuina de plàstic aptes per al microones no siguin adequats per cuinar aliments amb alt contingut de greixos i sucre. A més, no s'ha de superar el temps d'escalfament previ especificat al manual d'instruccions del plat.

Manteniment

Servei tècnic

Comproveu el següent abans de posar-vos en contacte amb el departament de servei tècnic:

1. Col·loqueu una tassa d'aigua (150 ml aprox.) en un recipient de vidre a dins del forn i tanqueu bé la porta. El llum de dins s'hauria de tancar si la porta està ben tancada. Enceneu el forn durant 1 minut.
2. La bombeta del forn funciona?
3. El ventilador funciona? (Poseu la mà a sobre de les obertures de ventilació posteriors).
4. El plat gira? (El plat pot girar cap a la dreta o cap a l'esquerra. Ambdues direccions són normals).
5. L'aigua de dins el forn està calenta?

Si la resposta a alguna de les preguntes anteriors és "NO", comproveu la presa de corrent i el fusible.

Si tant la presa de corrent com el fusible funcionen correctament, **POSEU-VOS EN CONTACTE AMB EL SERVEI TÈCNIC OFICIAL MÉS PROPER**

Garanties de servei

ADVERTÈNCIA: RADIACIÓ DEL MICROONES:

1. El condensador d'alta tensió segueix carregat després de desconnectar l'aparell; provoqueu un curtcircuit al terminal negatiu del condensador d'alta tensió al xassís del forn (utilitzeu un tornavís) per a descarregar-lo abans de tocar-lo.
2. Durant les tasques de servei/repació, es poden treure les peces que s'indiquen a continuació i donar accés a potencials superiors a 250 V a terra.
 - Magnetró
 - Transformador d'alta tensió
 - Condensador d'alta tensió
 - Díode d'alta tensió
 - Fusible d'alta tensió
3. Les condicions següents poden provocar una exposició indeguda a les microones durant el manteniment.
 - Col·locació incorrecta del magnetró.
 - Coincidència incorrecta del bloqueig de la porta, la frontissa de la porta i la porta.
 - Col·locació incorrecta del suport de l'interruptor.
 - S'ha fet malbé la porta, el segell de la porta o la carcassa.

Especificacions

Model	FA202G/FA207G	FA252G/FA257G
Consum energètic	230 V, 50 Hz, 1100 W	230 V, 50 Hz, 1320 W
Potència de sortida	700 W	850 W
Graella	800 W	1000 W
Freqüència de funcionament	2450 MHz	
Mides exteriors (Am.) x (Al.) x (Pr.)	456 x 353 x 264	480 x 381 x 292,5
Capacitat del forn	20 L	25 L
Plat giratori	255 mm	285 mm
Pes	11.3 kg/11,5 kg	13,1 kg/13.6 kg

Tots els dibuixos són il·lustratius i poden diferir de l'aparença del dispositiu real.



Eliminació correcta d'aquest producte

Aquest símbol indica que a la UE, aquest producte no s'ha de llençar juntament amb altres residus domèstics. Per evitar possibles danys al medi ambient o a la salut humana a causa de l'eliminació incontrolada de residus, cal reciclar-lo de manera responsable per promoure la reutilització sostenible dels recursos materials. Per retornar l'aparell usat, utilitzeu els sistemes de devolució i recollida, o poseu-vos en contacte amb el proveïdor a qui vàreu comprar el producte. Poden reciclar aquest producte d'una manera segura per al medi ambient.

GARANTIA

Heu comprat un electrodomèstic de gran qualitat de la marca Daewoo.

El vostre nou electrodomèstic s'ha fabricant, amb la màxima cura, en una de les línies de producció més grans i modernes d'Europa i ha passat per diversos controls de qualitat.

En cas d'averia, aquest electrodomèstic queda cobert per una ampla garantia i amb una senzilla trucada us podeu posar en contacte amb la xarxa oficial del Servei Tècnic.

Durant el període de garantia que marca la llei des del moment de la compra (és imprescindible el tiquet de compra o la factura) aquesta garantia cobreix el desplaçament, la mà d'obra i les peces per a la reparació de l'electrodomèstic, segons les condicions especificades en aquest document.

A Daewoo volem que estigueu satisfets amb el vostre nou electrodomèstic. Per evitar que es produeixin danys a l'electrodomèstic, us recomanem que llegiu atentament el manual d'instruccions i els consells.

EXCLUSIÓ DE LA GARANTIA

- Averies produïdes per cops, caigudes o qualsevol altra causa de força major.
- Els esmaltats, niquelats, cromats, oxidacions i altres peces que no afectin al funcionament intern de l'electrodomèstic (peces o components estètics).
- El desgast per ús, la corrosió i l'oxidació, causats pel mal ús o desgast de l'electrodomèstic o accelerats per circumstàncies ambientals o climàtiques no favorables, sorra, pols o notòriament inadequades.
- Averies produïdes a conseqüència d'un ús anormal, negligent o inadequat de l'electrodomèstic o per qualsevol tipus d'origen extern.
- Responsabilitats civils de qualsevol naturalesa.
- Danys provocats a l'electrodomèstic, sempre que no s'hagin degut a una averia interna de funcionament.
- Manteniment o conservació de l'electrodomèstic: neteja de filtres, revisions periòdiques, ajustaments i greixatges. Les despeses originades per danys, defectes o averies produïdes com a conseqüència de la instal·lació incorrecta de l'equip, retocs, reparacions, modificacions, desmuntatge de la instal·lació de l'electrodomèstic per part d'un tècnic no autoritzat de Daewoo – SAT Oficial, o com a resultat d'un incompliment manifest de les instruccions d'ús i manteniment del fabricant, així com una ventilació inadequada, modificacions no apropiades o utilització de peces no originals.
- Les averies que tinguin el seu origen o siguin conseqüència directa o indirecta de fenòmens de la naturalesa o meteorològics de caràcter extraordinari o catastròfic (inundacions, fenòmens o moviments sísmics, huracans, tempestes).
- Equips que es facin servir per a ús industrial o finalitats comercials.
- Electrodomèstics amb factura il·legible o modificada.
- La garantia queda sense efecte, en cas de rebuig de la reparació no coberta per la garantia durant el seu període de vigència o per impagament al Servei Tècnic.

DAEWOO

Importer: Vestel Holland B.V.
Stationsplein 45 A2.191
3013 AK Rotterdam The Netherlands

www.daewooelectronics.com